

PASSENGER'S SIDE COMPARTMENTS CONTAIN THE FOLLOWING:

COMPARTMENT P1 CONTAINS:

- (1) ELECTRIC COOD REEL W/200' OF 1/2" YELLOW CORD
- (1) 22" OP ADJ SHELF
- (1) TOW AVANT 3.1 CU.FT. REFRIGERATOR
- (1) RACK FOR 14 SCUB BOTTLES
- (1) RACK FOR 6 FIRE EXTINGUISHERS
- (1) SLIDE OUT ROLLER GUIDE

COMPARTMENT P2 CONTAINS:

- (1) 22" OP SLIDE OUT/TILT TRAY
- (1) 22" OP ADJ SHELF

COMPARTMENT P3 CONTAINS:

- (3) 85.2-WAY SLIDE OUT TOOLBOARDS
- (1) HORIZONTAL FLOOR EXTENSION

COMPARTMENT P4 CONTAINS:

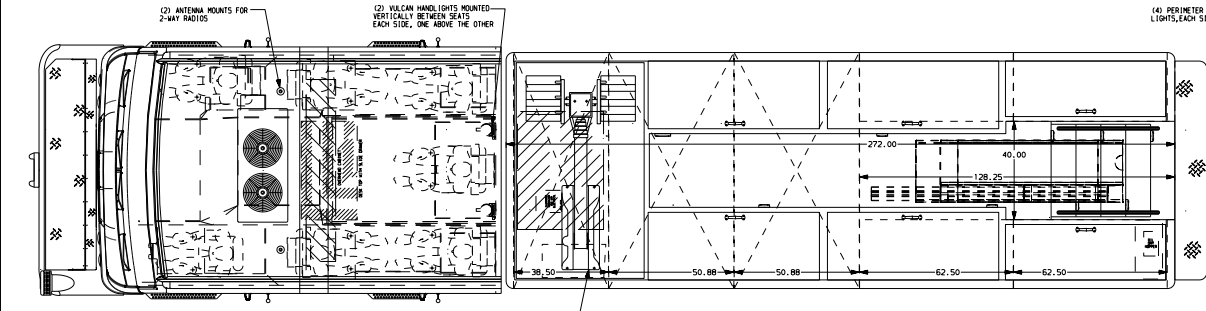
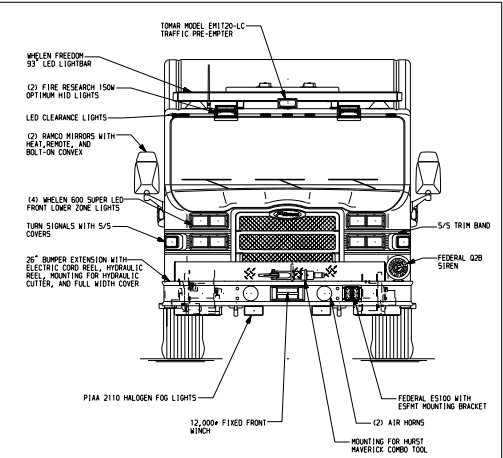
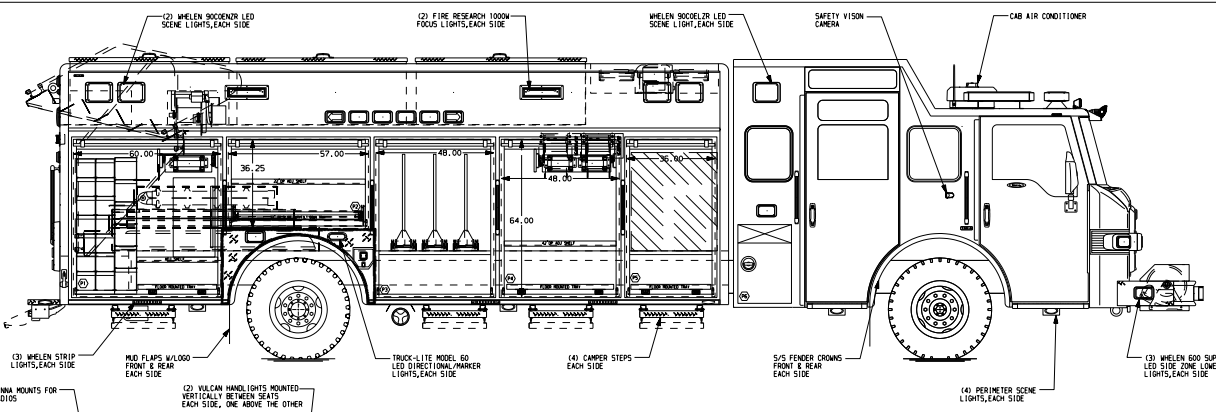
- (1) 42" OP ADJ SHELF
- (1) FLOOR MOUNTED TRAY
- (1) HARST HYDRA LIC REEL W/100' OF HOSE
- (1) MOUNTING PROVISIONS FOR 3 CUSTOMER INSTALLED HYDRA LIC REELS
- (1) SLIDE OUT ROLLER GUIDE

COMPARTMENT P5 CONTAINS:

- (1) HORIZONTAL FLOOR EXTENSION
- (1) FIRE SOLUTIONS BR-60 COPS SYSTEM
- (1) FLOOR MOUNTED TRAY

COMPARTMENT P6 CONTAINS:

- (1) FLOOR MOUNTED TRAY



REAR COMPARTMENT CONTAINS THE FOLLOWING:

COMPARTMENT R1 CONTAINS:

- (1) STOKES BASKET RACK
- (1) RACK FOR 3 BACKBOARDS
- (1) RACK FOR 3 PIPE POLES
- (1) RACK FOR LITTLE STANT LADDER

COMPARTMENT R2 CONTAINS:

- (1) FLOOR MOUNTED TRAY

DRIVER'S SIDE COMPARTMENTS CONTAIN THE FOLLOWING:

COMPARTMENT D1 CONTAINS:

- (1) AIR ACTUATED OIL DRY HOPPER
- (2) 22" OP ADJ SHELF
- (1) ELECTRIC COOD REEL W/200' OF 1/2" YELLOW CORD
- (1) SLIDE OUT ROLLER GUIDE
- (1) CARGO RETENTION NETTING

COMPARTMENT D2 CONTAINS:

- (1) 42" OP ADJ SHELF
- (1) FLOOR MOUNTED TRAY
- (1) HARST HYDRA LIC REEL W/100' OF HOSE
- (1) MOUNTING PROVISIONS FOR 3 CUSTOMER INSTALLED HYDRA LIC REELS
- (1) SLIDE OUT ROLLER GUIDE

COMPARTMENT D3 CONTAINS:

- (3) 85.2-WAY SLIDE OUT TOOLBOARDS
- (1) HORIZONTAL FLOOR EXTENSION
- (1) FLOOR MOUNTED TRAY

COMPARTMENT D4 CONTAINS:

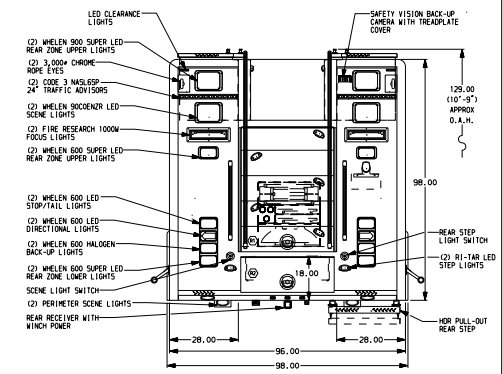
- (1) 42" OP ADJ SHELF
- (1) FLOOR MOUNTED TRAY
- (1) HARST HYDRA LIC REEL W/100' OF HOSE
- (1) MOUNTING PROVISIONS FOR 3 CUSTOMER INSTALLED HYDRA LIC REELS
- (1) SLIDE OUT ROLLER GUIDE

COMPARTMENT D5 CONTAINS:

- (1) HORIZONTAL FLOOR EXTENSION
- (1) FIRE SOLUTIONS BR-60 COPS SYSTEM
- (1) CIRCUIT BREAKER PANEL
- (1) GENERATOR METER PANEL
- (1) SCUBA AIR MOUNTING
- (1) POLY HOSE TRAY FOR 100' OF 1.5" HOSE

COMPARTMENT D6 CONTAINS:

- (1) FLOOR MOUNTED TRAY



NOTE:

DIMENSIONS SHOWN ARE APPROXIMATE AND ARE SUBJECT TO MINOR DEVIATIONS AS MAY OCCUR OR BE NECESSARY IN CONSTRUCTION. MINOR DETAILS NOT SHOWN.

- NOTES:**
- AIR INLET WITH DISCONNECT COUPLING LOCATED IN THE DRIVER'S SIDE LOWER CAB STEP WELL
 - ONPOT AUTOMATIC FIRE CHAINS LOCATED UNDER REAR WHEELS
 - FLOOR IN CAB AND OVER CAB TO BE PADDED RUBBER
 - ALUMINUM WORK SURFACE LOCATED NEXT TO OFFICER'S SEAT
 - S/S SCUFFPLATES ON ALL CAB DOOR JAMBS
 - FIRE-COM WIRELESS INTERCOM SYSTEM IN CAB
 - 9.000 AMP W/INCH
 - KUSSMAUL PUMP PLUS 1200 CHARGER LOCATED BEHIND DRIVER'S SEAT
 - RESCUE CAMERA SYSTEM LOCATED IN CAB
 - ALUMINUM TREADPLATE ON REAR FENDER PANELS
 - (3) 9,000W THE DONKS FOR RECEIVER TUBES
 - S/S GUARDS ON ALL WHEEL-UP BODYS
 - S/S SCUFFPLATES ON INSIDE OF CAB COMPARTMENTS D6, D5
 - DATASCREEN MOUNTING IN ALL SIDE BODY COMPARTMENTS AND SHELVES
 - AMOR LED LIGHTS IN ALL COMPARTMENTS INCLUDING WATCH COMPARTMENTS
 - ONAN 350W SINGLE PHASE PTO DRIVER GENERATOR WITH SPLASH GUARD LOCATED BETWEEN THE FRAME RAILS

FRONTAL IMPACT PROTECTION
SIDE ROLL PROTECTION

CUSTOMER APPROVAL	
APPROVED BY:	
DATE:	
REV	DATE
BY	CH
	VXB420

Pierce MANUFACTURING INC.		JOB NO.	22708
		SCALE	1:24
		DATE	
TITLE	HEAVY DUTY RESCUE NON-WALKIN	DRAWN BY	DHE
FOR	RESCUE HOSE COMPANY GREENCASTLE, PA	CHECKED BY	AZU
DWG NO.	22708AD	DATE	17SEP09
			22SEP09
		SHEET SIZE	D
		SHEET NO.	1 of 1