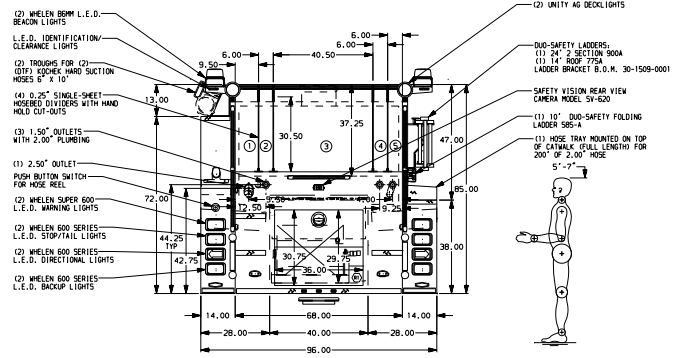
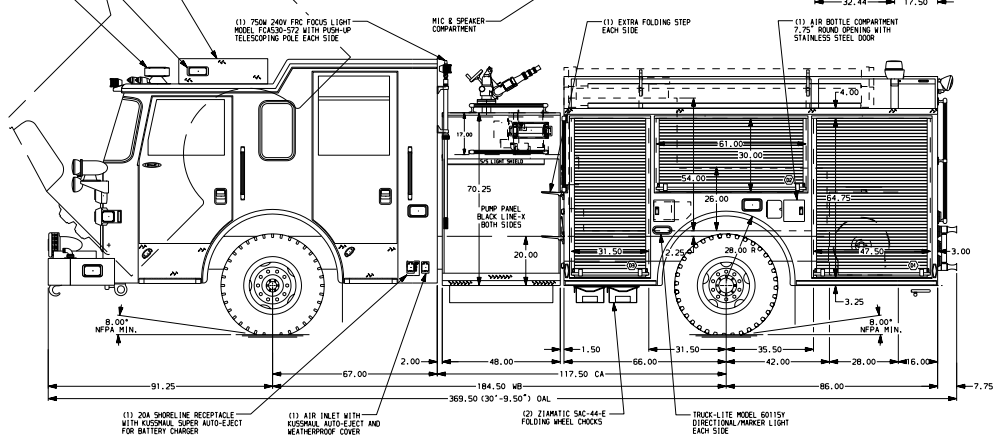


- HOSEBED CAPACITIES**
- ① 300' OF 2.50" O.D. HOSE
  - ② 300' OF 1.75" O.D. HOSE
  - ③ 1300' OF 5.00" O.D. HOSE
  - ④ 300' OF 1.75" O.D. HOSE
  - ⑤ 300' OF 1.75" O.D. HOSE



**ALUMINUM BODY**

**SIDE ROLL PROTECTION**

**NOTE**  
DIMENSIONS SHOWN ARE APPROXIMATE AND ARE SUBJECT TO MINOR DEVIATIONS AS MAY OCCUR OR BE NECESSARY IN CONSTRUCTION.  
MINOR DETAILS NOT SHOWN.

1. MUDFLAPS WITHOUT LOGS LOCATED FRONT AND REAR
2. SIXTY FENDER CHOCKS LOCATED FRONT AND REAR
3. MOUNTING BASES FOR ANTENNAS LOCATED PER SAMP ORDER
4. COSMOL BATTERY CHARGER LOCATED IN CROW CAB SEAT RISER
5. SAFETY PROTECTIVE GUARD FOR ROLL-UP DOOR LOCATED IN COMPARTMENT 01, 02, 03, P1 & P2
6. ONE HANNAY ELECTRIC REMIND BOOSTER REEL MODEL EPK-36-24 LOCATED IN COMPARTMENT A1 WITH 1/2" HP MOTOR AND 200' OF 1.00" HOSE WITH AKRON 1700P NOZZLE
7. BRIMMER SCENE LIGHTS LOCATED PER SAMP ORDER
8. CIRCUIT BREAKER PANEL IN COMPARTMENT 03
9. ONE HANNAY ELECTRIC REMIND CORD REEL MODEL 1818-17-18 LOCATED IN D.S. CARGO WITH 200' OF 10/4 CABLE AND AKRON E18 JUNCTION BOX WITH HOLDER

| CUSTOMER APPROVAL |           |
|-------------------|-----------|
| APPROVED BY:      |           |
| DATE:             |           |
| CHASSIS DATA      | TITLE     |
| MAKE              | FOR       |
| MODEL             | ASTON, PA |
| REV               | DWG NO.   |
| DATE              |           |
| BY                |           |
| CH                |           |
| AX6710            |           |

|                                  |  |            |           |
|----------------------------------|--|------------|-----------|
| <b>Pierce MANUFACTURING INC.</b> |  | JOB NO.    | 22596     |
|                                  |  | SCALE      | DATE      |
|                                  |  | 1:24       |           |
|                                  |  | DRAWN BY   | 03AUG09   |
|                                  |  | CHECKED BY | 05AUG09   |
|                                  |  | SHEET SIZE | SHEET NO. |
|                                  |  | D          | 1 of 1    |

22596AD