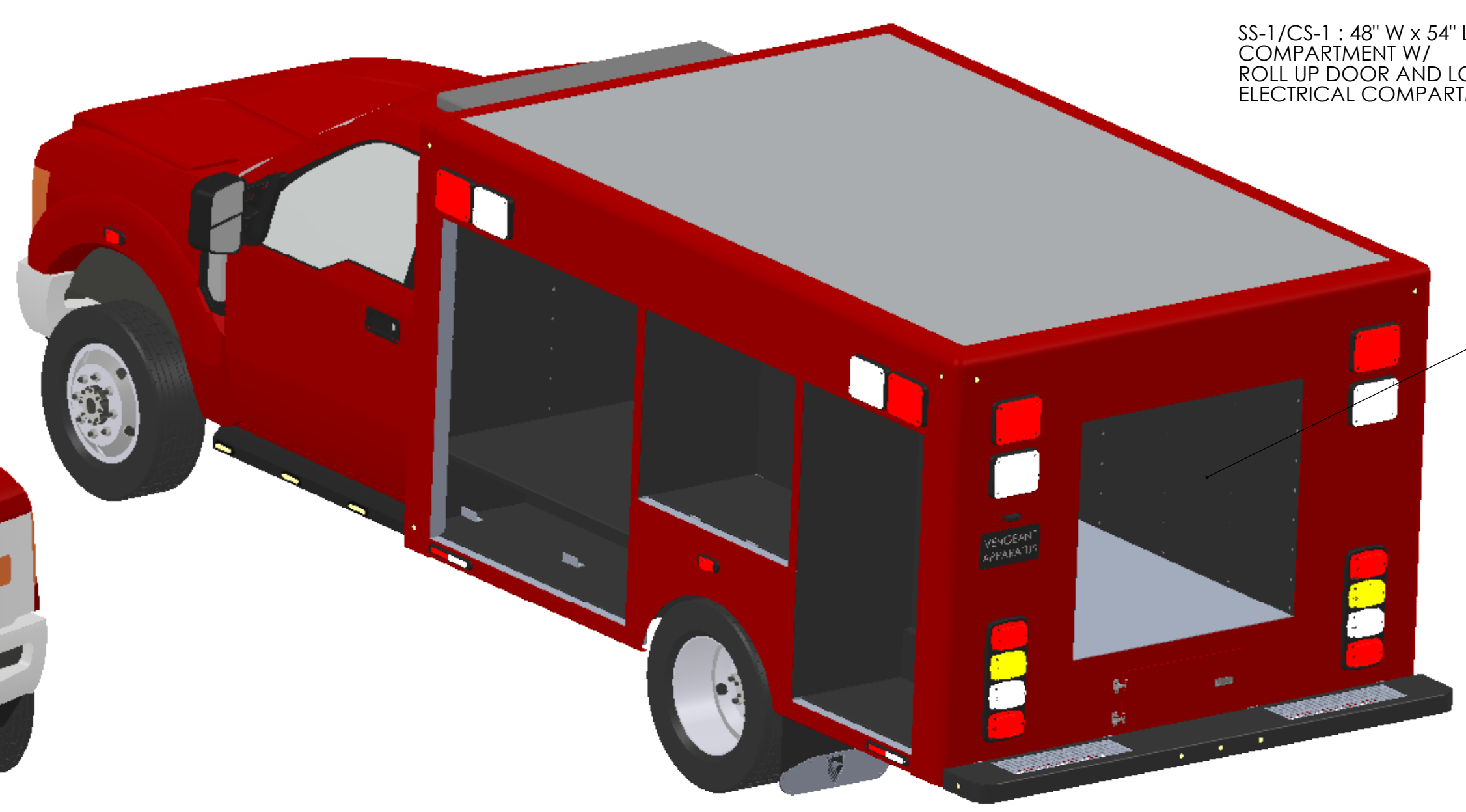
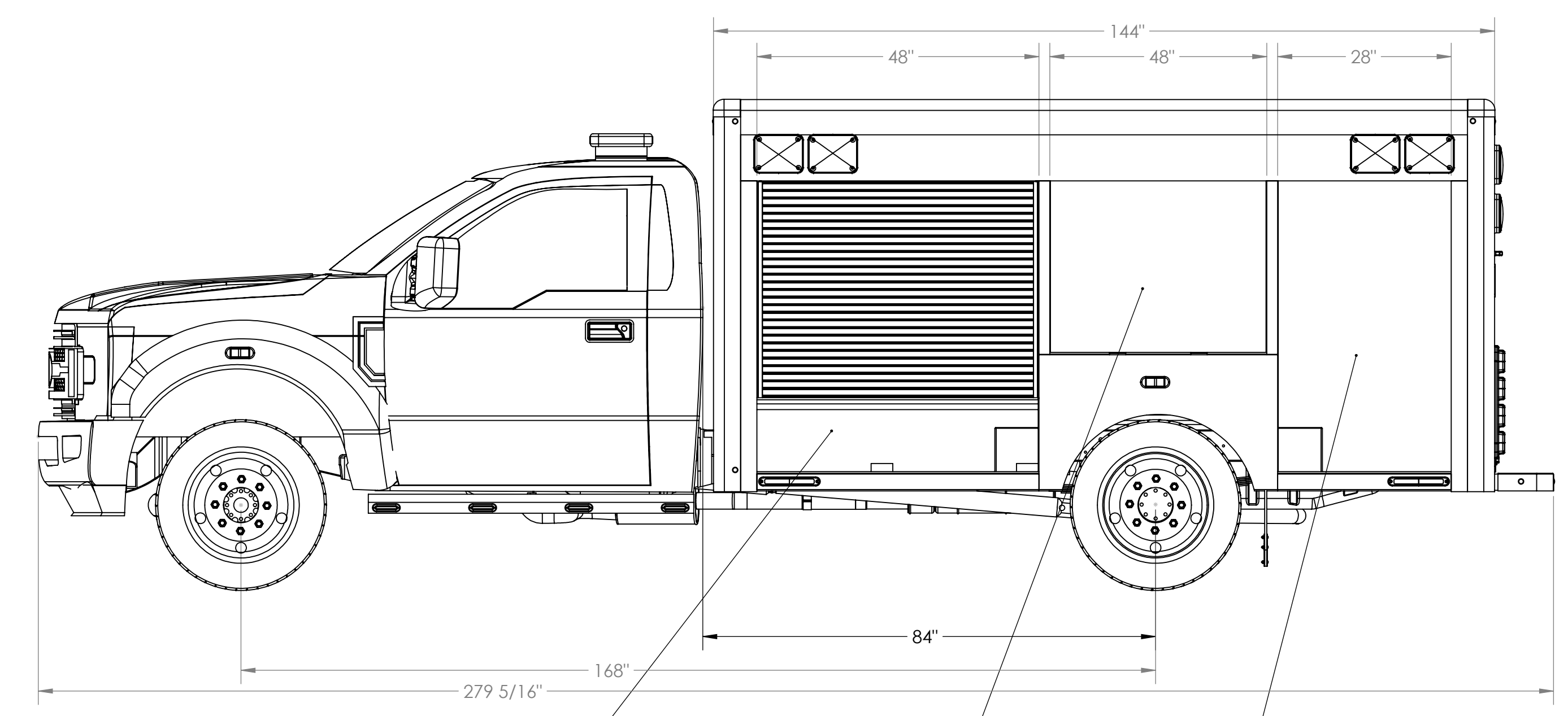
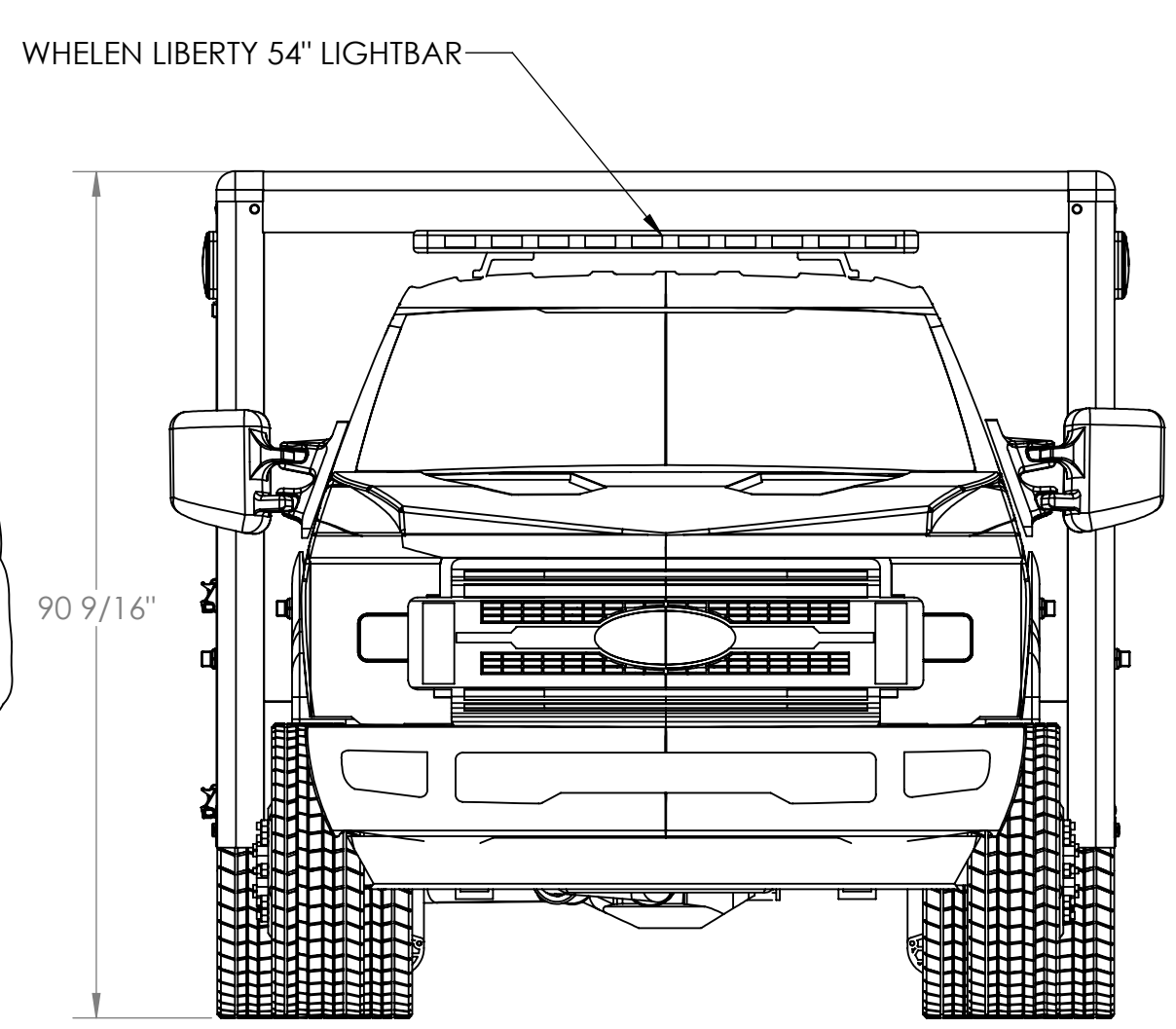
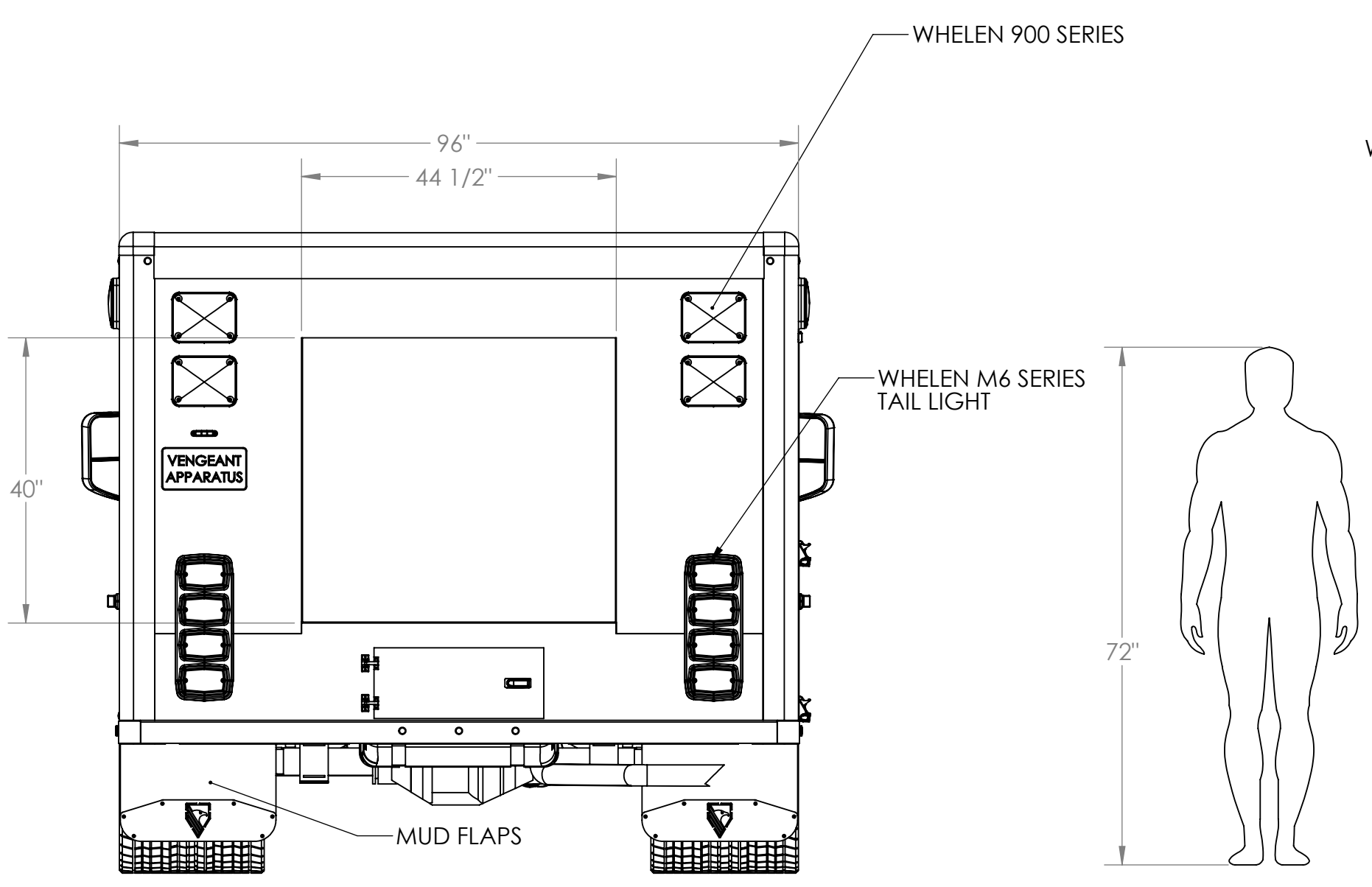
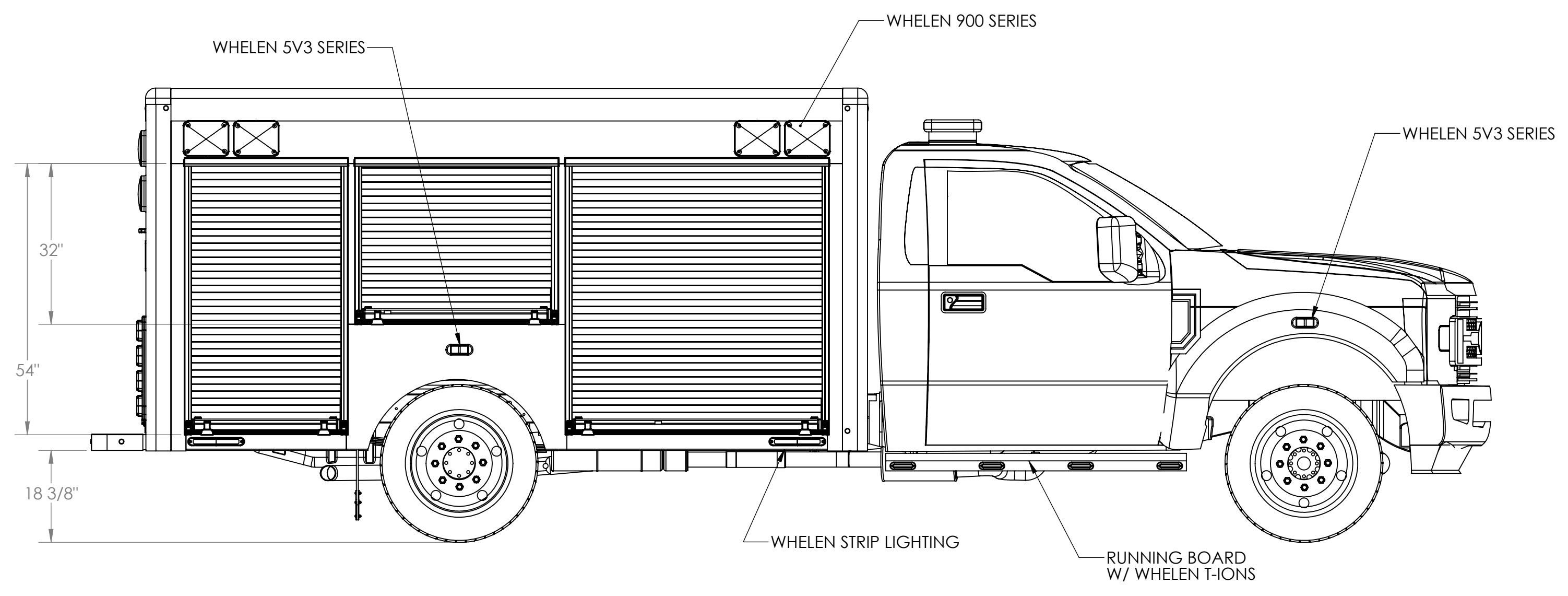


8 7 6 5 4 3 2 1



SS-1/CS-1 : 48" W x 54" L x XVERSE COMPARTMENT W/ ROLL UP DOOR AND LOWER ELECTRICAL COMPARTMENT

SS-2/CS-2 : 48" W x 32" L x 23" DEEP COMPARTMENT W/ ROLL UP DOOR

SS-3/CS-3 : 28" W x 54" L x 23" DEEP COMPARTMENT W/ ROLL UP DOOR

R-1 : 44 1/2" W x 40" L x 82" DEEP REAR COMPARTMENT W/ ROLL UP DOOR

FOR REFERENCE PURPOSES ONLY
 ANY DISCREPANCIES BETWEEN DRAWING AND SPEC. REFER TO SPEC.
 DIMENSIONS SUBJECT TO CHANGE IF A DESIGN CHANGE IS MADE

REV		CHANGE	NAME	DATE	MATERIAL	VENGEANT APPARATUS	
REVISIONS						DESCRIPTION	
						VENGEANT APPARATUS	
						SPECIFICATION SHEET	
						SIZE	DWG. NO.
						D	OLD TAPPAN
						SCALE: 1:20	WEIGHT:
							SHEET 1 OF 1

8 7 6 5 4 3 2 1