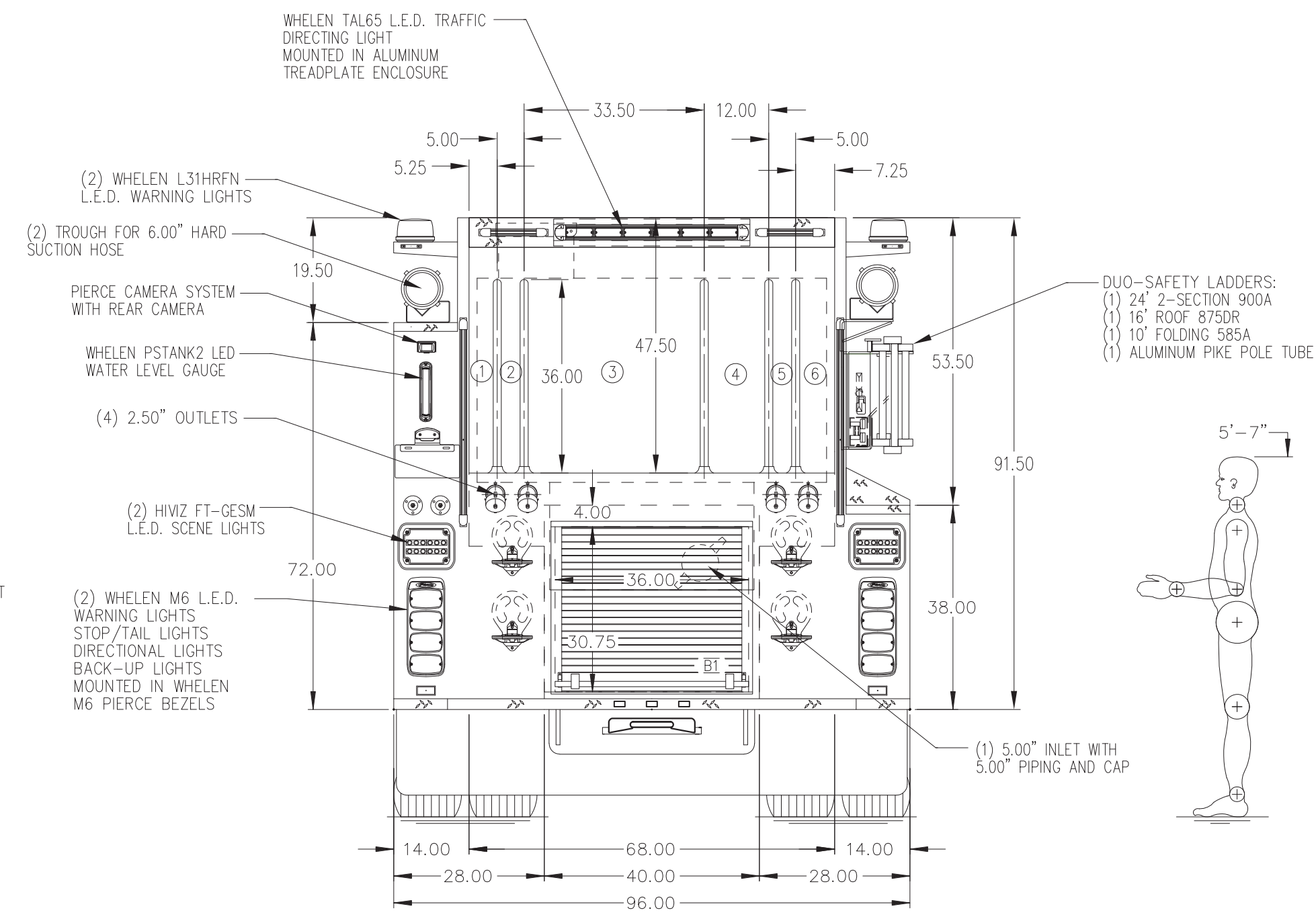
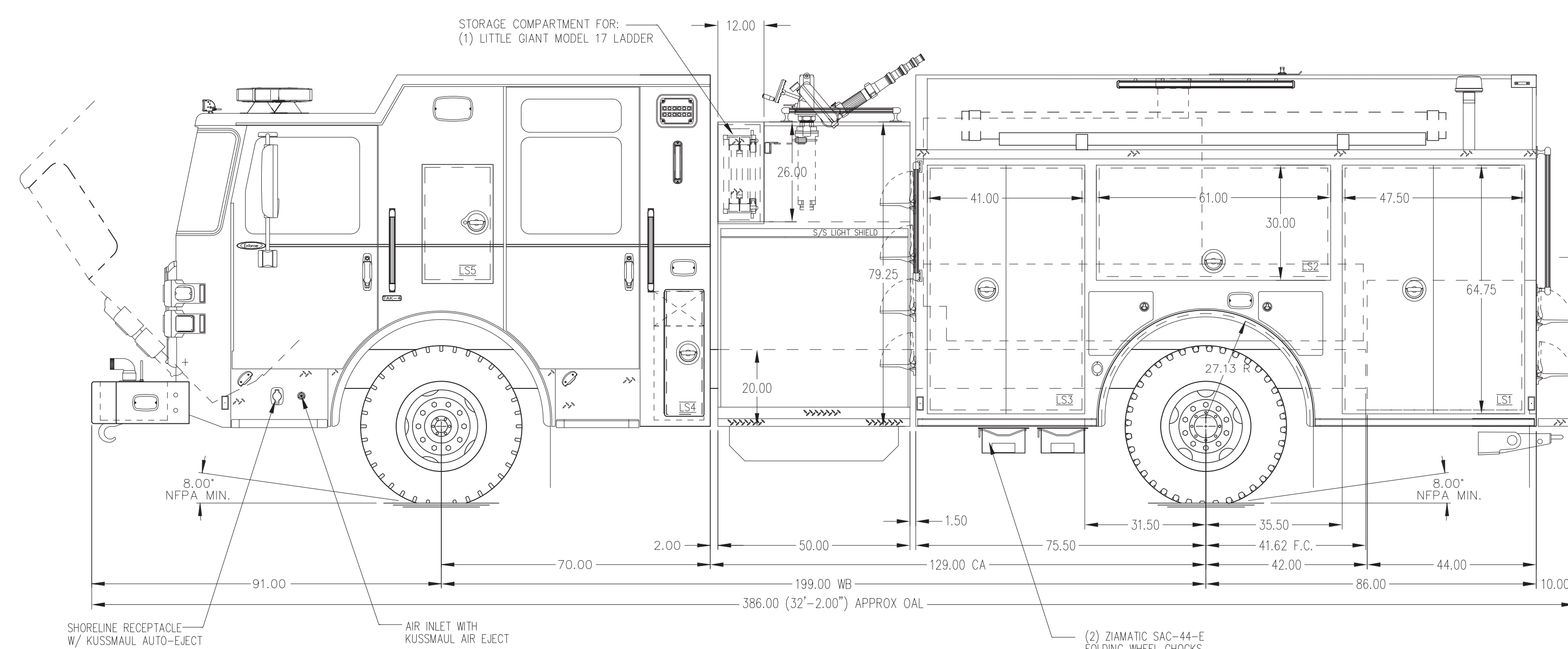


- HOSEBED CAPACITIES
- ① - 300' OF 2.50\"/>



ALUMINUM BODY

SIDE ROLL AND FRONTAL IMPACT PROTECTION

NOTE  
DIMENSIONS SHOWN ARE APPROXIMATE AND ARE SUBJECT TO MINOR DEVIATIONS AS MAY OCCUR OR BE NECESSARY IN CONSTRUCTION. MINOR DETAILS NOT SHOWN.

REV	DATE	BY	CH	ENFORCER
08SEP22	KRG	-		PIERCE
25AUG22	KRG	-		MODEL

<b>PIERCE</b> MANUFACTURING INC.	PROPOSAL	734
	SCALE	DATE
TITLE	DRAWN BY	08JUN2022
FOR	CHECKED BY	N/A
DWG NO.	SHEET SIZE	SHEET NO.
		1 OF 1