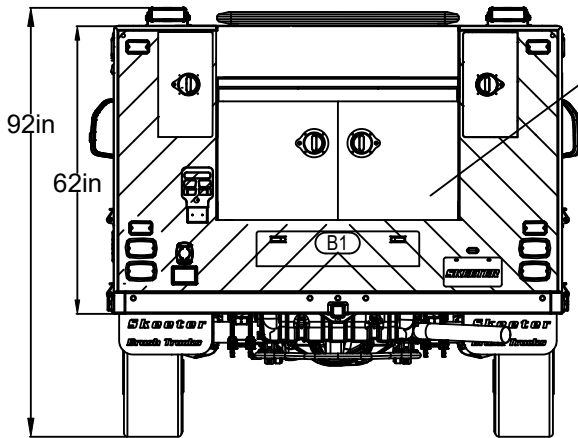
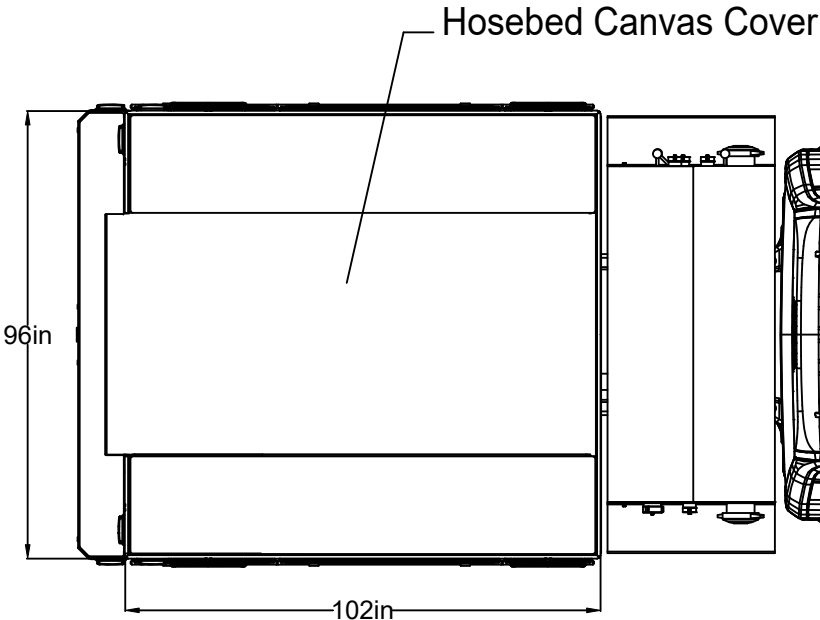


GLICK FIRE DEMO UNIT 1250 GPM MINI PUMPER SKEETER EMERGENCY VEHICLES

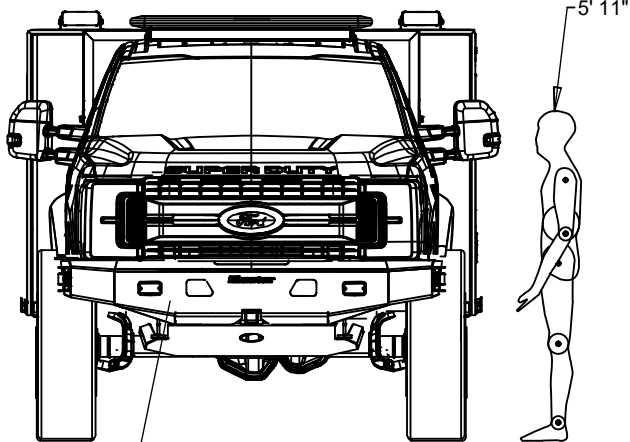
300 Gallons Water



Rear Center Compartment
w/Hose Reel



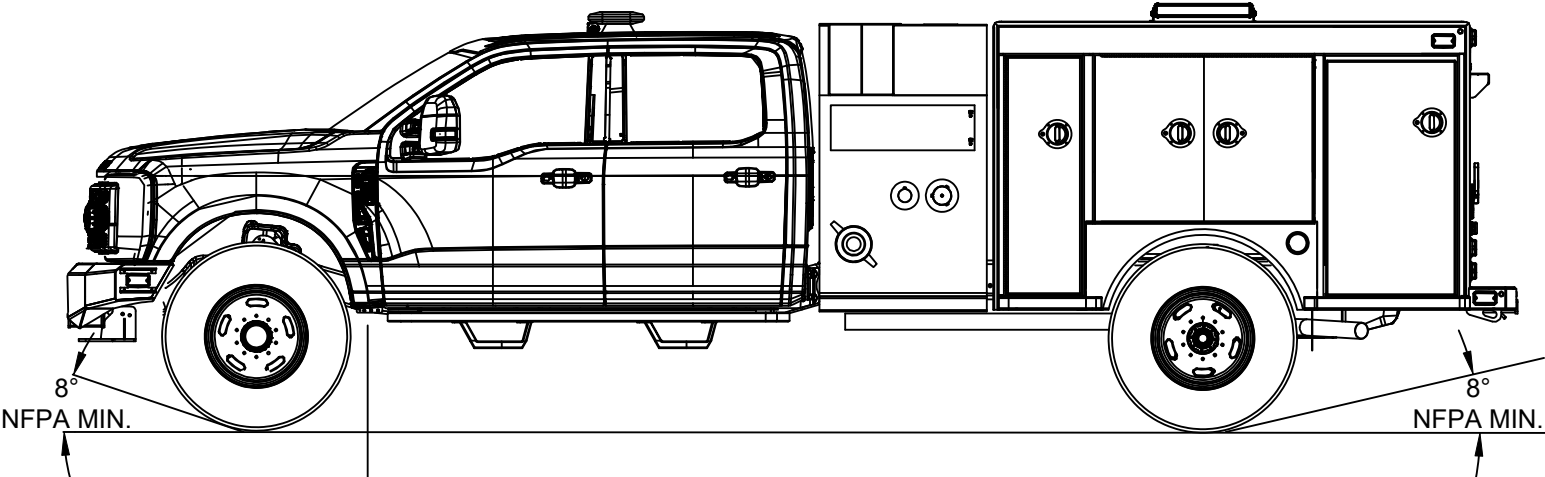
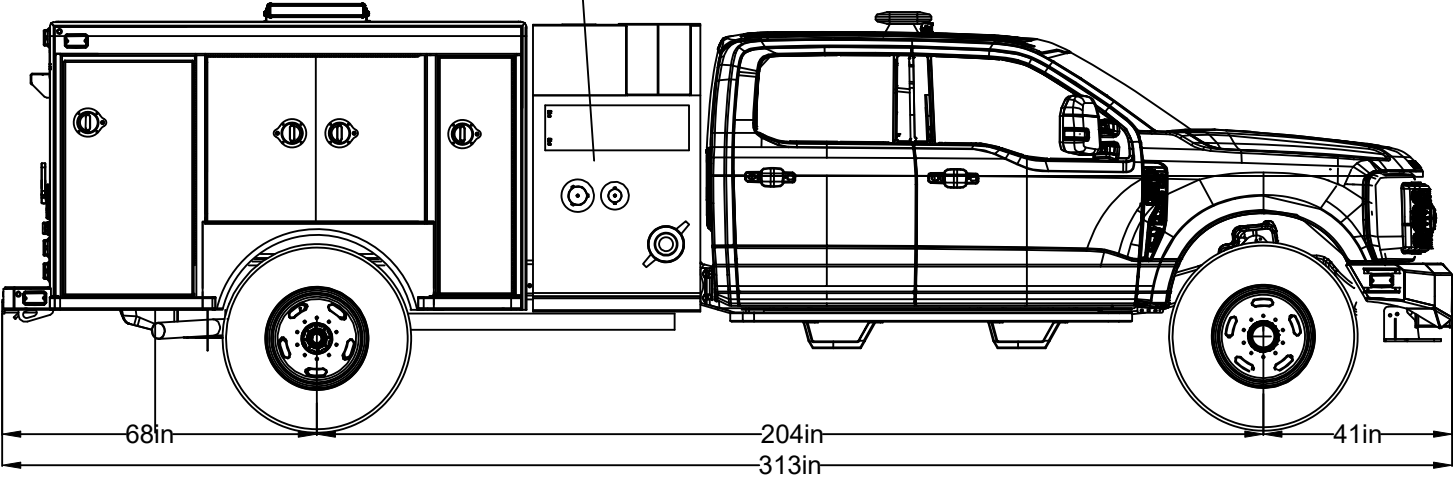
Hosebed Canvas Cover



Skeeter Custom Bumper

***The estimated payload
(passengers + cargo) is equal to
1900lb.***

Darley PSM
1250 Module



PROPERTY OF
SKEETER EMERGENCY VEHICLES

NOT FOR PRODUCTION. SOME FEATURES AND DIMENSIONS SUBJECT TO CHANGE.

NOTE: DETAILS AND DIMENSIONS SHOWN ARE APPROXIMATE
AND ARE SUBJECT TO CHANGE AS MAY
OCCUR OR BE NECESSARY IN CONSTRUCTION
NOT ALL FEATURES ARE SHOWN

PREPARED FOR:

GLICK FIRE DEMO

TITLE:

PRELIMINARY OVERVIEW

DRAWN BY:
ALONDRA P.
SPEC DATE:
6/17/2024

SPEC #:
1425
SHEET 1 OF 1