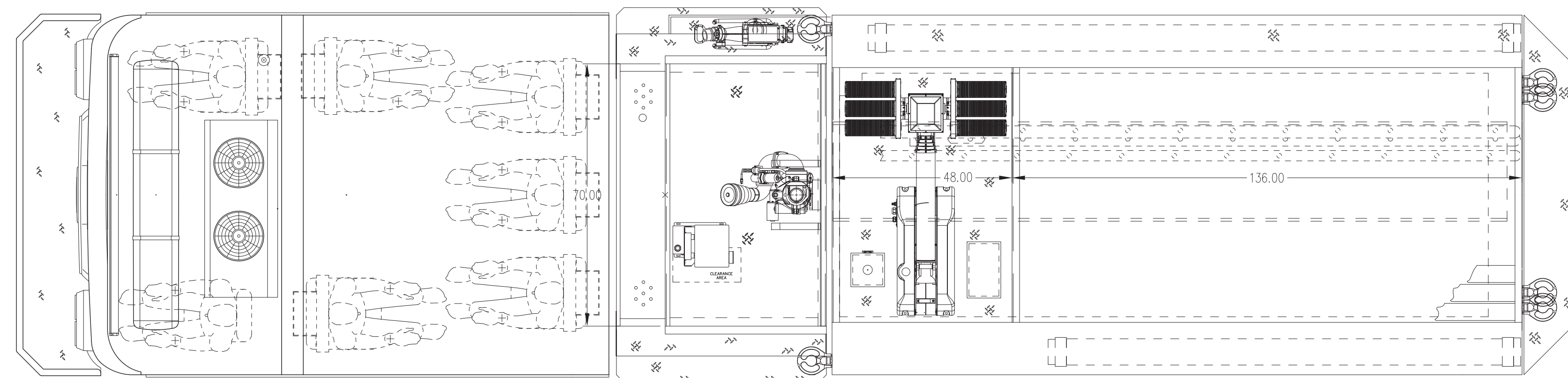
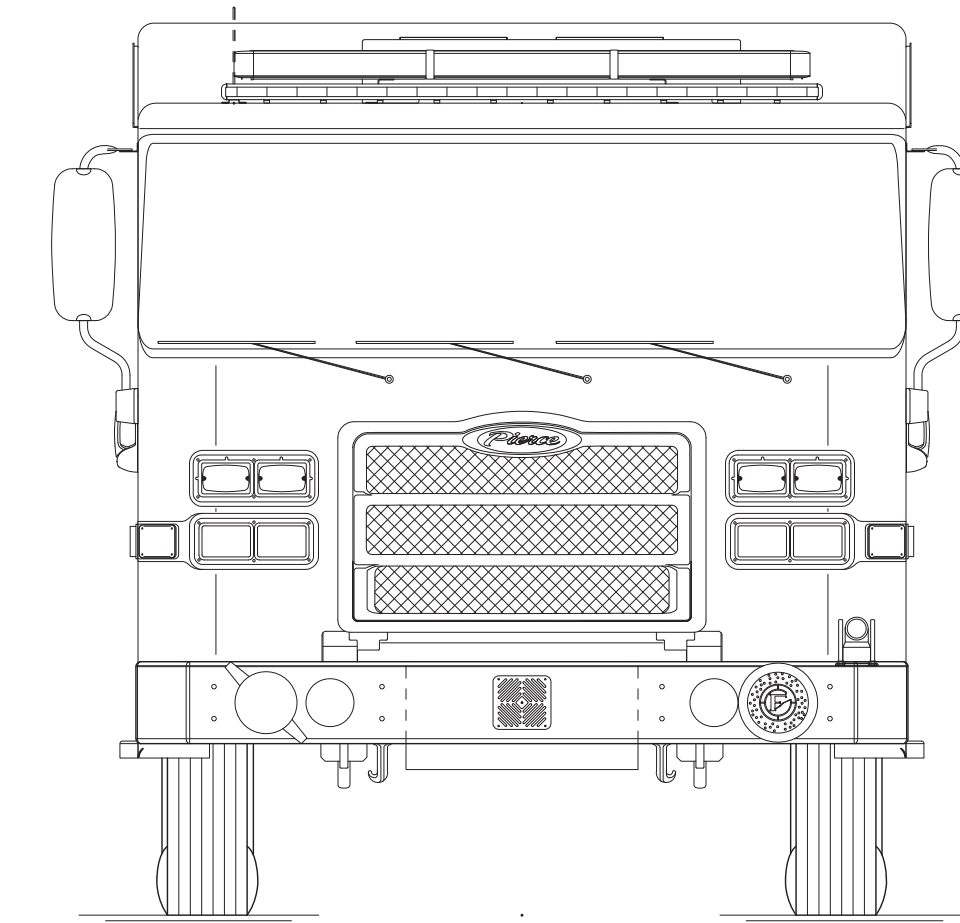
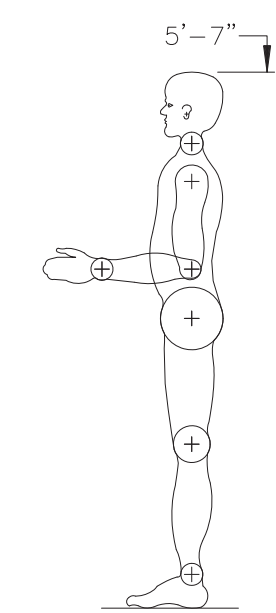
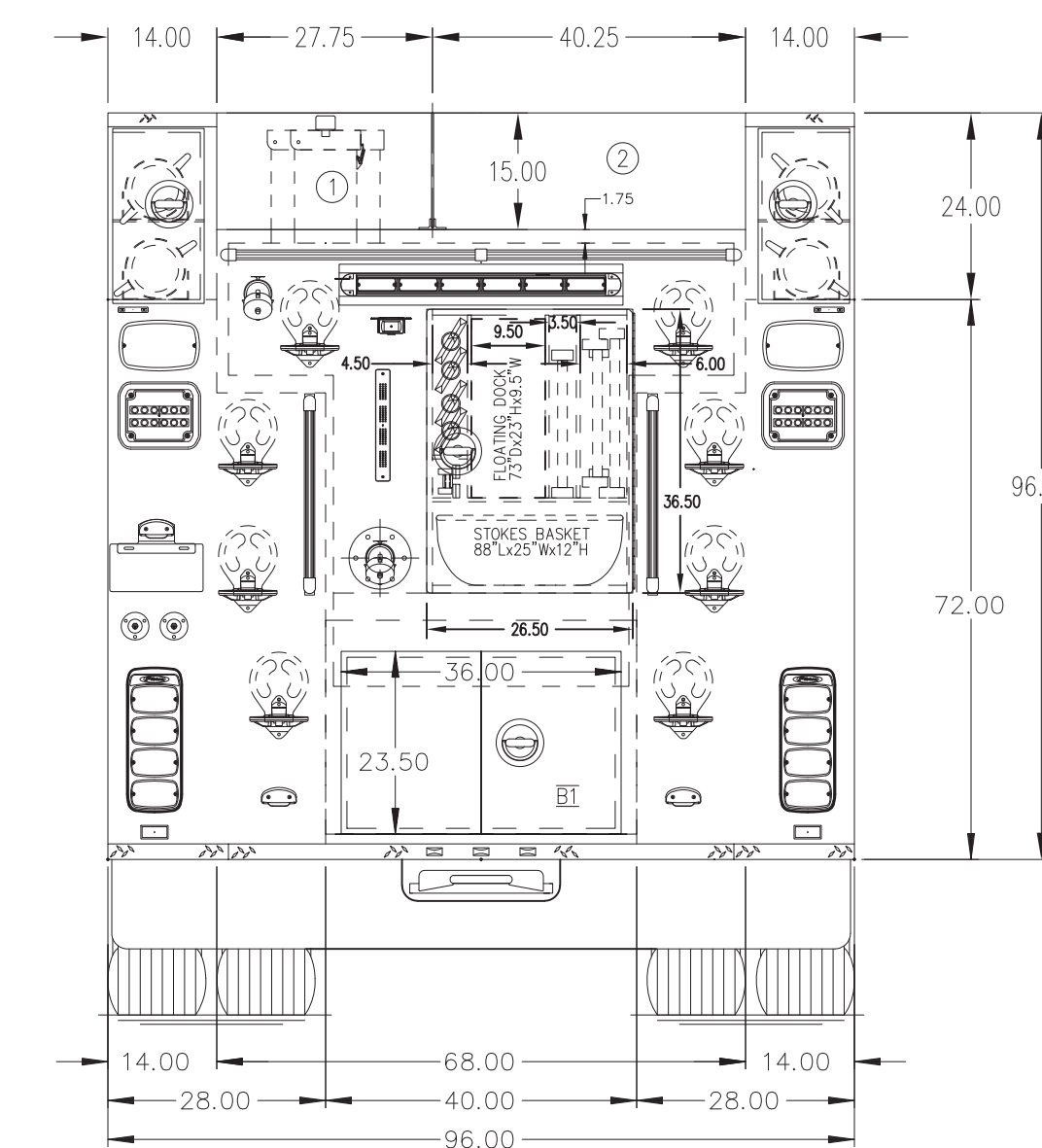
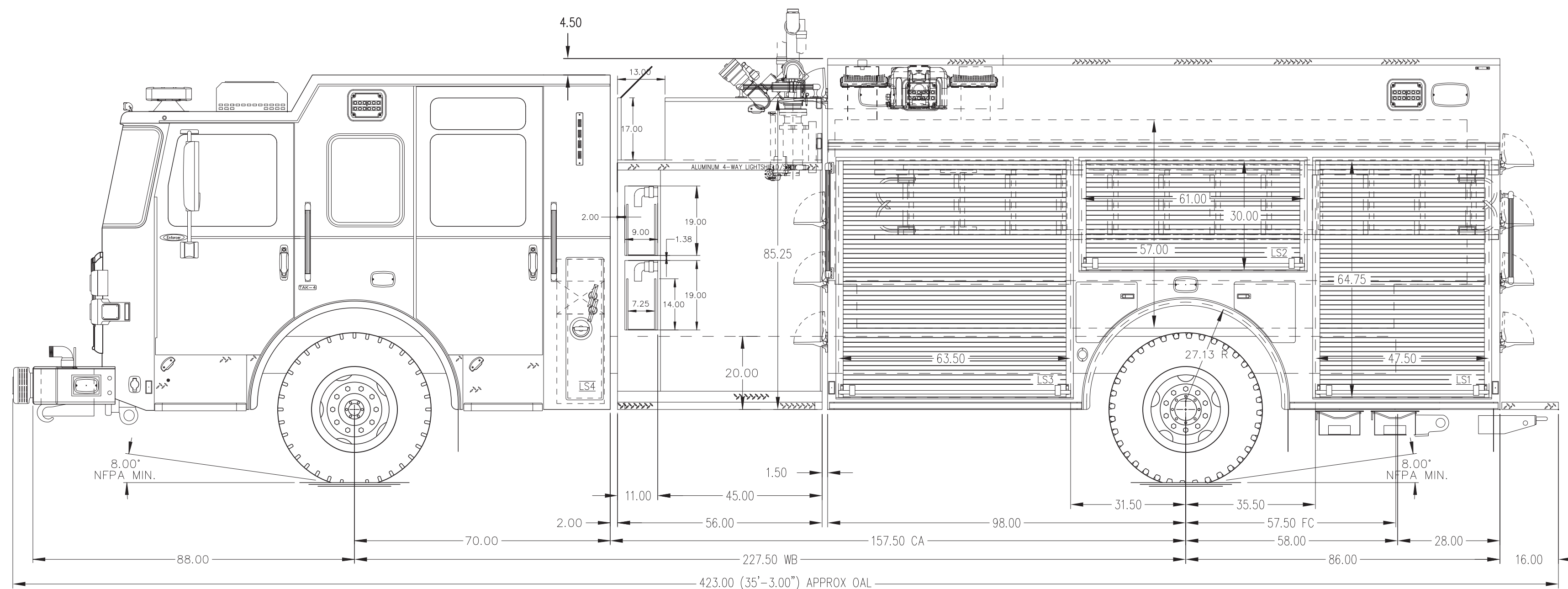


121.00
(10'-1.00")
APPROX
O.A.H.



HOSEBED CAPACITIES
 ① 800' OF 3.00" D.J. POLY HOSE
 ② 1000' OF 5.00" D.J. POLY HOSE



ALUMINUM BODY

SIDE ROLL AND FRONTAL IMPACT PROTECTION

NOTE
 DIMENSIONS SHOWN ARE APPROXIMATE
 AND ARE SUBJECT TO MINOR DEVIATIONS
 AS MAY OCCUR OR BE NECESSARY IN
 CONSTRUCTION.
 MINOR DETAILS NOT SHOWN.

REV	DATE	BY	CH	ENFORCER
▽	27SEP24	KRG	-	CHASSIS DATA
▽	21AUG24	KRG	-	CHASSIS DATA
▽	30JUL24	KRG	-	MAKE
▽	28JUN24	KRG	-	PIERCE
▽	07JUN24	KRG	-	MODEL

TITLE 2000-D-1040P, 1000G WATER, 40G FOAM, 184" BODY LADDERS THRU WATER TANK, 45" SIDE CONTROL	FOR SHAWNEE FIRE COMPANY SHAWNEE-ON-DELAWARE, PA	DWG NO. PRELIMINARY PRINT ONLY		
			PROPOSAL	783
			SCALE	DATE
			DRAWN BY	14MAY2024
			CHECKED BY	N/A
SHEET SIZE	SHEET NO.			
D	1 OF 1			

NFPA 1900
(2024)
COMPLIANT