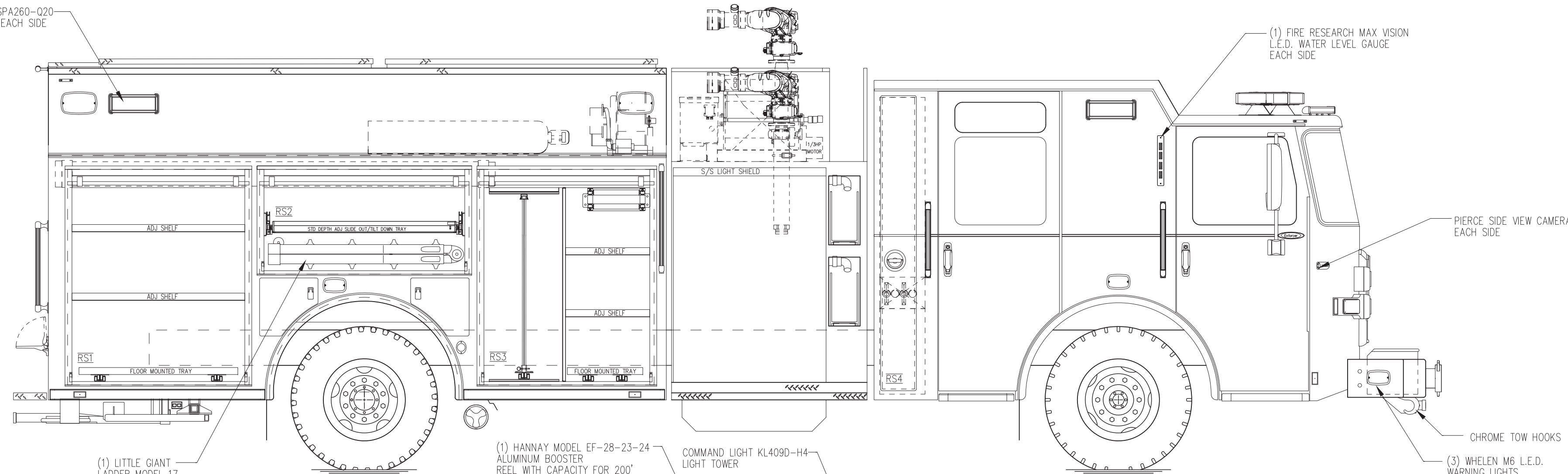


(2) FIRE RESEARCH SPA260-020 L.E.D. SCENE LIGHTS EACH SIDE



(1) LITTLE GIANT LADDER MODEL 17

(1) HANNAY MODEL EF-28-23-24 ALUMINUM BOOSTER REEL WITH CAPACITY FOR 200' OF 0.75" BOOSTER HOSE

COMMAND LIGHT KL4090-H4 LIGHT TOWER

(1) HANNAY ELECTRIC CABLE REEL 1600 FOR 200' OF 10/3 CABLE

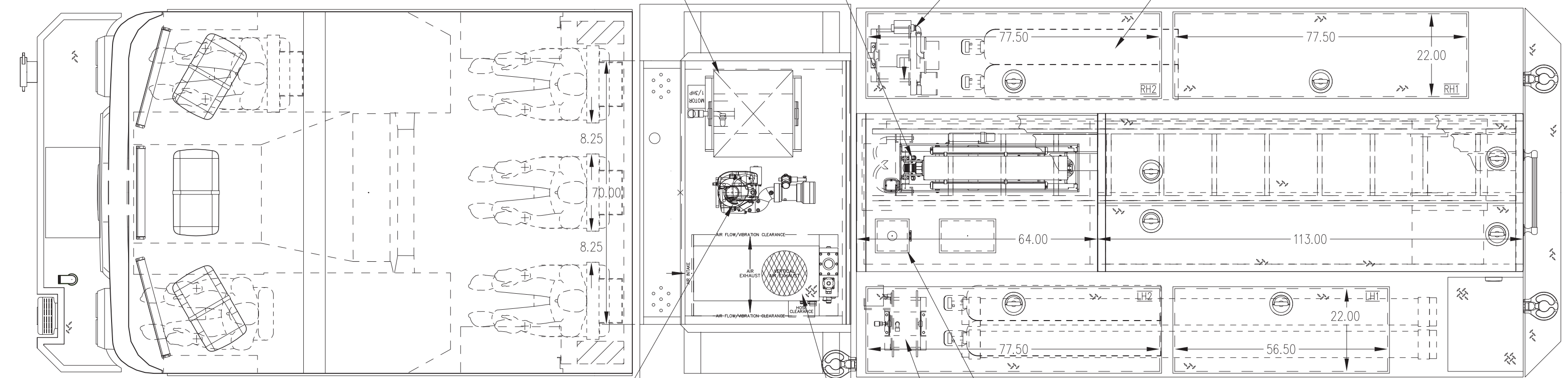
(2) 6000 UN AIR STORAGE BOTTLES EACH SIDE

(1) FIRE RESEARCH MAX VISION L.E.D. WATER LEVEL GAUGE EACH SIDE

PIERCE SIDE VIEW CAMERA EACH SIDE

CHROME TOW HOOKS

(3) WHELEN M6 L.E.D. WARNING LIGHTS EACH SIDE



3.00" DELUGE OUTLET WITH TET RC3 18" ELECTRIC EXTEND-A-GUN AND AKRON 3482 STREAM MASTER II MONITOR WITH AN AKRON 5177 NOZZLE

(1) TOOL AIR REEL WITH 150' OF BLUE HOSE

HARRISON 10KW MCR HYDRAULIC GENERATOR

25 GALLON FOAM CELL, REDUCE WATER

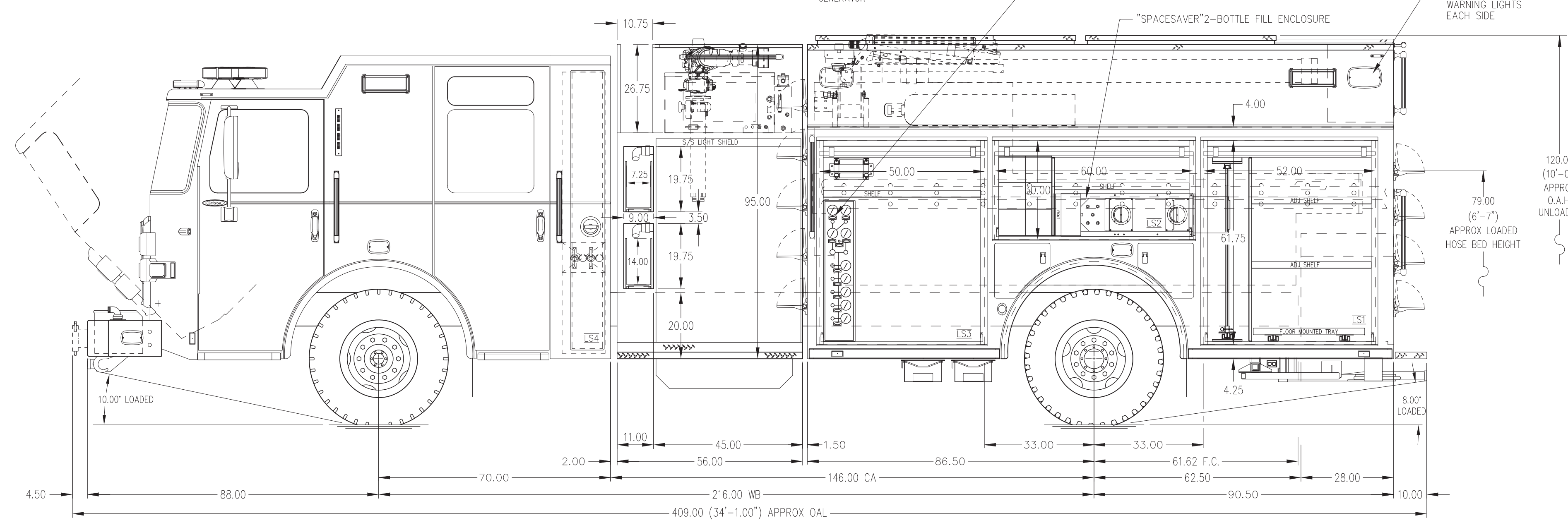
(1) TOOL AIR REEL WITH 150' OF BLUE HOSE

HARRISON 10KW MCR HYDRAULIC GENERATOR

CASCADE SYSTEM CONTROL PANEL

"SPACESAVER" 2-BOTTLE FILL ENCLOSURE

(2) WHELEN M9 L.E.D. WARNING LIGHTS EACH SIDE



10.00" LOADED

APPROX LOADED HOSE BED HEIGHT

120.00 (10'-0") APPROX O.A.H. UNLOADED

4.50 88.00 70.00 2.00 56.00 1.50 146.00 CA 86.50 33.00 33.00 61.62 F.C. 62.50 28.00 10.00 409.00 (34'-1.00") APPROX OAL

(1) WHELEN FREEDOM IV SERIES L.E.D. 23.00" LIGHTBAR MOUNTED IN CENTER AND (2) WHELEN FREEDOM IV SERIES L.E.D. 21.50" LIGHTBARS MOUNTED AT 30°

HIVIZ FT-8-72-3PKIT L.E.D. SCENE LIGHT WITH OUTER LIGHTS MOUNTED AT 15°

RETRAC HEATED/REMOTE CONTROL MIRRORS WITH CONVEX SECTION

(2) WHELEN M6 L.E.D. WARNING LIGHT IN A COMMON BEZEL EACH SIDE

(2) WHELEN 600 L.E.D. DIRECTIONAL LIGHTS

19.00" EXTENDED STEEL PAINTED BUMPER WITH CENTER TRAY FOR 125' OF 1.75" HOSE

6.00" INLET WITH 5.00" PIPING

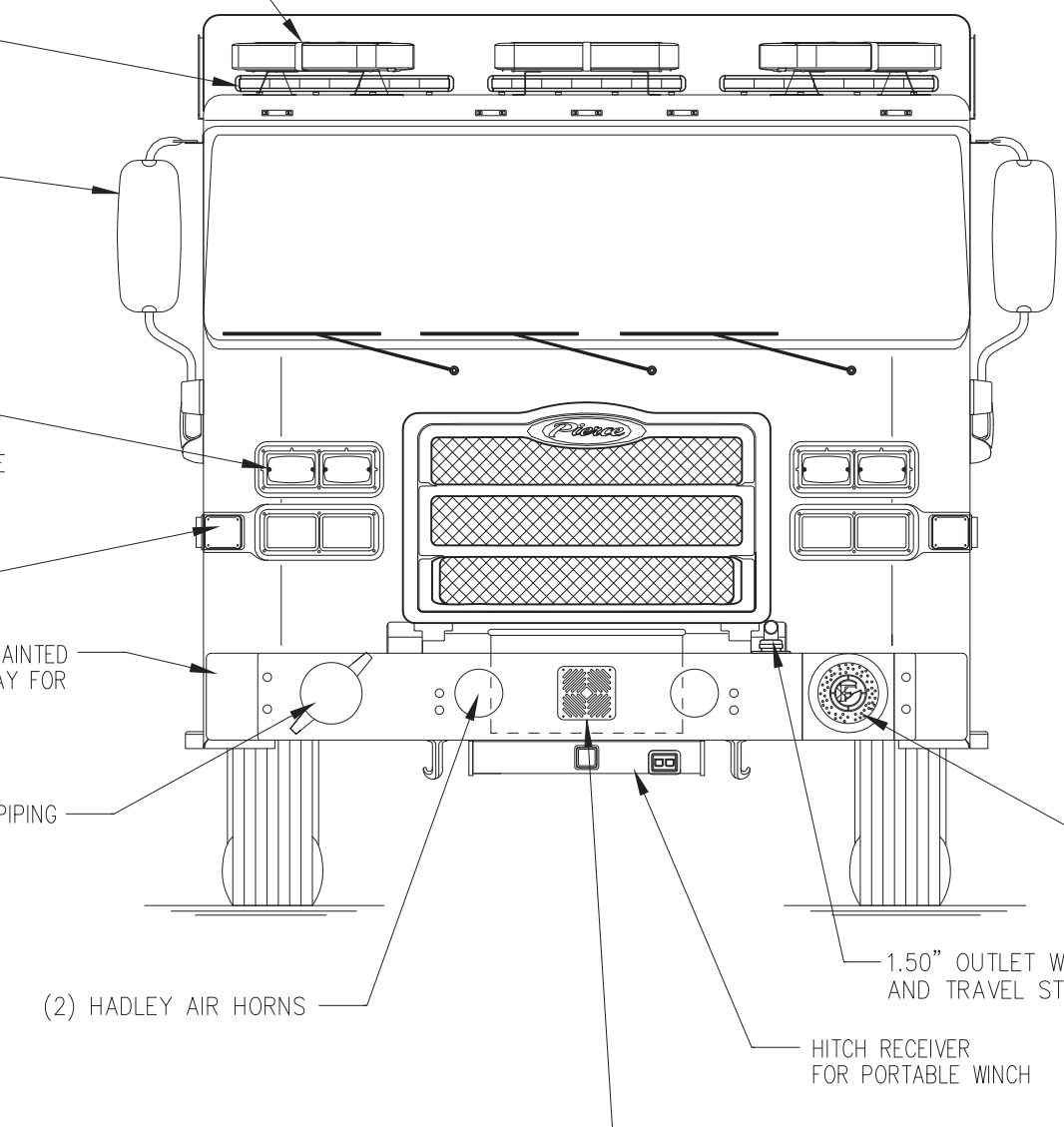
FEDERAL Q2B SIREN (RECESSED)

(2) HADLEY AIR HORNS

1.50" OUTLET WITH 2.00" PIPING AND TRAVEL STOPS

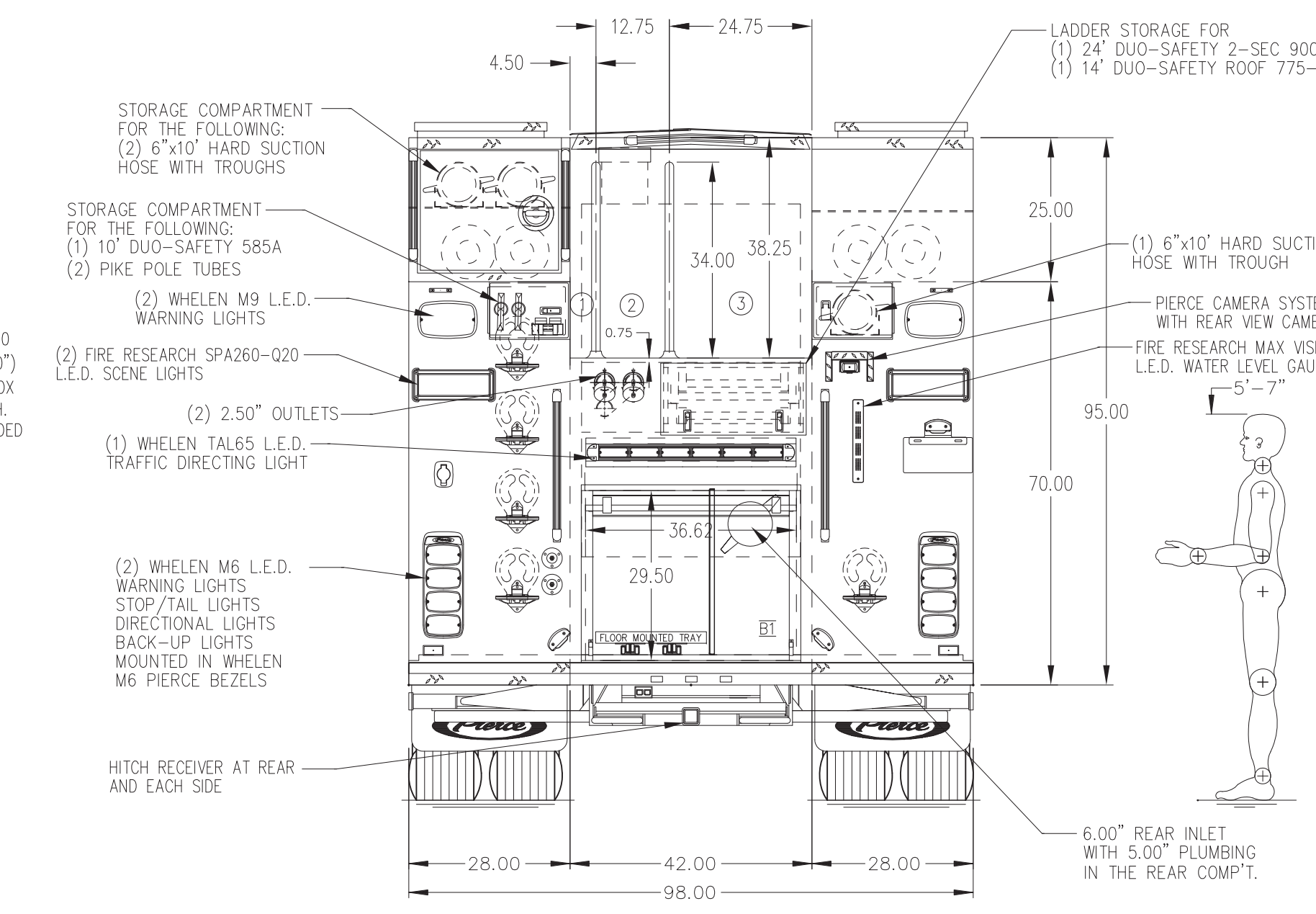
HITCH RECEIVER FOR PORTABLE WINCH

(1) WHELEN SA315P SPEAKER WITH S/STL GRILLE



HOSEBED CAPACITIES

- ① 300' OF 1.75" HOSES
- ② 500' OF 3.00" HOSES
- ③ 1200' OF 5.00" LDH



STORAGE COMPARTMENT FOR THE FOLLOWING:  
(2) 6"x10" HARD SUCTION HOSE WITH TROUGHS

STORAGE COMPARTMENT FOR THE FOLLOWING:  
(1) 10' DUO-SAFETY 585A  
(2) PIKE POLE TUBES

(2) WHELEN M9 L.E.D. WARNING LIGHTS

(2) FIRE RESEARCH SPA260-020 L.E.D. SCENE LIGHTS

(2) 2.50" OUTLETS

(1) WHELEN TAL65 L.E.D. TRAFFIC DIRECTING LIGHT

(2) WHELEN M6 L.E.D. WARNING LIGHTS STOP/TAIL LIGHTS DIRECTIONAL LIGHTS BACK-UP LIGHTS MOUNTED IN WHELEN M6 PIERCE BEZELS

HITCH RECEIVER AT REAR AND EACH SIDE

STORAGE COMPARTMENT FOR THE FOLLOWING:  
(1) 24" DUO-SAFETY 2-SEC 900-A  
(1) 14" DUO-SAFETY ROOF 775-A

(1) 6"x10" HARD SUCTION HOSE WITH TROUGH

PIERCE CAMERA SYSTEM WITH REAR VIEW CAMERA

FIRE RESEARCH MAX VISION L.E.D. WATER LEVEL GAUGE

6.00" REAR INLET WITH 5.00" PLUMBING IN THE REAR COMP.

12.75 24.75 4.50 25.00 34.00 38.25 0.75 95.00 70.00 36.62 29.50 28.00 42.00 28.00 98.00

ALUMINUM BODY

MAXIMUM O.A.L. 34'-1.00"

MAXIMUM O.A.H. 9'-11.00"

**NOTE**  
DIMENSIONS SHOWN ARE APPROXIMATE AND ARE SUBJECT TO MINOR DEVIATIONS AS MAY OCCUR OR BE NECESSARY IN CONSTRUCTION.  
MINOR DETAILS NOT SHOWN.

REV	DATE	BY	CH	ENFORCER
13DEC23	KRG	-	-	
13NOV23	KRG	-	-	
09NOV23	KRG	-	-	CHASSIS DATA
13SEP23	KRG	-	-	MAKE
07SEP23	KRG	-	-	PIERCE
10AUG23	KRG	-	-	MODEL
12MAY23	KRG	-	-	

Pierce MANUFACTURING INC.		PROPOSAL	260
TITLE	1500-D-750P, 725G WATER, 25G FOAM, 177" HDRP (2) SPEEDLAYS, (1) CROSSLAY, LADDERS IN TUNNEL	SCALE	DATE
FOR	POLK TOWNSHIP VOLUNTEER FIRE COMPANY KRESGEVILLE, PA	DRAWN BY	02MAY2023
DWG NO.	PRELIMINARY PRINT ONLY	CHECKED BY	N/A
		SHEET SIZE	SHEET NO.
		D	1 OF 1