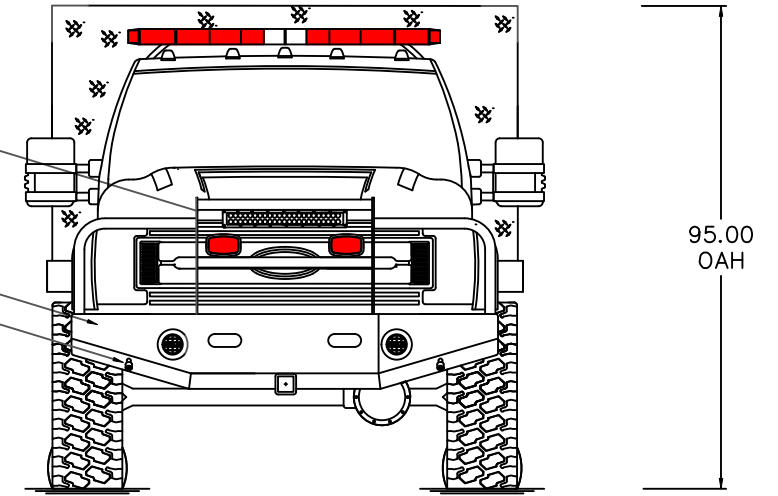
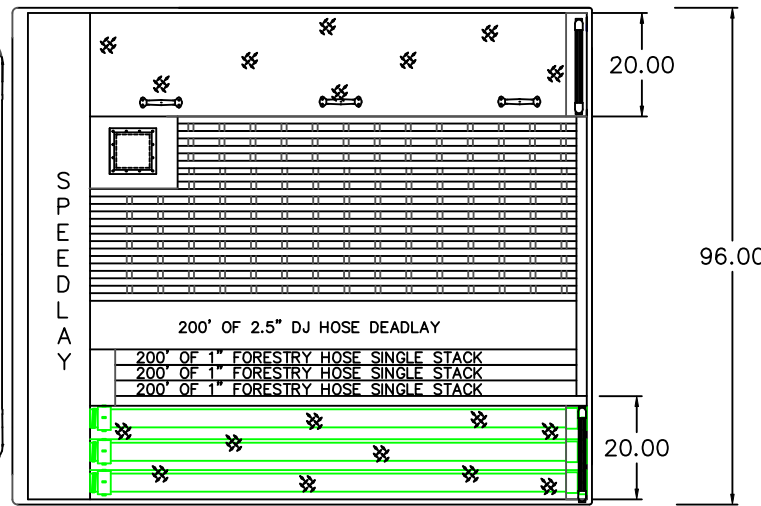
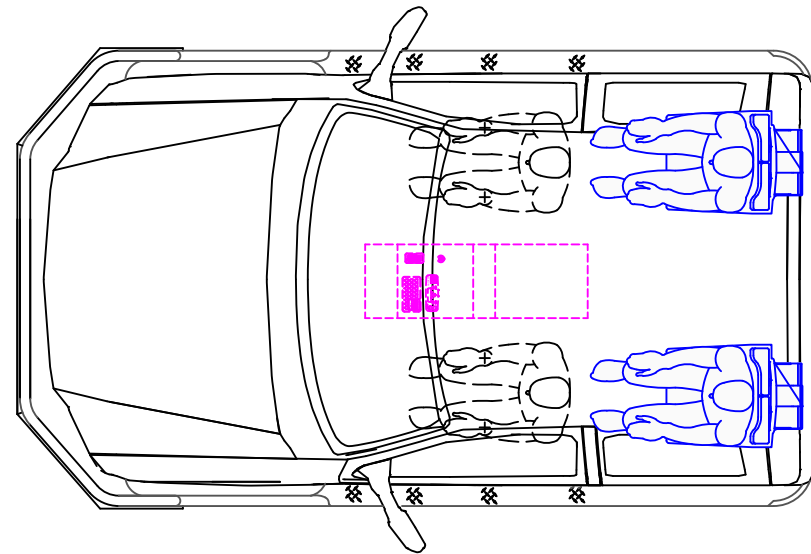


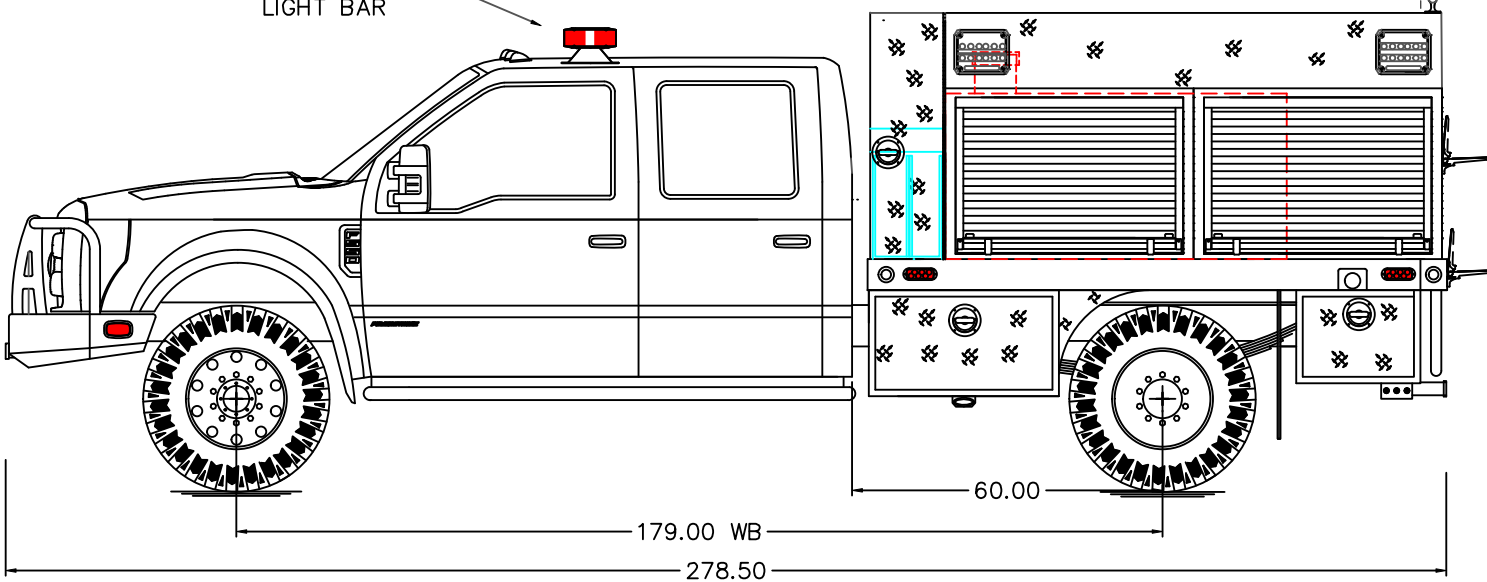
HI VIZ STRIP SCENE LIGHT BAR
 WARN HD BUMPER
 SPRAY NOZZLES



112.00

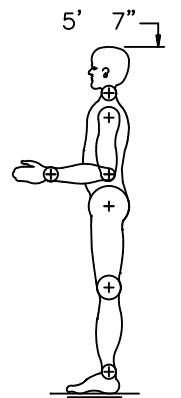
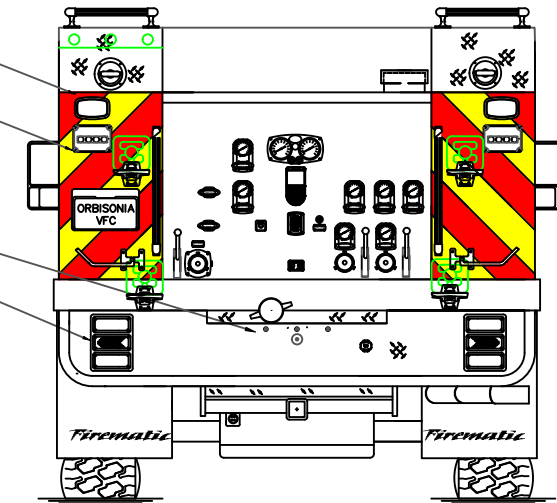


WHELEN LED LIGHT BAR



WHELEN M6 WARNING LIGHTS
 HI VIZ LED SCENE LIGHTS

BACKUP CAMERA
 TECNIQ K70 SERIES LED STOP/TURN/TAIL LIGHTS



Firematic MANUFACTURING

JOB NO. 2205

DATE NOV 2023

DRAWN BY ZIMMERLY

APPROVED BY :

D. HORTON

NOTE
 THIS DRAWING IS CONCEPTUAL AND IS NOT AN EXACT REPRESENTATION OF THE TRUCK DRAWN. DIMENSIONS SHOWN ARE APPROXIMATE AND ARE SUBJECT TO DEVIATION AS MAY OCCUR OR BE NECESSARY IN CONSTRUCTION. SOME DETAILS NOT SHOWN.

300 GALLON POLY-TANK
 HALE AP50 PTO PUMP
 SUPER SINGLE FOUNDERS MT RADIAL TIRE PACKAGE

CHASSIS DATA
 CHASSIS FORD
 MODEL F-550

TITLE **BRAT 550 WILDLAND PUMPER**
 FOR **ORBISONIA ROCKHILL VFC. ORBISONIA, PA**