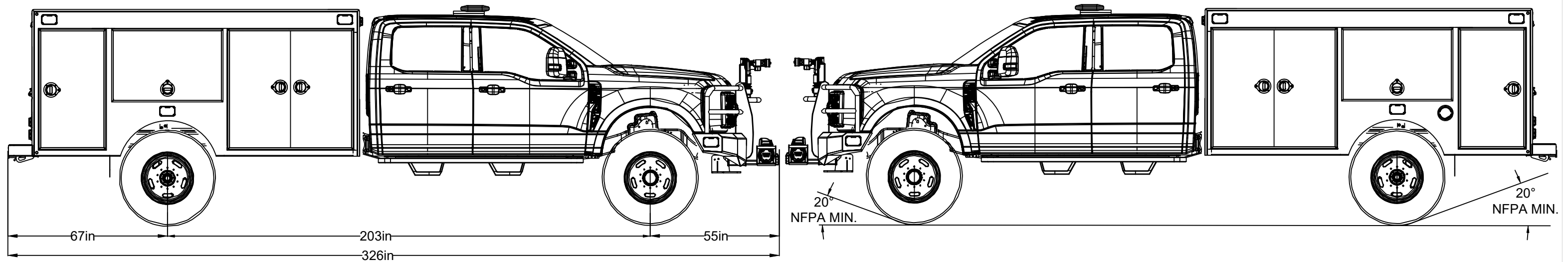
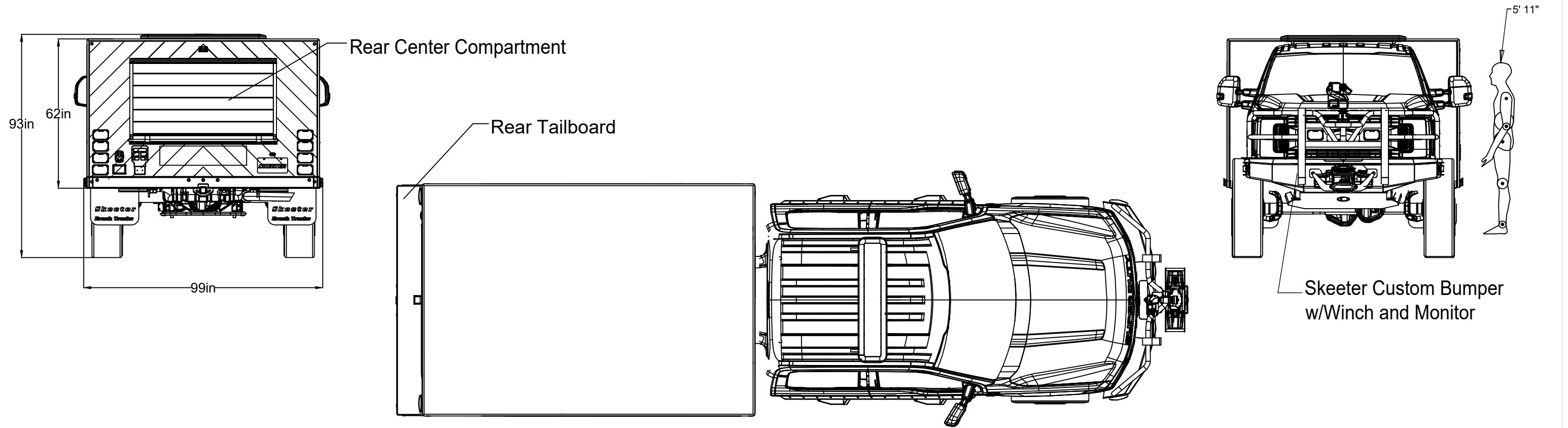


MORRISVILLE FIRE COMPANY'S R400 SKEETER EMERGENCY VEHICLE



PROPERTY OF
SKEETER EMERGENCY VEHICLES

NOTE: DETAILS AND DIMENSIONS SHOWN ARE APPROXIMATE
AND ARE SUBJECT TO CHANGE AS MAY
OCCUR OR BE NECESSARY IN CONSTRUCTION
NOT ALL FEATURES ARE SHOWN.

PREPARED FOR:

MORRISVILLE FD

NOT FOR PRODUCTION. FEATURES AND DIMENSIONS SUBJECT TO CHANGE.

TITLE:

PRELIMINARY OVERVIEW

DRAWN BY:

ALONDRA P.

SPEC #:

849

SPEC DATE:

1/2/2024

SHEET 1 OF 1