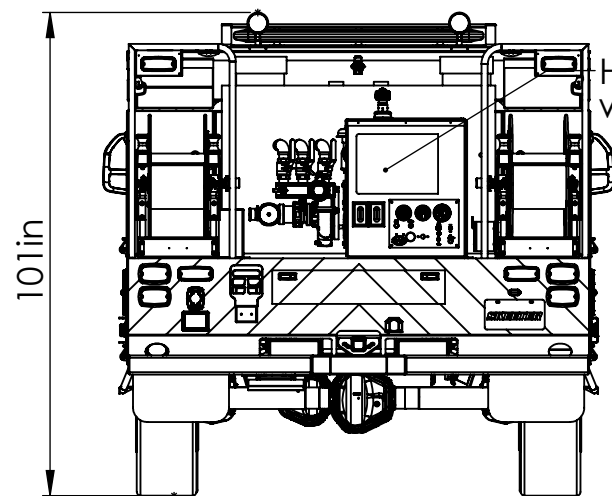


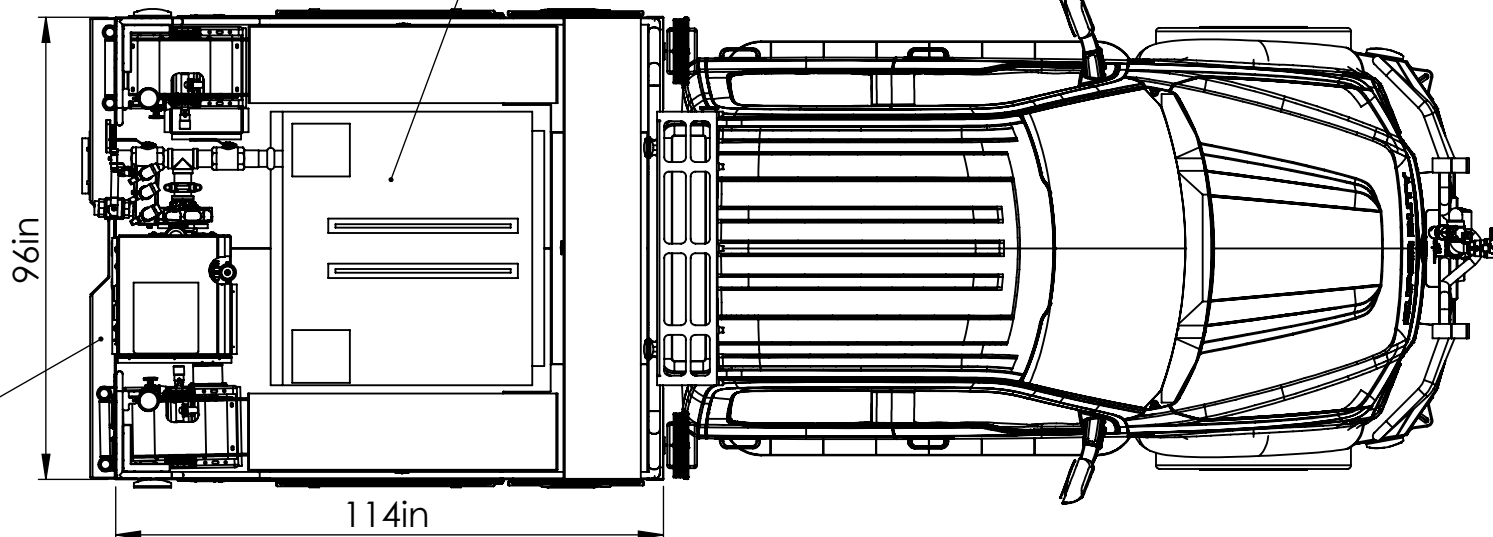
LAWN FIRE COMPANY'S NWCW TYPE 5 RESCUE SIDE WILDLAND ENGINE SKEETER EMERGENCY VEHICLES



Hale HPX300-KBD 24
w/ Control Panel

101in

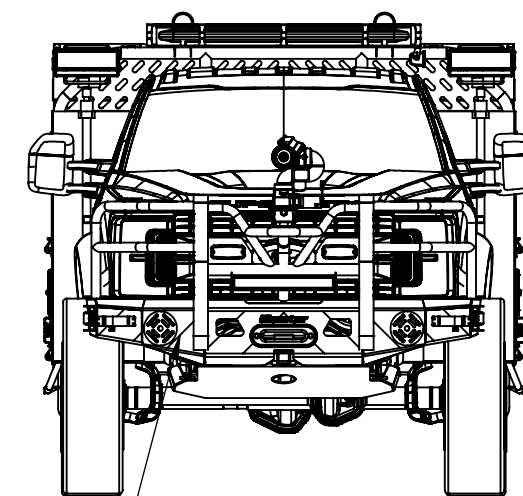
400 Gallons Water
w/ 10 Gallons Foam



96in

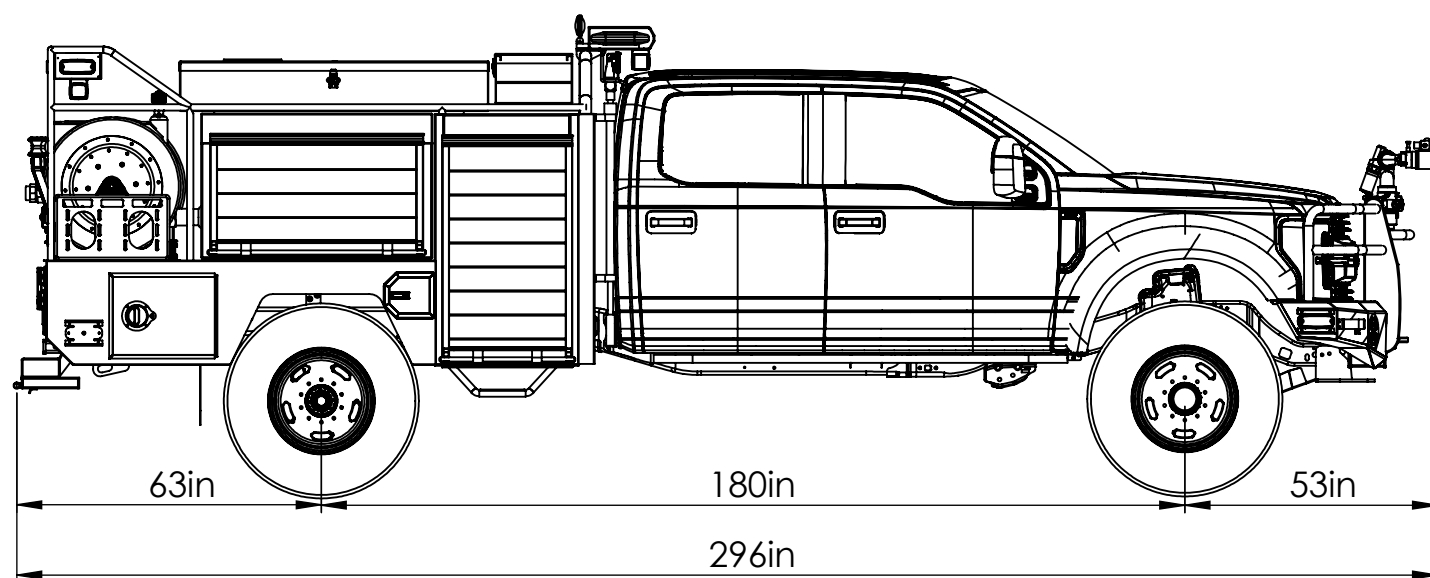
114in

Rear Tube Bumper



5' 10"

Custom Skooter Bumper
w/ Ground Sweeps, Monitor,
20" Scene Light, and Winch

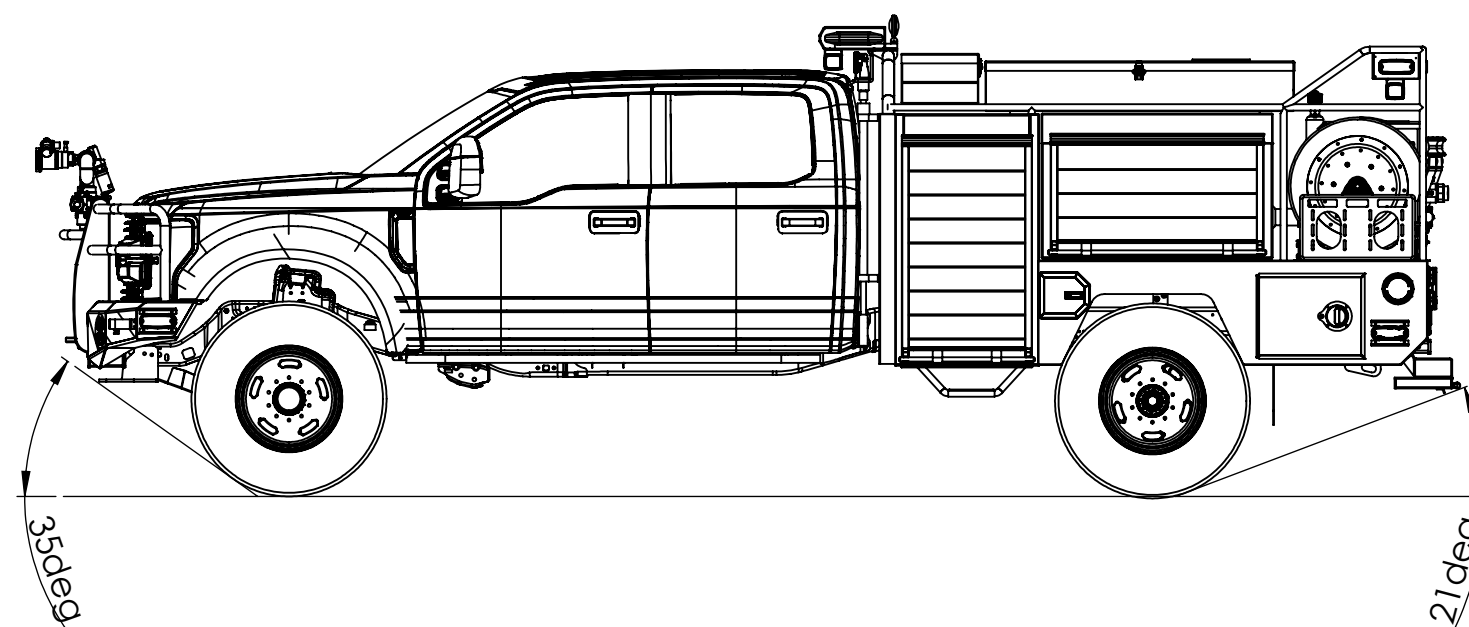


63in

180in

53in

296in



33deg

21deg

PROPERTY OF
SKEETER EMERGENCY VEHICLES

NOTE: DETAILS AND DIMENSIONS SHOWN ARE APPROXIMATE
AND ARE SUBJECT TO MINOR DEVIATIONS AS MAY
OCCUR OR BE NECESSARY IN CONSTRUCTION
MINOR DETAILS NOT SHOWN

PREPARED FOR:

LAWN FIRE COMPANY

DRAWN BY: Alondra P.

TITLE:

PRELIMINARY OVERVIEW

SPEC DATE: 7/5/2024

SPEC # 1799

SHEET 1 OF 1

NOT FOR PRODUCTION. SOME FEATURES AND DIMENSIONS SUBJECT TO CHANGE