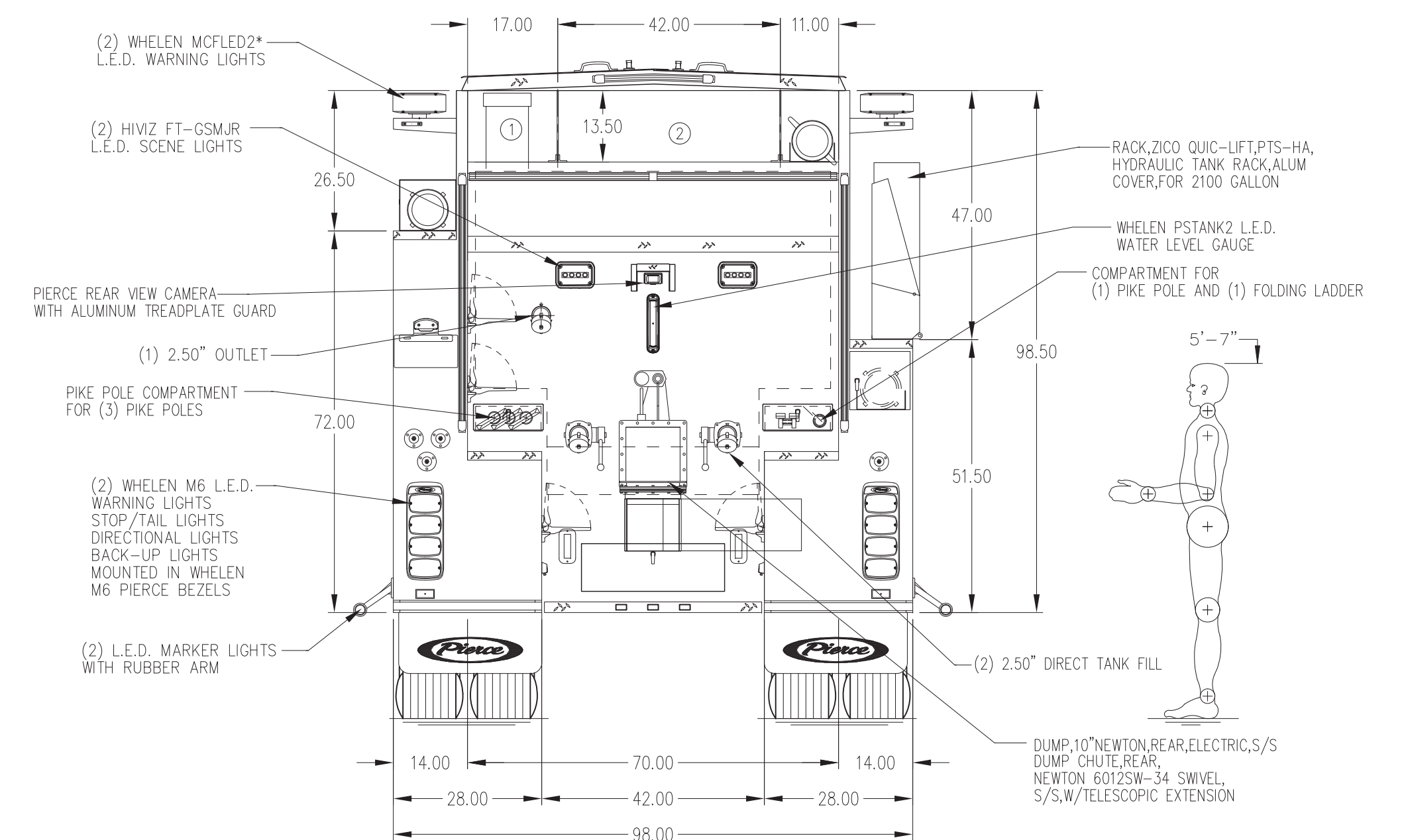
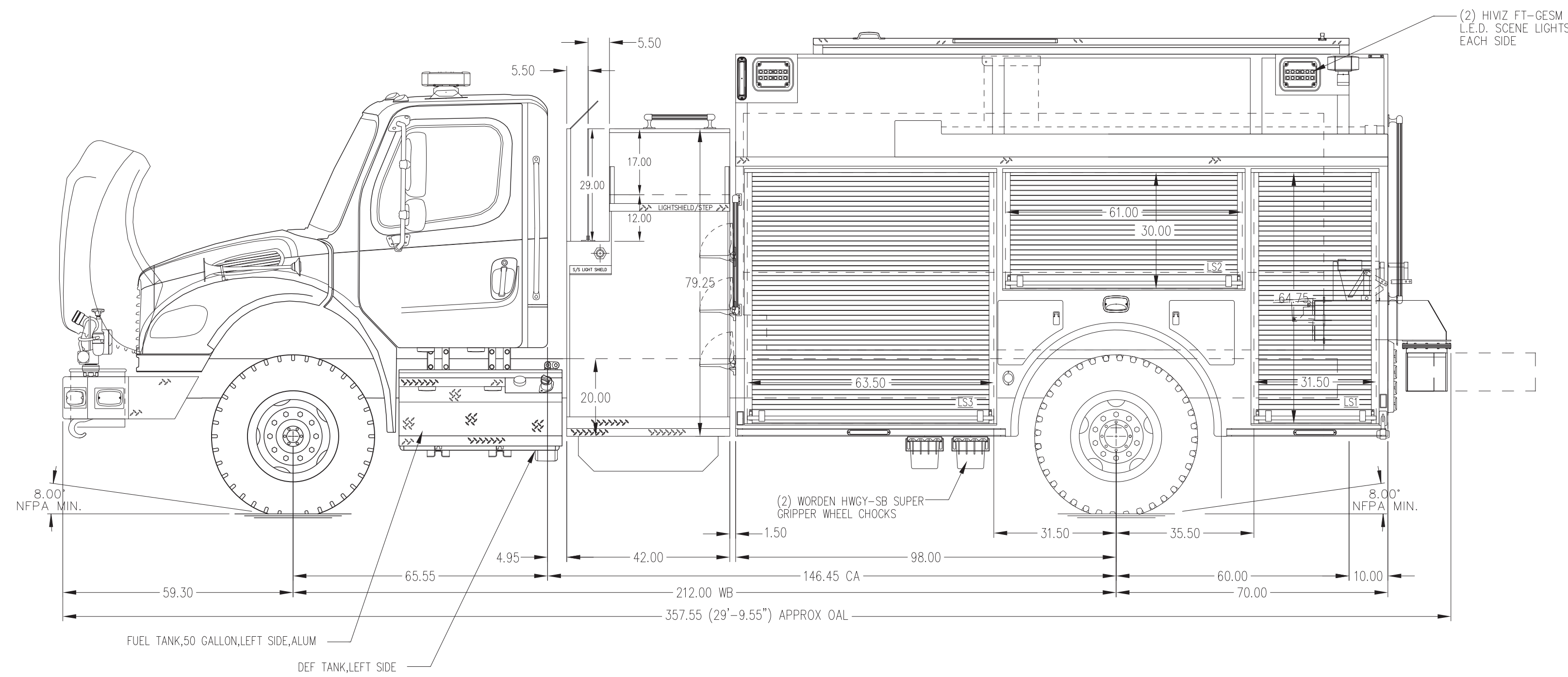


HOSEBED CAPACITIES

① 200' OF 3.00" D.J. HOSE

② 1000' OF 5.00" LDH HOSE



ALUMINUM BODY

NOTE
DIMENSIONS SHOWN ARE APPROXIMATE AND ARE SUBJECT TO MINOR DEVIATIONS AS MAY OCCUR OR BE NECESSARY IN CONSTRUCTION. MINOR DETAILS NOT SHOWN.

REV	DATE	BY	CH	MODEL
	05APR23	KRG	-	M2-106

CHASSIS DATA	TITLE	1250-D-2000P, 168" DRYSIDE TANKER BODY	PROPOSAL	792
	MAKE	FL	SCALE	1:24
DWG NO.	FOR	GRANVILLE FIRE COMPANY	DRAWN BY	KRG
		GRANVILLE, PA	CHECKED BY	N/A
			SHEET SIZE	D
				DATE
				23MAR2023
				N/A
				N/A
				1 OF 1

