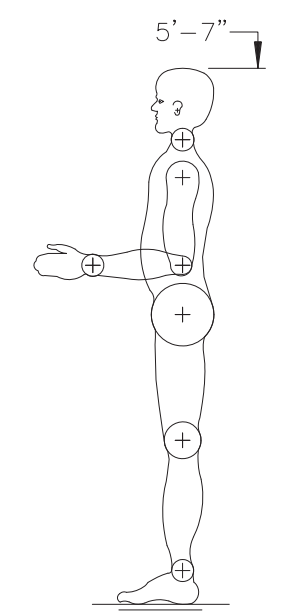
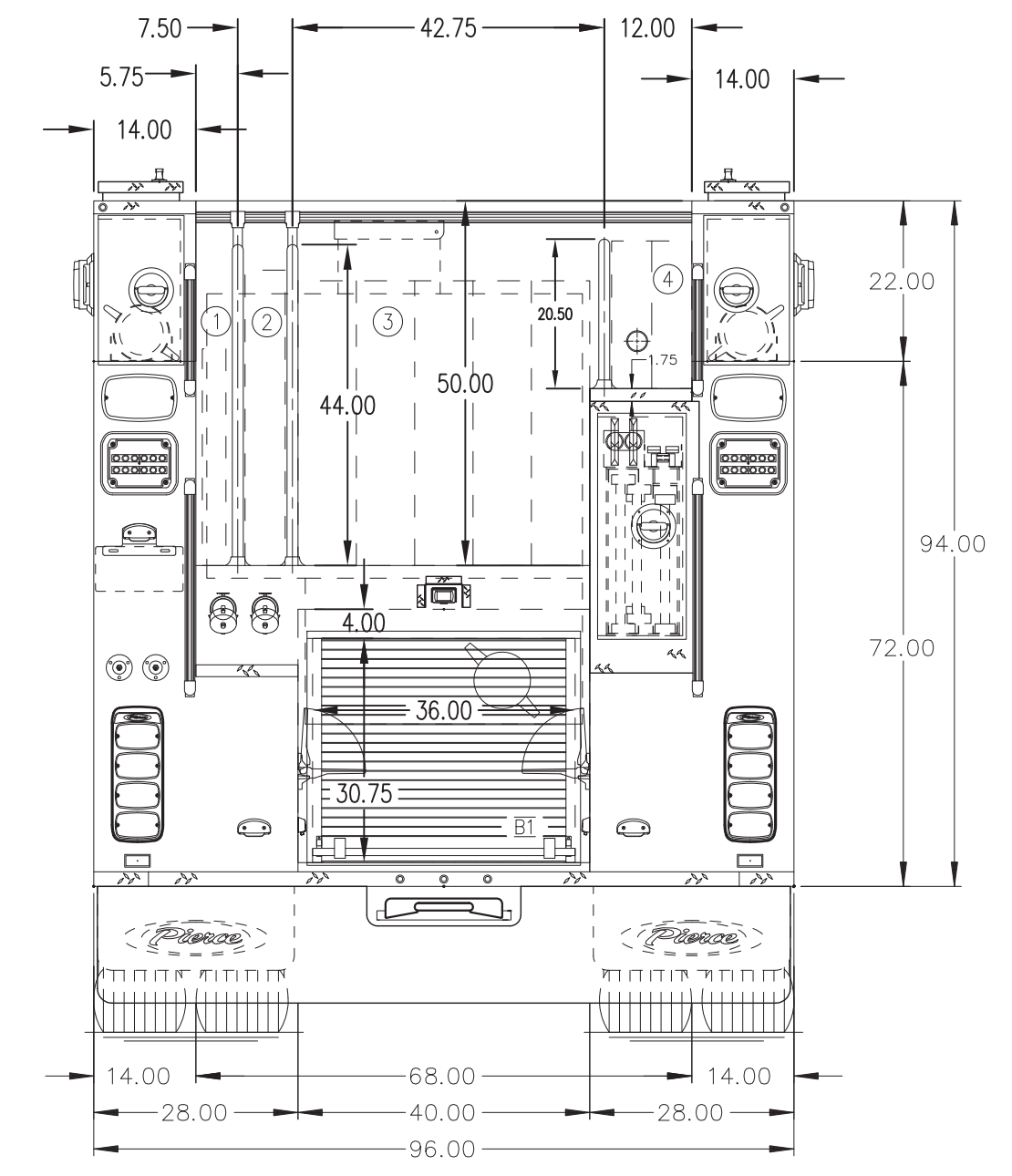
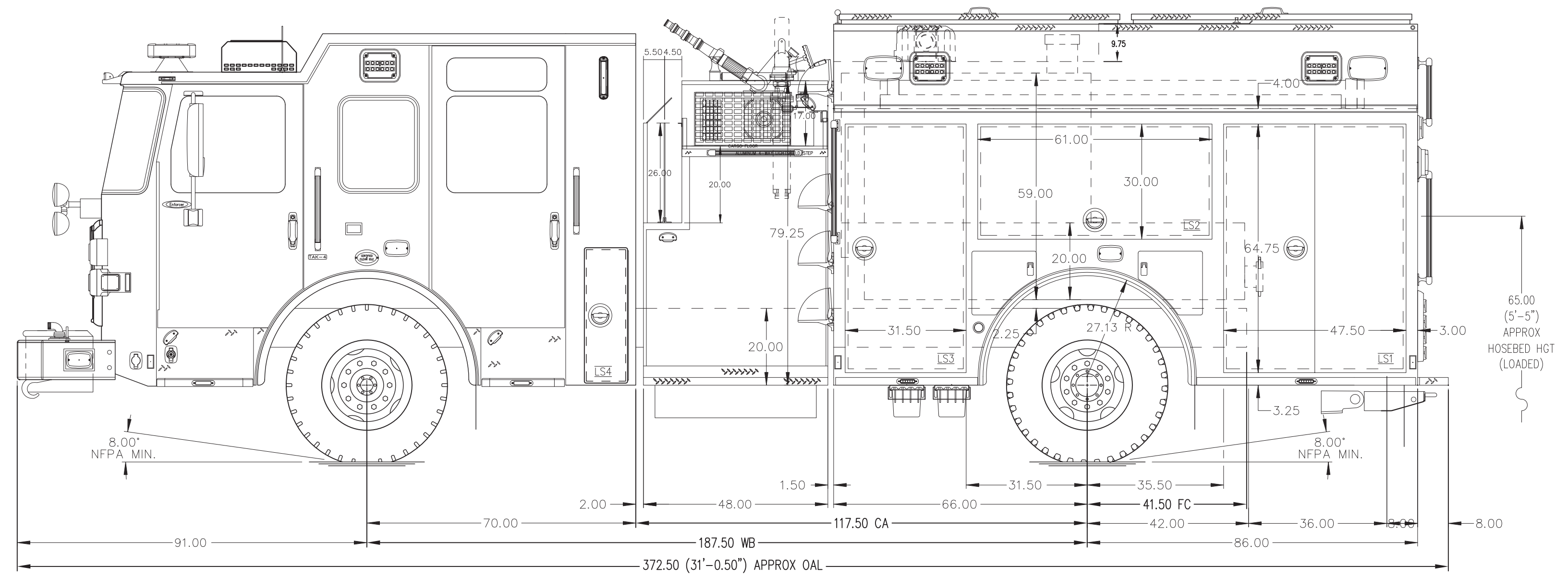


- HOSEBED CAPACITIES
- ① 250' OF 1.75" D.J. HOSE
 - ② 300' OF 3.00" D.J. HOSE
 - ③ 1500' OF 5.00" D.J. HOSE
 - ④ 300' OF 3.00" D.J. HOSE



ALUMINUM BODY MAXIMUM O.A.L. 373.00" MAXIMUM O.A.H. 122.00" SIDE ROLL AND FRONTAL IMPACT PROTECTION

NOTE
DIMENSIONS SHOWN ARE APPROXIMATE AND ARE SUBJECT TO MINOR DEVIATIONS AS MAY OCCUR OR BE NECESSARY IN CONSTRUCTION. MINOR DETAILS NOT SHOWN.

REV	DATE	BY	CH



TITLE	2000 GPM, 750 GALLON WATER TANK 152" 2G PUMPER, MUX
MAKE	FAIRVIEW TOWNSHIP FIRE DEPARTMENT NEW CUMBERLAND, PA
PIERCE MODEL	
DWG NO.	PRELIMINARY PRINT ONLY

NFPA 1900 (2024) COMPLIANT

PROPOSAL	836
SCALE	DATE
DRAWN BY	18NOV2024
CHECKED BY	N/A
SHEET SIZE	SHEET NO.
D	1 OF 1