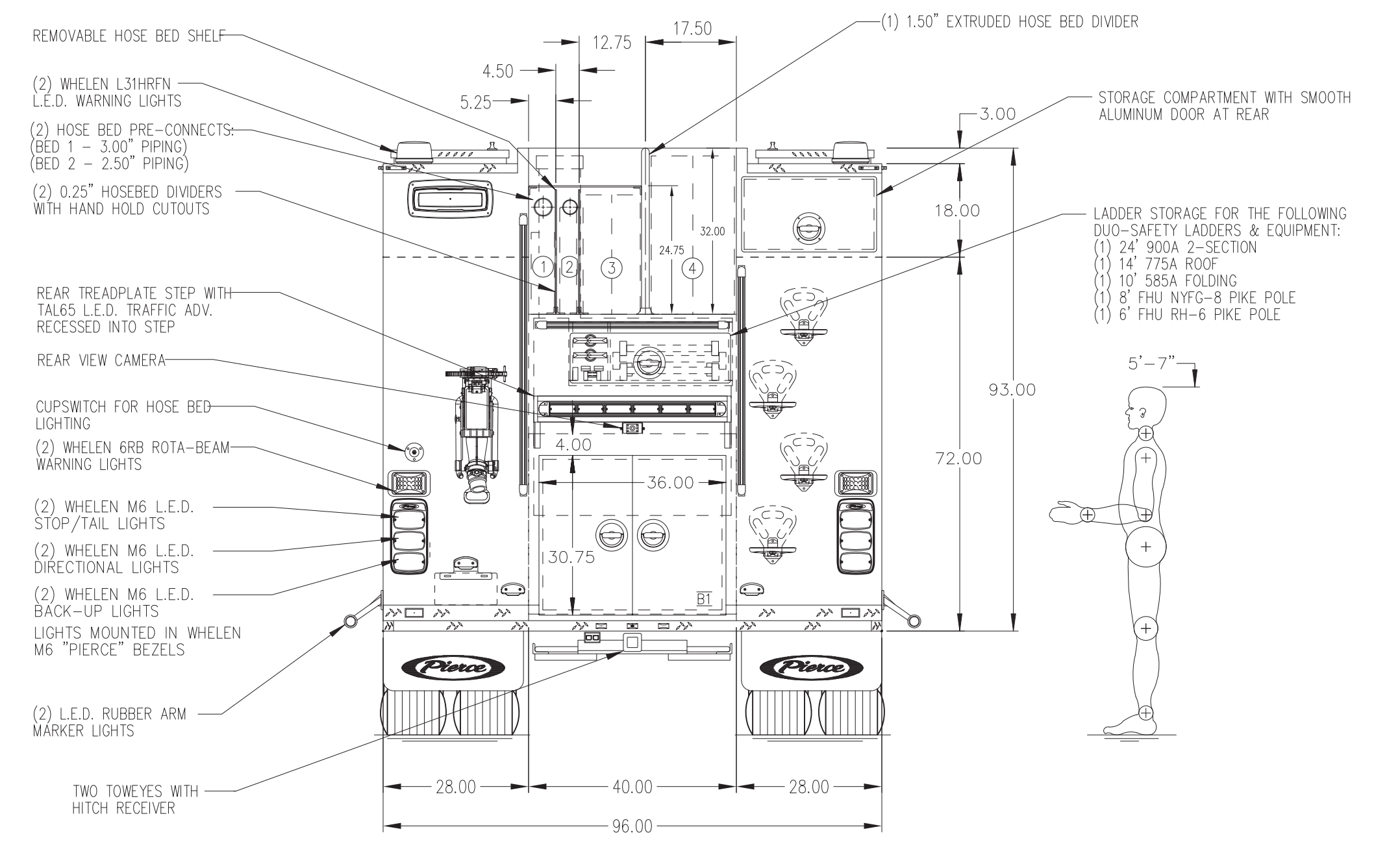
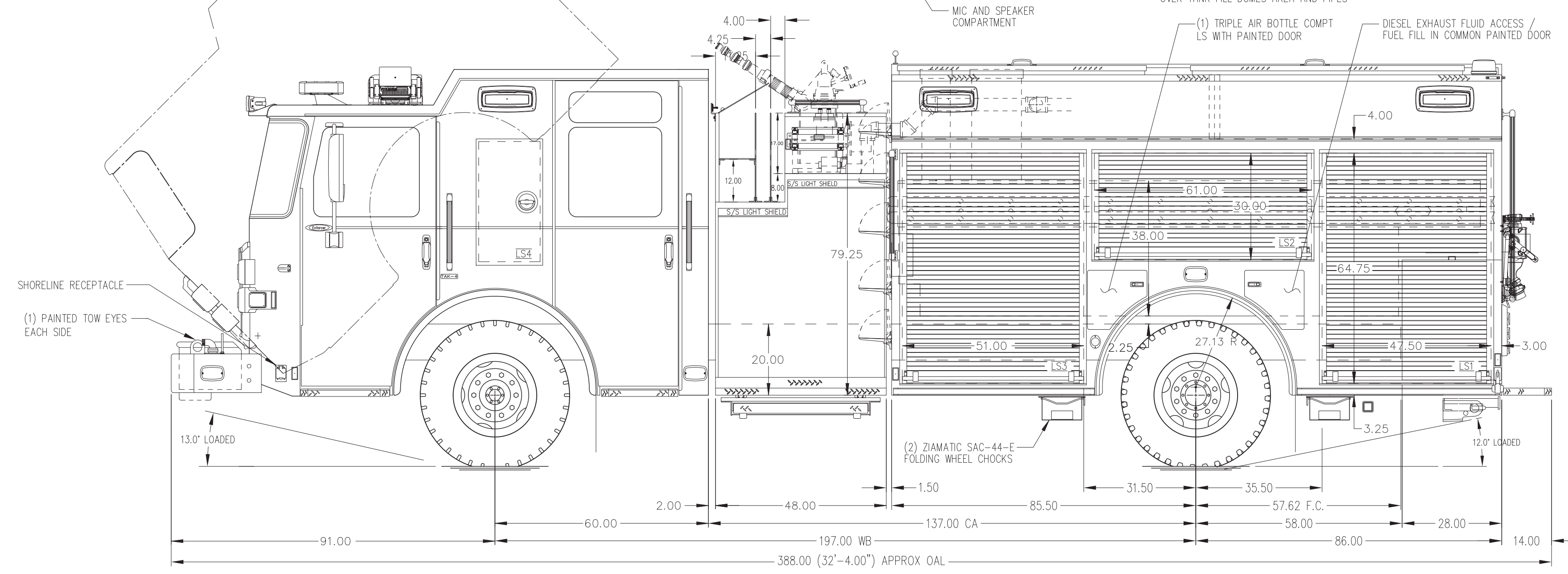


- HOSEBED CAPACITIES**
- ① 200' OF 2.50" D.J. POLY HOSE
 - ② 300' OF 1.75" D.J. POLY HOSE
 - ③ 400' OF 3.00" D.J. POLY HOSE
 - ④ 1000' OF 5.00" D.J. POLY HOSE



ALUMINUM BODY

SIDE ROLL AND FRONTAL IMPACT PROTECTION

- NOTE**
DIMENSIONS SHOWN ARE APPROXIMATE AND ARE SUBJECT TO MINOR DEVIATIONS AS MAY OCCUR OR BE NECESSARY IN CONSTRUCTION. MINOR DETAILS NOT SHOWN.
- 1. DRIP PAN GUARD FOR ROLL-UP DOOR LOCATED ON ALL BODY COMPARTMENTS
 - 2. FULL WIDTH/DEPTH ADJUSTABLE SHELVES LOCATED PER SHOP ORDER
 - 3. ONE FLOOR MOUNTED SLIDE-OUT TRAYS LOCATED PER SHOP ORDER
 - 4. AKRON EDUCATOR 3096-95 FOAM SYSTEM
 - 5. ONE HANNAY ELECTRIC REWIND CORD REEL MODEL 1618-17-18 WITH 200' OF 12/4 CABLE LOCATED INSIDE CARGO COMPARTMENT ABOVE PUMP
 - 6. (3) 120V DUPLEX RECEPTACLE LOCATED INSIDE CAB & (1) IN LS3 & RS3
 - 7. AIR INLET WITH DISCONNECT COUPLING LOCATED ON LEFT SIDE PUMP PANEL
 - 8. BATTERY CHARGER INDICATOR LOCATED ON DRIVER'S SEAT RISER
 - 9. CHARGER / COMPRESSOR LOCATED BEHIND DRIVER'S AND OFFICER'S SEATS
 - 10. VERTICAL DIVIDER(S) LOCATED PER SHOP ORDER
 - 11. L-SHAPED DIVIDER(S) LOCATED PER SHOP ORDER

				CHASSIS DATA	TITLE	1500-D-500 WATER/30 FOAM, 171" BODY, SIDE CONTROL CROSSLAYS/DEADLAY, DELUGE, GENERATOR, FOAM SYSTEM	PROPOSAL	764	
				MAKE	FOR	BETHLEHEM CITY FIRE DEPARTMENT BETHLEHEM, PENNSYLVANIA	SCALE	DATE	
				MODEL	DWG NO.	PRELIMINARY PRINT ONLY	1:24	01DEC2023	
REV	DATE	BY	CH	ENFORCER				CHECKED BY	SHEET NO.
04JAN24	KRG	-						N/A	N/A
26DEC23	KRG	-						D	1 OF 1

