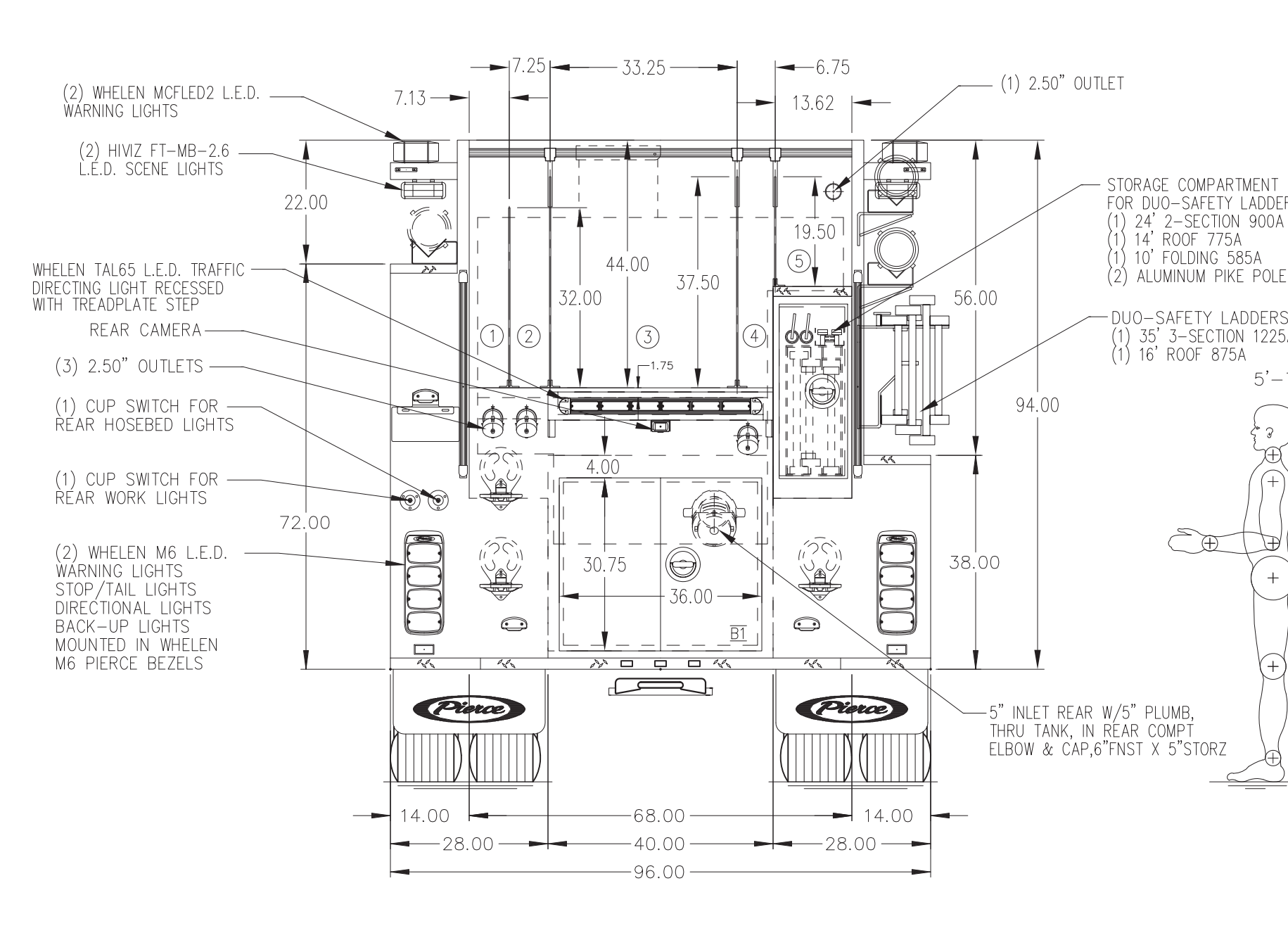
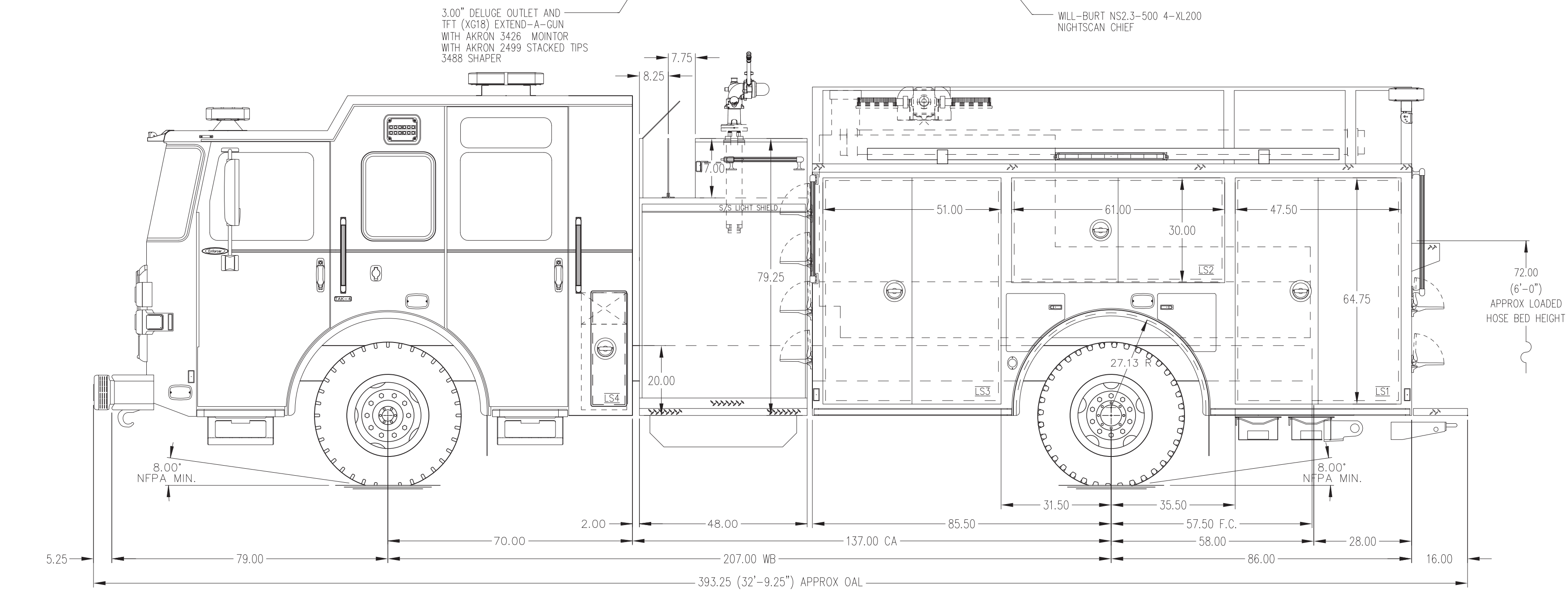


- HOSEBED CAPACITIES**
- ① 300' OF 3.00" DJ HOSE
  - ② 300' OF 3.00" DJ HOSE
  - ③ 1500' OF 5.00" LDH
  - ④ 250' OF 2.50" DJ HOSE
  - ⑤ 200' OF 2.50" DJ HOSE WITH 200' OF 1.75" DJ HOSE ON TOP



**ALUMINUM BODY**

**SIDE ROLL AND FRONTAL IMPACT PROTECTION**

**NOTE**  
DIMENSIONS SHOWN ARE APPROXIMATE AND ARE SUBJECT TO MINOR DEVIATIONS AS MAY OCCUR OR BE NECESSARY IN CONSTRUCTION. MINOR DETAILS NOT SHOWN.

- 1. SHORELINE RECEPTACLE WITH KUSSMAUL SUPER AUTO-EJECT LOCATED ON DRIVER SIDE OF THE CAB
- 2. AIR INLET WITH DISCONNECT COUPLING IN THE DRIVER SIDE STEPMWELL
- 3. BATTERY CHARGER LOCATED PER ORDER

REV	DATE	BY	CH	ENFORCER
10SEP24	KRG	-		CHASSIS DATA
06JUN24	KRG	-		MAKE
01MAR24	KRG	-		PIERCE
16NOV23	KRG	-		MODEL

		PROPOSAL	876
		SCALE	DATE
TITLE	2000-D-1000P, 171" PUMPER BODY (2) CROSSLAYS, RS LADDER BRACKETS	DRAWN BY	200C2023
FOR	AKRON FIRE COMPANY AKRON, PA	CHECKED BY	N/A
DWG NO.	PRELIMINARY PRINT ONLY	SHEET SIZE	SHEET NO.
		D	1 OF 1