

8

7

6

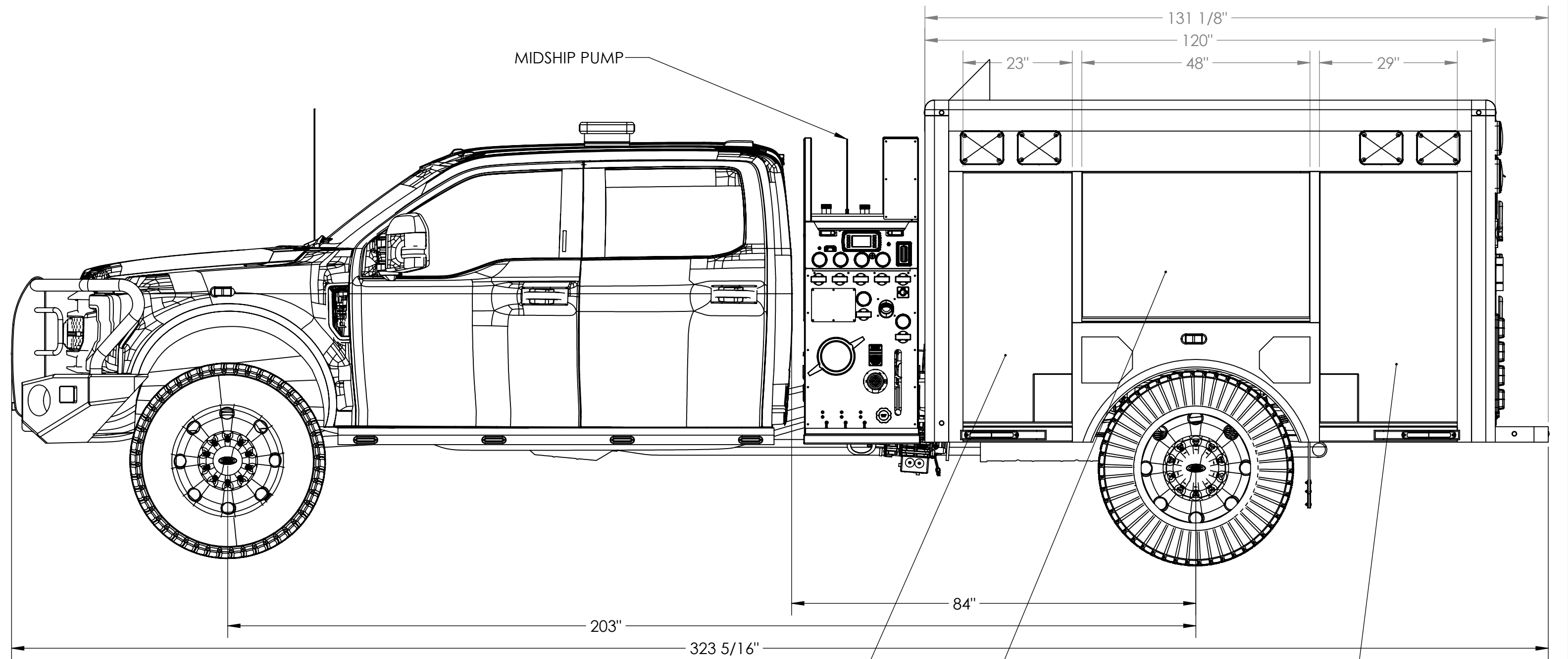
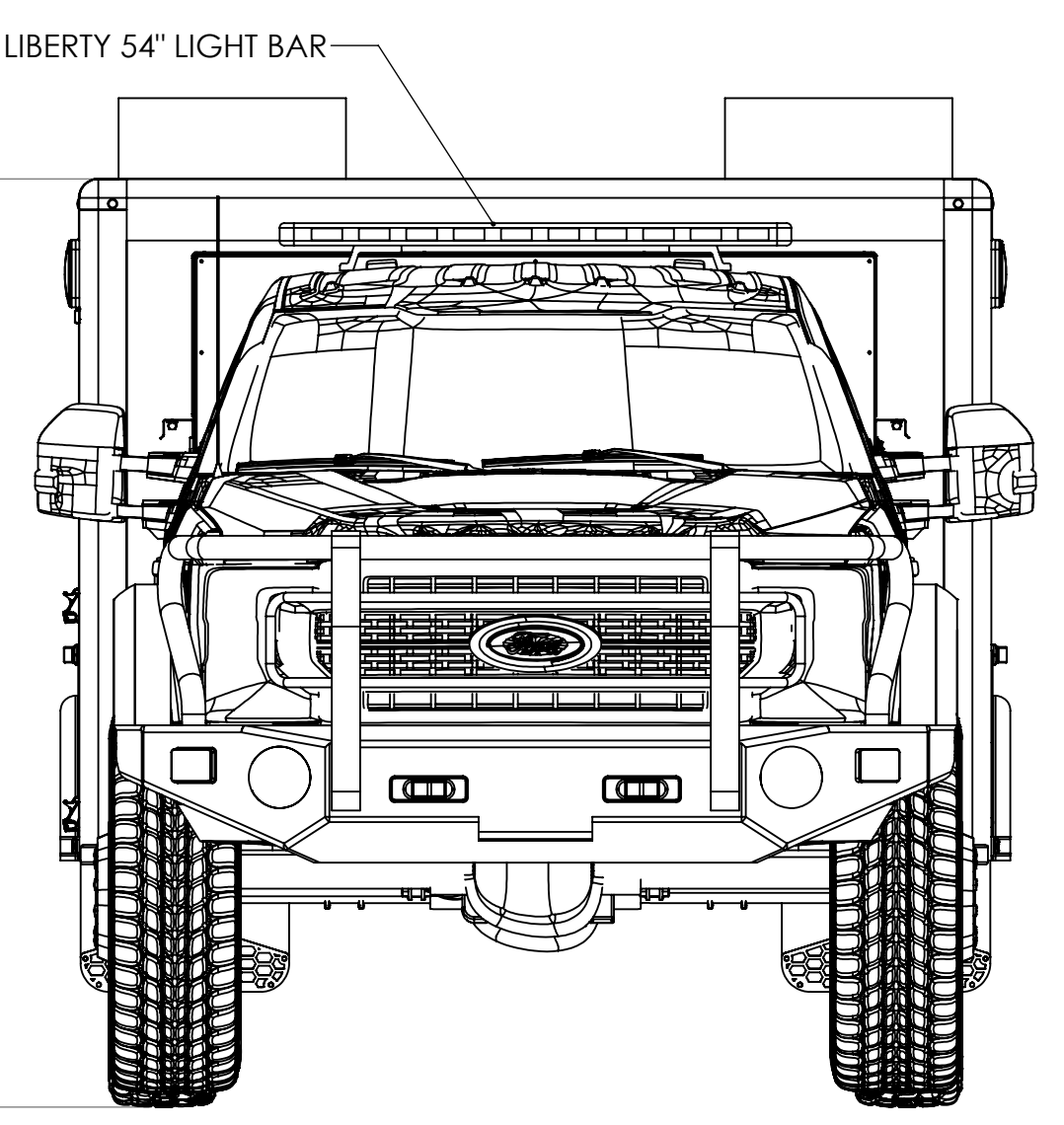
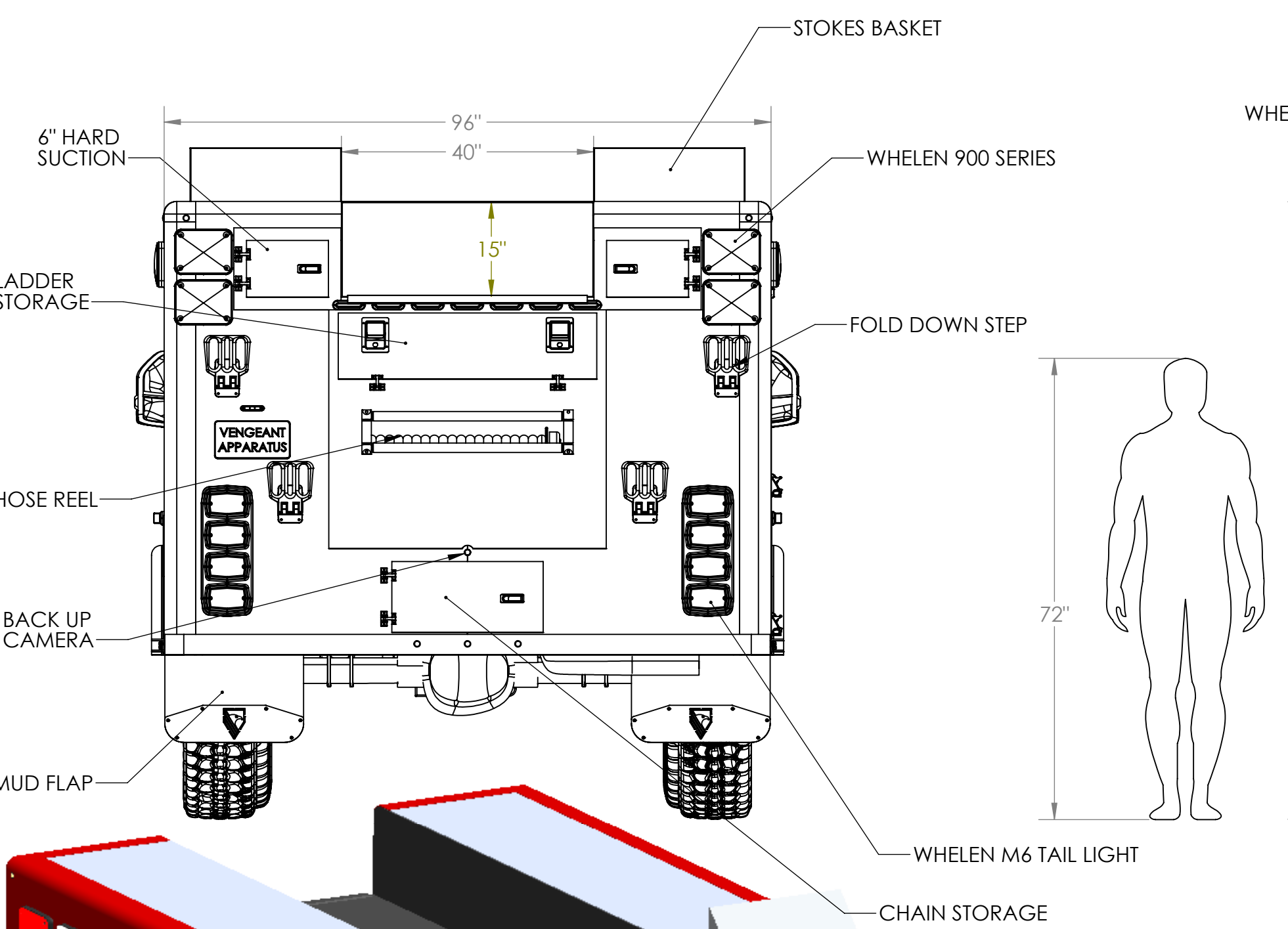
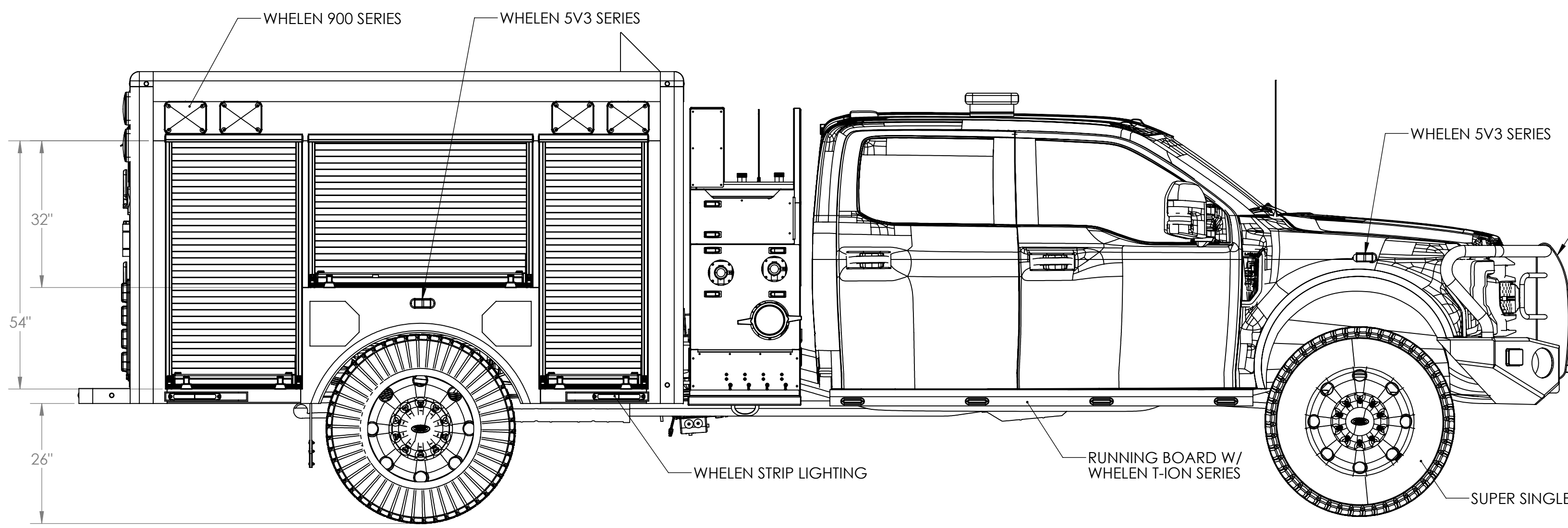
5

4

3

2

1



**\*\*FOR REFERENCE PURPOSES ONLY\*\***



THE INFORMATION CONTAINED IN THIS DRAWING IS THE SOLE PROPERTY OF VENGEANT APPARATUS. ANY REPRODUCTION IN PART OR AS A WHOLE WITHOUT THE WRITTEN PERMISSION OF VENGEANT APPARATUS IS PROHIBITED.

UNLESS OTHERWISE SPECIFIED:  
DIMENSIONS ARE IN INCHES  
TOLERANCES:  
FRACTIONAL: ± 1/16  
ANGULAR: ± 0.50  
TWO PLACE DECIMAL: ± 0.06  
THREE PLACE DECIMAL: ± 0.003

VENGEANT APPARATUS  
DESCRIPTION  
SPECIFICATION SHEET

SIZE DWG. NO. REV  
D KUTZTOWN COMMUNITY C

REV	CHANGE	NAME	DATE	MATERIAL

DO NOT SCALE DRAWING  
DRAWN T. SANDERS 7/27/2022  
SCALE: 1:20 | WEIGHT: SHEET 1 OF 1

8

7

6

5

4

3

2

1