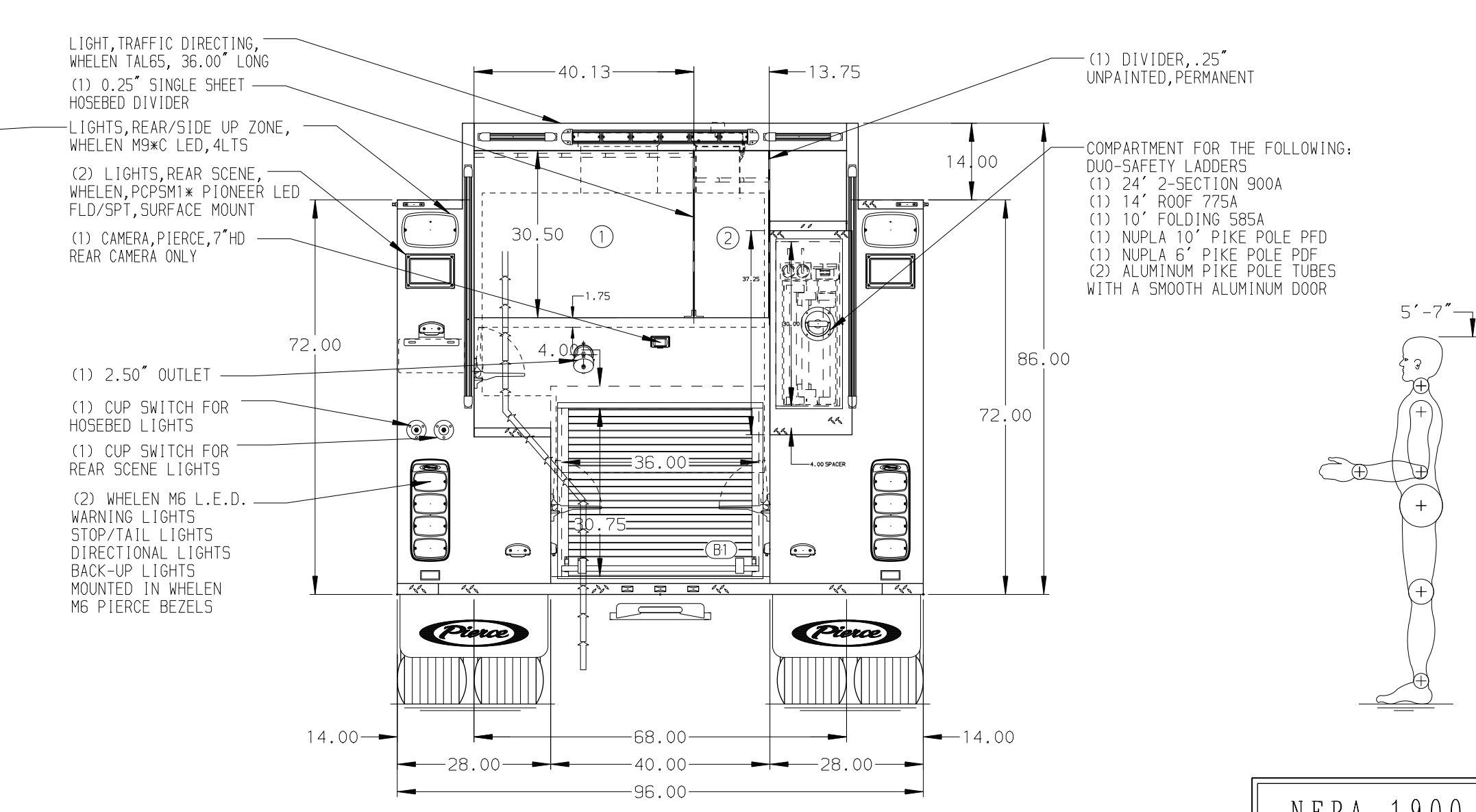
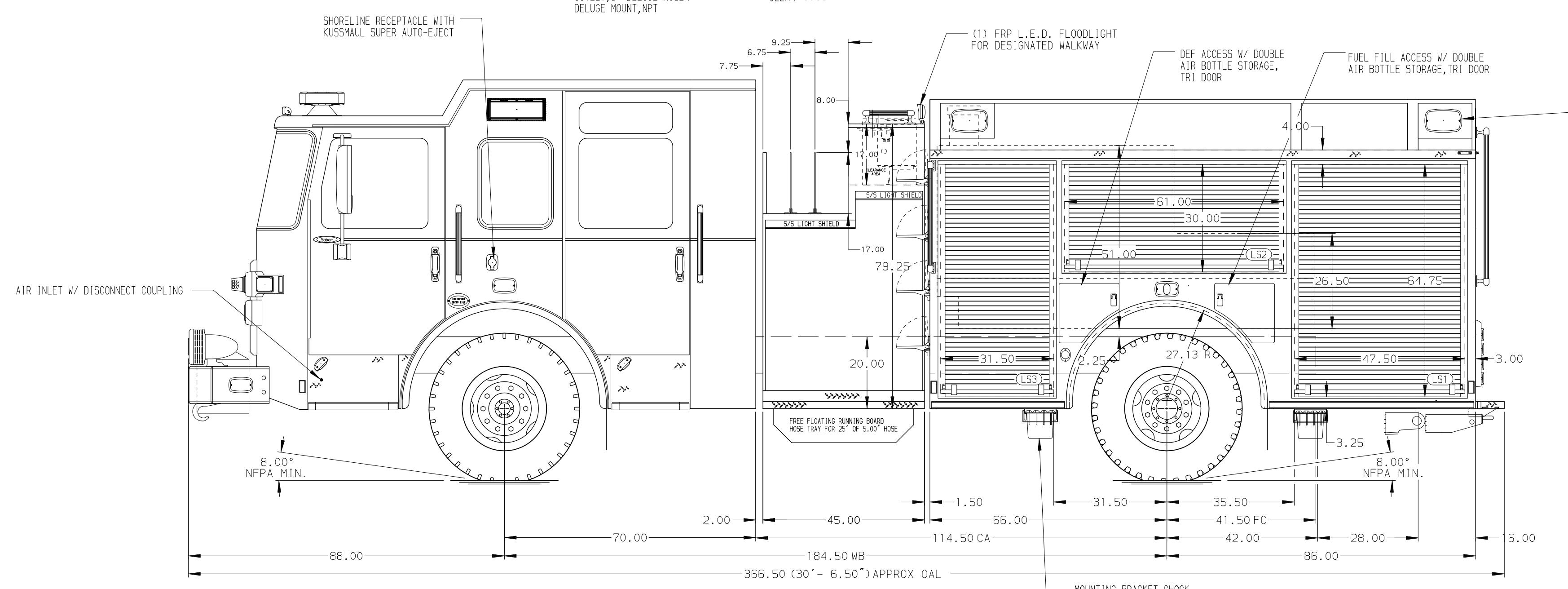


- HOSEBED CAPACITIES
- ① 1000' OF 5.00" D.J. POLY HOSE
 - ② 500' OF 2.50" D.J. POLY HOSE



NOTE
DIMENSIONS SHOWN ARE APPROXIMATE AND ARE SUBJECT TO MINOR DEVIATIONS AS MAY OCCUR OR BE NECESSARY IN CONSTRUCTION. MINOR DETAILS NOT SHOWN.

CHASSIS DATA	TITLE	1500GPM, 750G TANK, 725G WATER, 25G FOAM
MAKE	FOR	PIERCE FIELD UNIT UNIT
MODEL	DWG NO.	43838AD
SABER FR	NO.	

JOB NO.	43838
SCALE	1:24
DATE	
DRAWN BY	KLE
23JAN25	
CHECKED BY	EEM
24JAN25	
SHEET SIZE	D
SHEET NO.	1 OF 1

NFPA 1900 (2024) COMPLIANT

