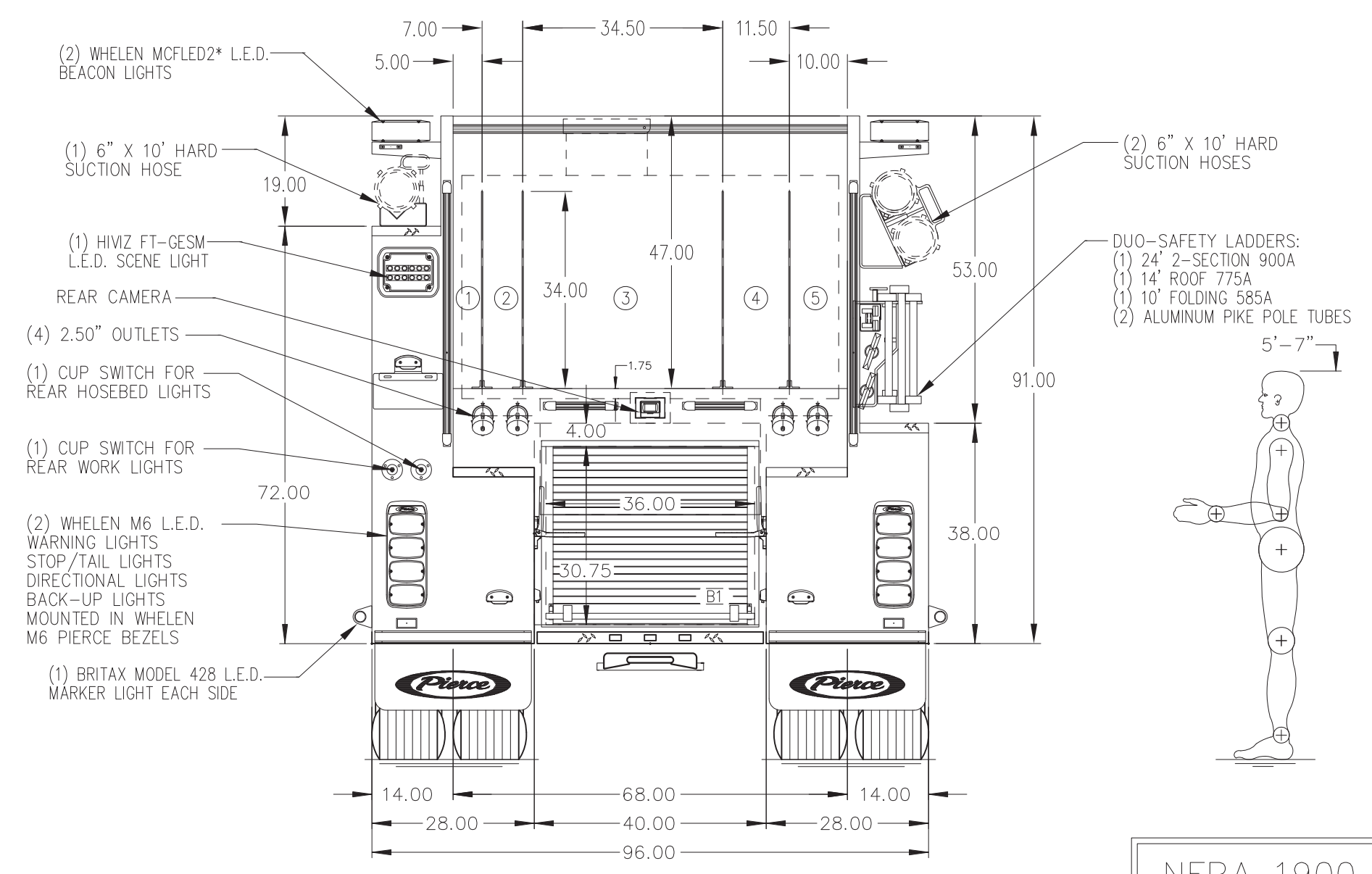
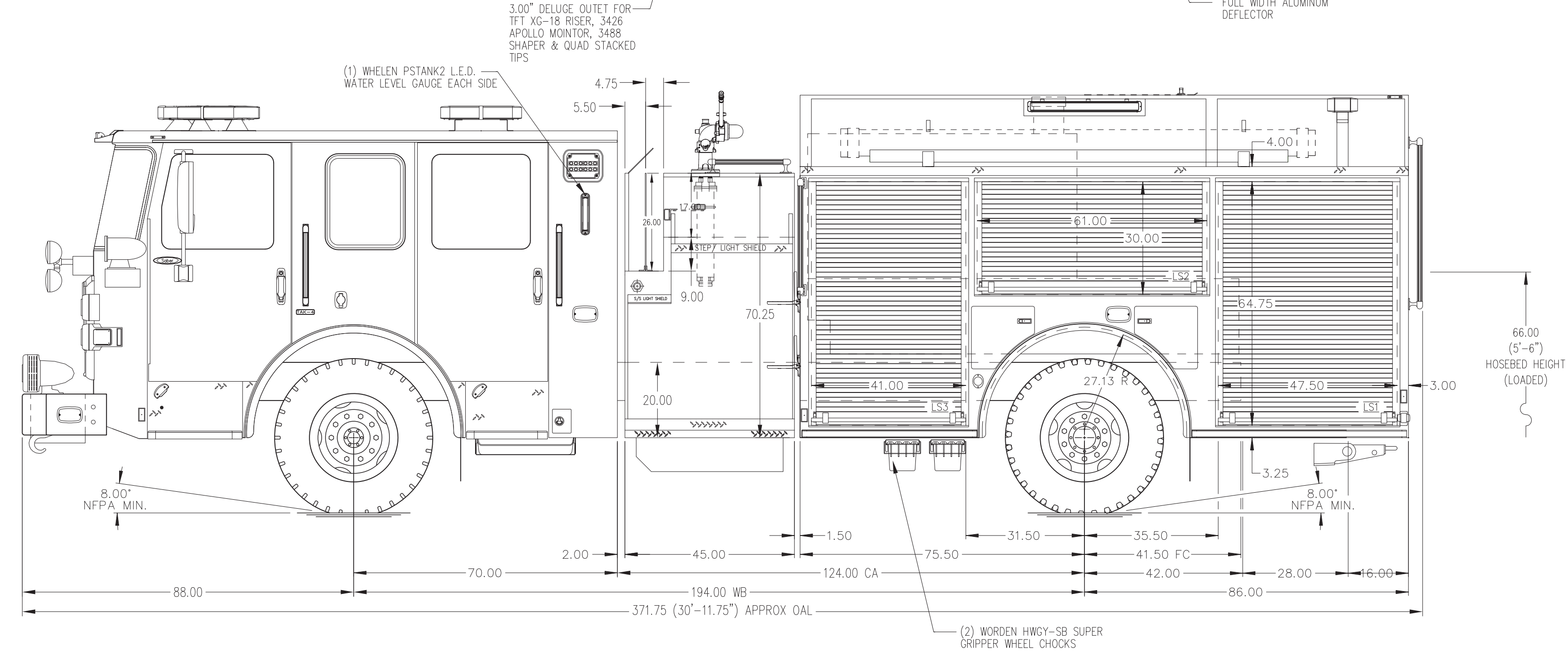


- HOSEBED CAPACITIES
- ① 200' OF 1.75" SINGLE STACK DJ HOSE
 - ② 400' OF 1.75" DOUBLE STACK DJ HOSE
 - ③ 1200' OF 5.00" MERCEDES MEGA FLOW
 - ④ 400' OF 3.00" DOUBLE STACK DJ HOSE
 - ⑤ 400' OF 2.50" DOUBLE STACK DJ HOSE



ALUMINUM BODY

MAXIMUM O.A.H. 9'-10"

SIDE ROLL AND FRONTAL IMPACT PROTECTION

Pierce MANUFACTURING INC.

NFPA 1900 (2024) COMPLIANT

NOTE
DIMENSIONS SHOWN ARE APPROXIMATE AND ARE SUBJECT TO MINOR DEVIATIONS AS MAY OCCUR OR BE NECESSARY IN CONSTRUCTION. MINOR DETAILS NOT SHOWN.

- 1. SHORELINE RECEPTACLE WITH KUSSMAUL SUPER AUTO-EJECT LOCATED ON DRIVER SIDE OF THE CAB
- 2. AIR INLET WITH DISCONNECT COUPLING IN THE DRIVER SIDE STEPWELL
- 3. BATTERY CHARGER LOCATED PER ORDER
- 4. BATTERY CHARGE INDICATOR LOCATED ON THE DRIVER SIDE SEAT RISER

REV	DATE	BY	CH	SABER FR

CHASSIS DATA	TITLE	1500-D-1000 GAL POLY, 161" FH FDLR LS, LOW FDLR RS LADDERS ON RS LADDER RACK, (2) XLYAS
PIERCE	FOR	GLICK FIRE EQUIPMENT COMPANY, INC BIRD-IN-HAND, PA
MODEL	DWG NO.	PRELIMINARY PRINT ONLY

PROPOSAL	1040
SCALE	DATE
DRAWN BY	05JUN2024
CHECKED BY	N/A
SHEET SIZE	SHEET NO.
D	1 OF 1