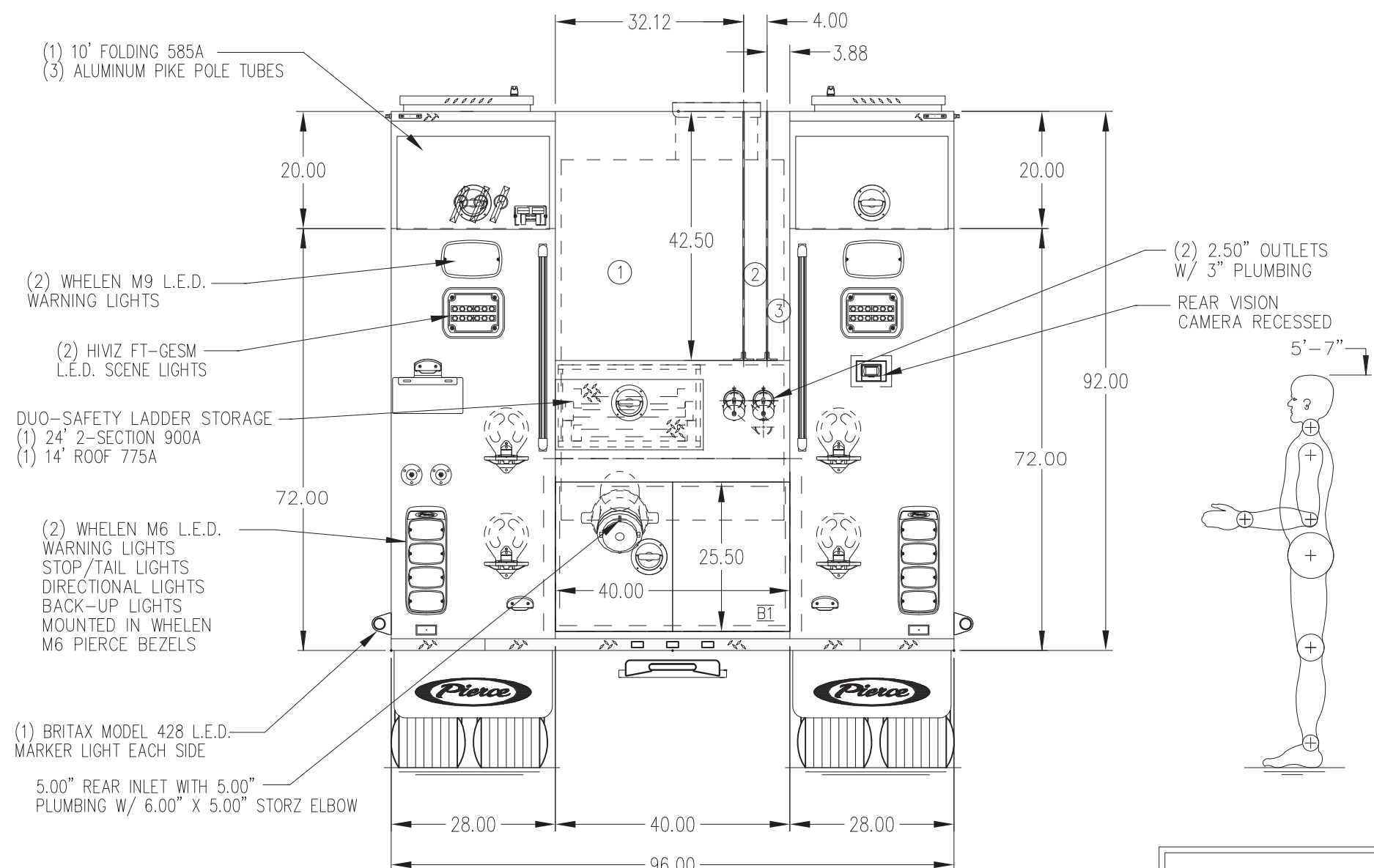
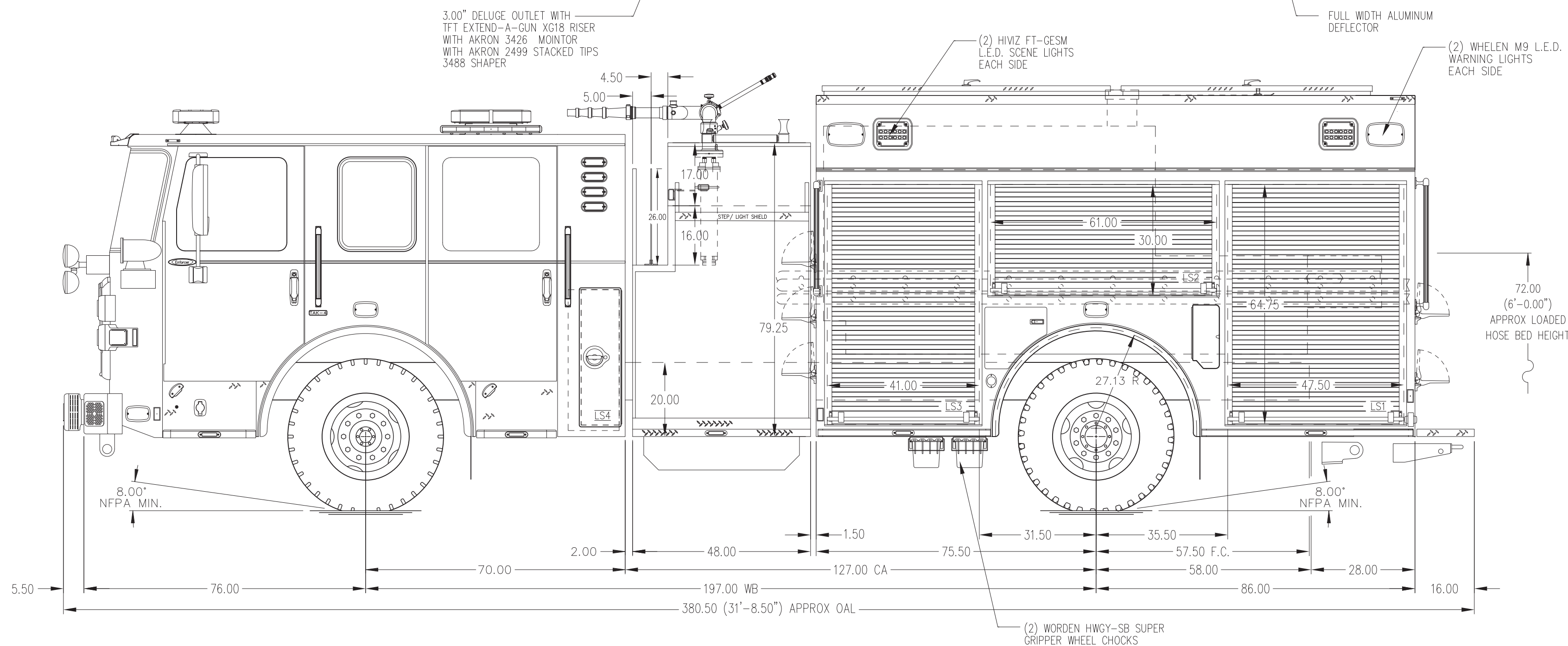


- HOSEBED CAPACITIES
- ① 1200' OF 5.00" D.J. HOSE (DEADLAY)
 - ② 200' OF 1.75" D.J. HOSE (PRECONNECT SINGLE STACK)
 - ③ 300' OF 1.75" D.J. HOSE (PRECONNECT SINGLE STACK)



ALUMINUM BODY

MAX O.A.H. 10'-2.00"

SIDE ROLL AND FRONTAL IMPACT PROTECTION

NOTE
 DIMENSIONS SHOWN ARE APPROXIMATE AND ARE SUBJECT TO MINOR DEVIATIONS AS MAY OCCUR OR BE NECESSARY IN CONSTRUCTION. MINOR DETAILS NOT SHOWN.

- 1. SHORELINE RECEPTACLES LOCATED IN THE DRIVER SIDE STEPPWELL
- 2. AIR INLET WITH DISCONNECT COUPLING IN THE DRIVER SIDE STEPPWELL
- 3. BATTERY CHARGER LOCATED PER ORDER

REV	DATE	BY	CH	ENFORCER

		TITLE	1500-D-750P, 161" PUMPER BODY LADDERS THRU TANK, (2) CROSSLAYS
		FOR	GLICK FIRE EQUIPMENT COMPANY, INC BIRD-IN-HAND, PA
PROPOSAL	920	CHECKED BY	N/A
SCALE	DATE	SHEET SIZE	SHEET NO.
1:24	03MAY2024	D	1 OF 1

NFPA 1900 (2024) COMPLIANT