

PASSENGER'S SIDE COMPARTMENTS CONTAIN THE FOLLOWING:

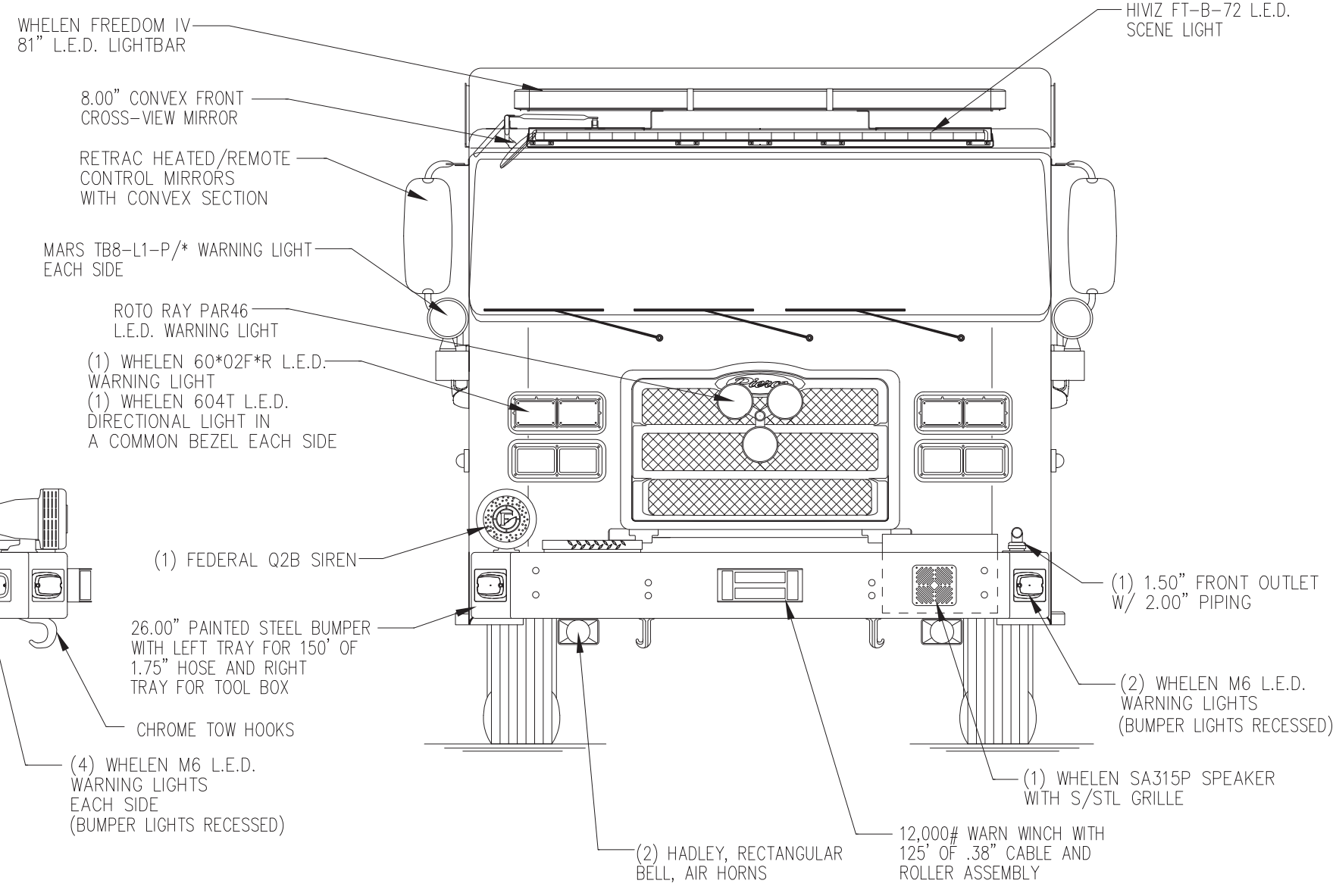
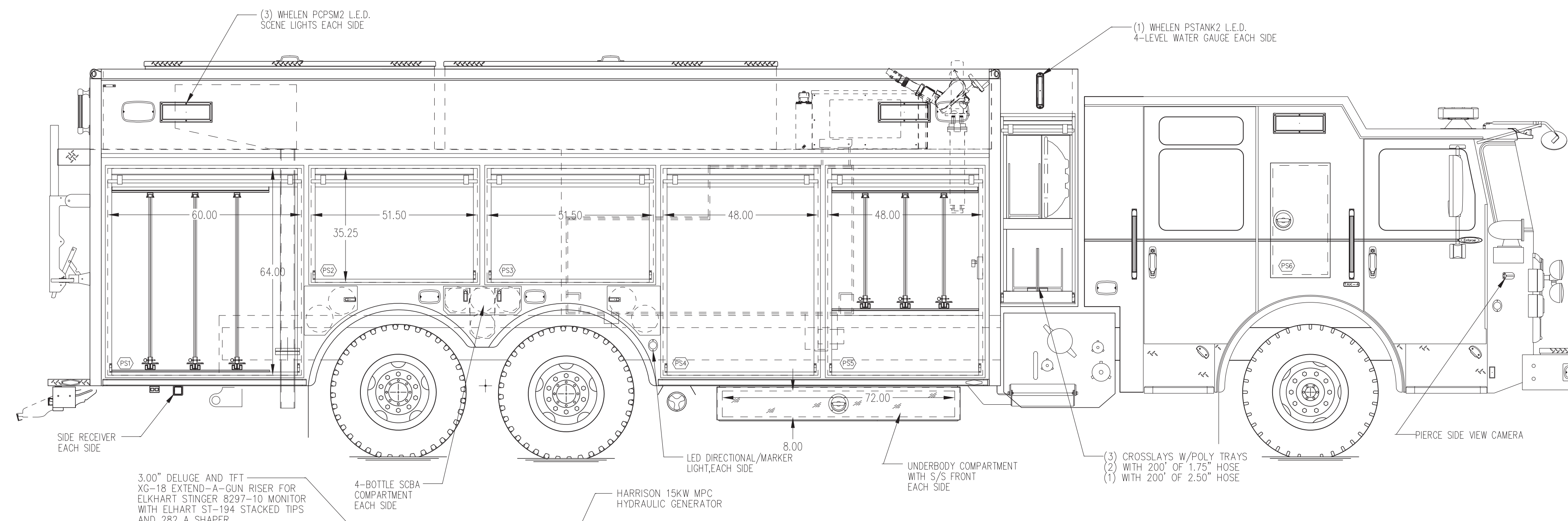
- COMPARTMENT PS1 CONTAINS:
 (1) OIL DRY HOPPER
 (3) STD DEPTH SLIDE OUT TOOLBOARDS

COMPARTMENT PS2 CONTAINS:

COMPARTMENT PS3 CONTAINS:

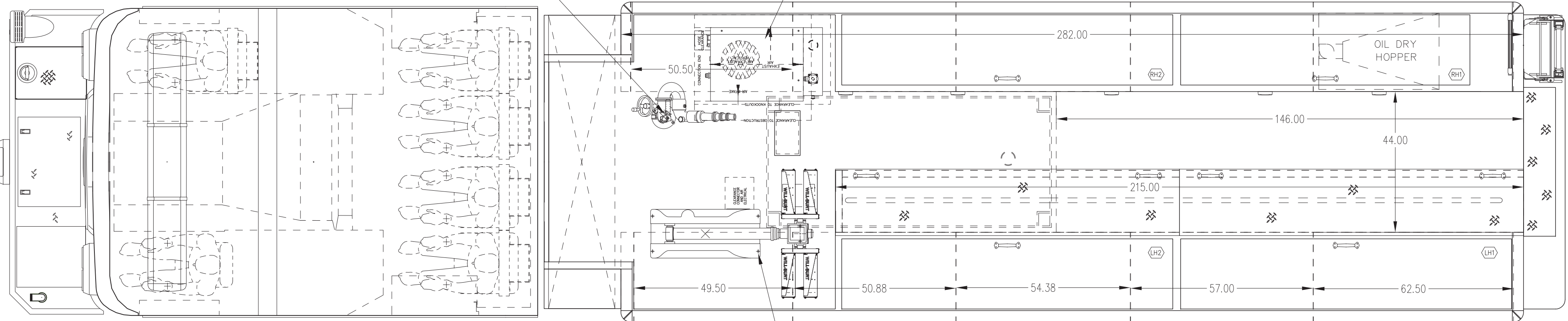
COMPARTMENT PS4 CONTAINS:

- COMPARTMENT PS5 CONTAINS:
 (1) CAB LIFT CONTROLLER
 (3) STD DEPTH SLIDE OUT TOOLBOARDS
 (1) COMPT FLOOR EXTENSION



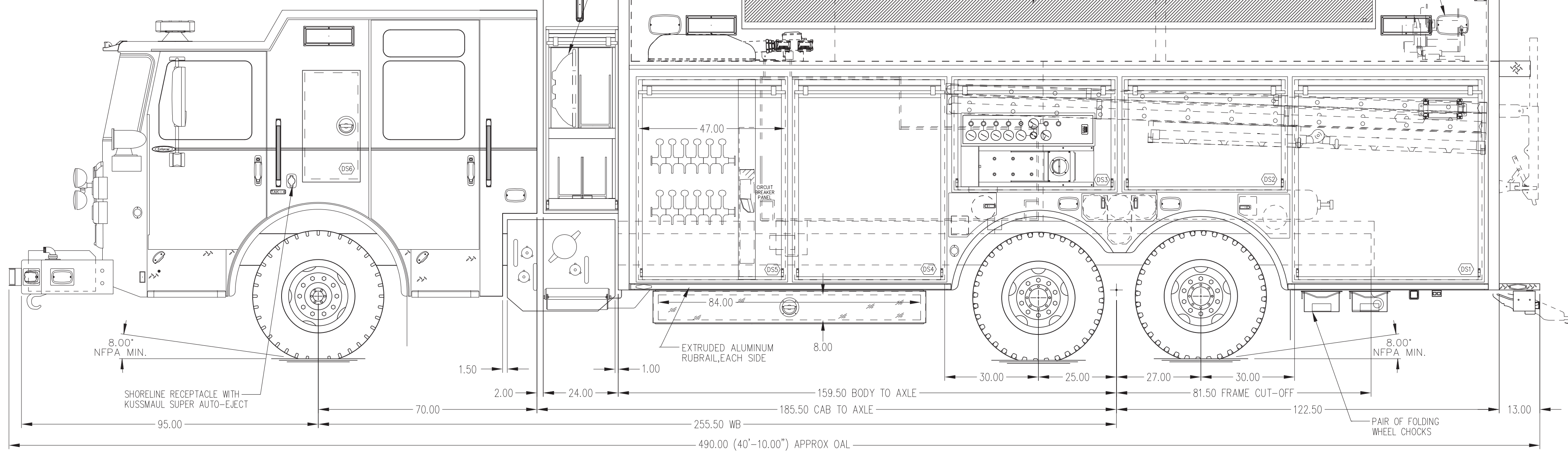
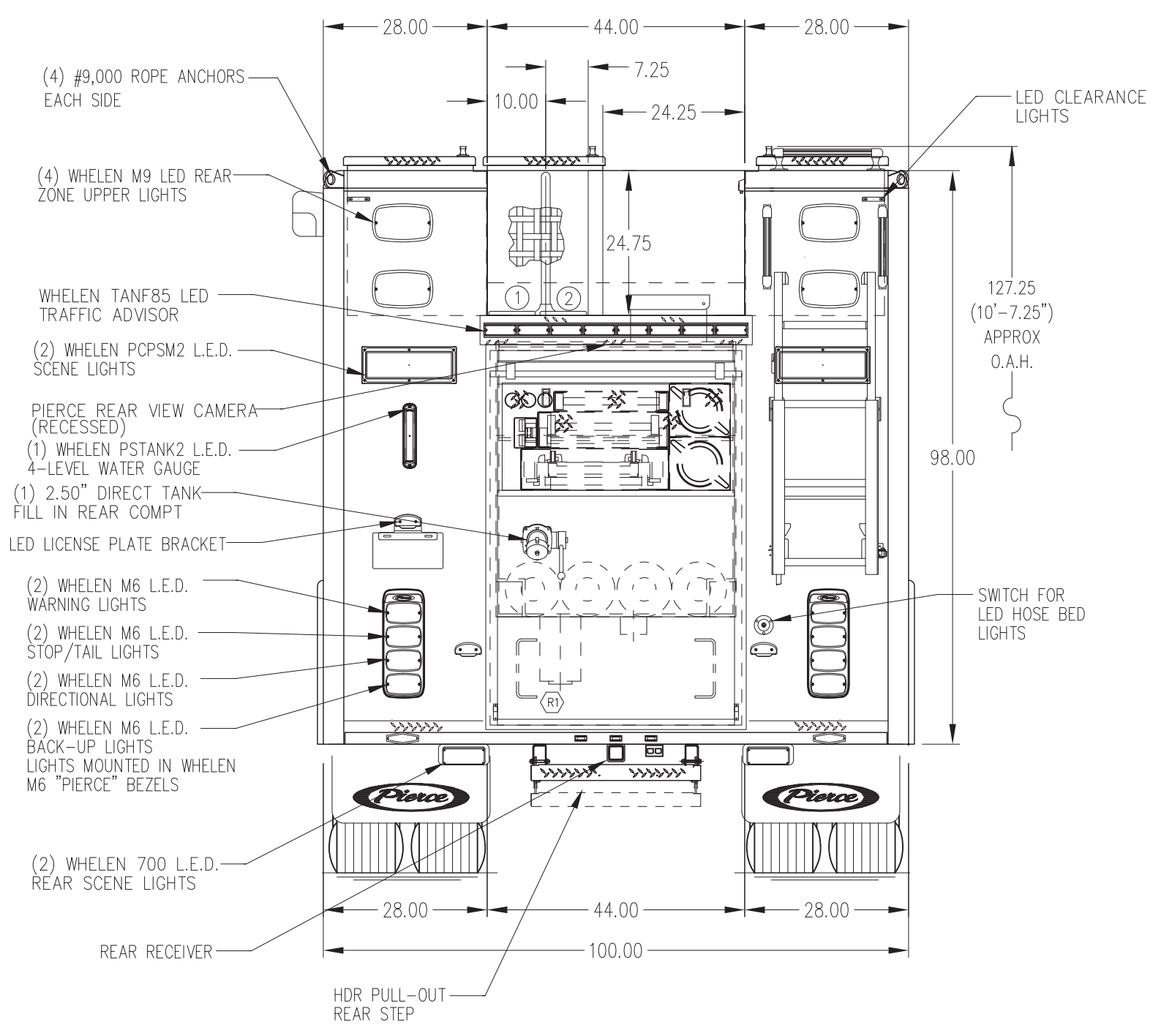
- REAR COMPARTMENT CONTAINS THE FOLLOWING:**
- COMPARTMENT R1 CONTAINS:
 - EQUIPMENT RACK FOR THE FOLLOWING:
 (1) 24' DUO-SAFETY 9004 2-SECT LADDER
 (1) 14' DUO-SAFETY 775A ROOF LADDER
 (1) 10' DUO-SAFETY 585A FOLDING LADDER
 (3) PIKE POLE TUBES
 (1) LITTLE GIANT LADDER
 (2) 10' MAXIFLEX HARD SUCTION HOSE
 - (4) 6000 UN AIR STORAGE BOTTLES

- HOSEBED CAPACITIES**
- ① 500' OF 5.00" LDH HOSE
 - ② 500' OF 2.50" D.I. POLY HOSE



DRIVER'S SIDE COMPARTMENTS CONTAIN THE FOLLOWING:

- COMPARTMENT DS1 CONTAINS:
 (1) ELECTRIC CORD REEL WITH 200' OF 10/3 YELLOW CORD
- COMPARTMENT DS2 CONTAINS:
- COMPARTMENT DS3 CONTAINS:
 (1) CASCADE SYSTEM CONTROL PANEL
 (1) "SPACESAVER" 2-BOTTLE FILL ENCLOSURE
- COMPARTMENT DS4 CONTAINS:
- COMPARTMENT DS5 CONTAINS:
 (1) CIRCUIT BREAKER PANEL
 (1) GENERATOR METER PANEL
 (1) NIGHT SCAN CONTROLLER



ALUMINUM BODY

SIDE ROLL AND FRONTAL IMPACT PROTECTION

NOTE
 DIMENSIONS SHOWN ARE APPROXIMATE AND ARE SUBJECT TO MINOR DEVIATIONS AS MAY OCCUR OR BE NECESSARY IN CONSTRUCTION.
 MINOR DETAILS NOT SHOWN.

REV	DATE	BY	CH	ENFORCER
24JAN23	KRG	-		PIERCE
09DEC22	KRG	-		MODEL

		PROPOSAL	944
		SCALE	DATE
TITLE	HEAVY DUTY RESCUE NO-WALKIN/PUC 500 GALLON WATER	DRAWN BY	KRG
FOR	LAWRENCE TOWNSHIP FIRE COMPANY NO. 1 CLEARFIELD, PA	CHECKED BY	N/A
DWG NO.	PRELIMINARY PRINT ONLY	SHEET SIZE	SHEET NO.
		D	1 OF 1