

(2) FIRE RESEARCH SPECTRA SPA250-Q20 12V L.E.D. SCENE LIGHTS EACH SIDE

(2) TRIPLE AIR BOTTLE COMPARTMENTS WITH STAINLESS STEEL DOOR

ALUMINUM TREADPLATE CROSSLAY COVER (2) CROSSLAY HOSEBEDS FOR 200' OF 1.75" D.J. HOSE WITH 2.00" PIPING

(1) FIRE RESEARCH SPAxxxx-Q20 L.E.D. SCENE LIGHT EACH SIDE

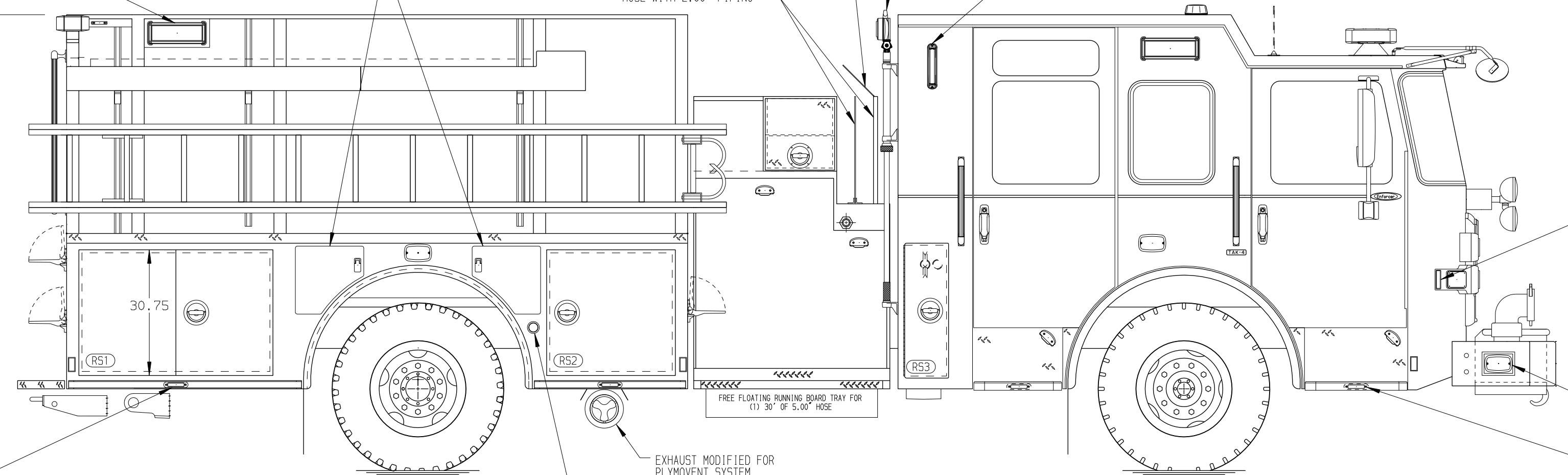
(1) WHELEN PSTANK2 L.E.D. WATER LEVEL GAUGE EACH SIDE

COMMAND ZONE ANTENNA (1) H1V1Z FT-B-72-xx L.E.D. VISOR LIGHT FRONT CROSS VIEW 8.00" CONVEX MIRROR

WHELEN FREEDOM LV-D 81" L.E.D. LIGHTBAR WITH OPTICOM RETRAC HEATED/REMOTE CONTROL MIRRORS WITH CONVEX SECTION

ROTO-RAY 4000W PAR46 L.E.D. WARNING LIGHT WITH CHROME HOUSING

116.00 (9'-8") APPROX O.A.H.



(2) WHELEN W10NSMCK L.E.D. WARNING LIGHTS

(2) ANTENNA MOUNTS

(1) TRUCK-LITE 303757Y L.E.D. DIRECTIONAL/MARKER LIGHT EACH SIDE

EXHAUST MODIFIED FOR PLYMOVENT SYSTEM

FREE FLOATING RUNNING BOARD TRAY FOR 131 30" OF 5.00" HOSE

(1) TRUCK-LITE 19036 L.E.D. DIRECTIONAL LIGHT EACH SIDE

(2) WHELEN M6 L.E.D. WARNING LIGHTS IN A COMMON BEZEL EACH SIDE

(1) WHELEN 600 SERIES L.E.D. DIRECTIONAL/MARKER LIGHT EACH SIDE

(1) 6.00" INLET WITH 5.00" PIPING AND SWIVEL

22.00" PAINTED STEEL BUMPER

RIGHT SIDE HOSE TRAY FOR 30' OF 5" HOSE WITH ROUND ALUMINUM EXTRUSION

(3) WHELEN M6 L.E.D. WARNING LIGHTS EACH SIDE

(2) WHELEN W10N L.E.D. WARNING LIGHTS RECESSED EACH SIDE

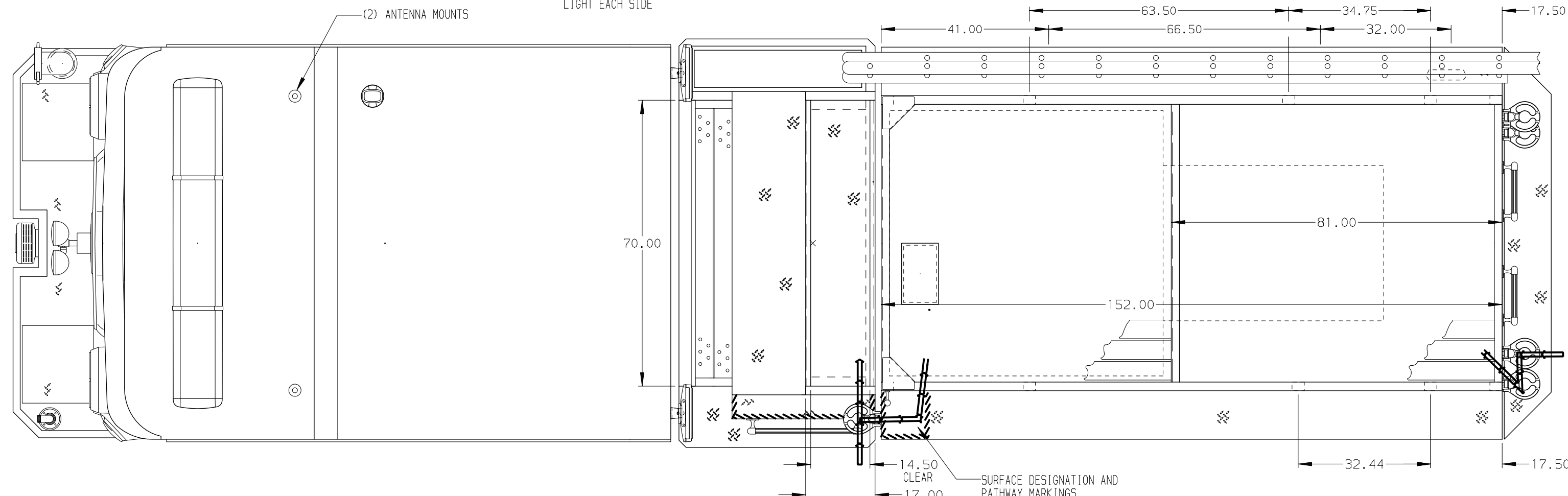
(1) 1.50" OUTLET WITH 2.00" PIPING AND SWIVEL

(1) WHELEN SA315P SPEAKER

LEFT SIDE HOSE TRAY FOR 150' OF 1.75" HOSE WITH ROUND ALUMINUM EXTRUSION

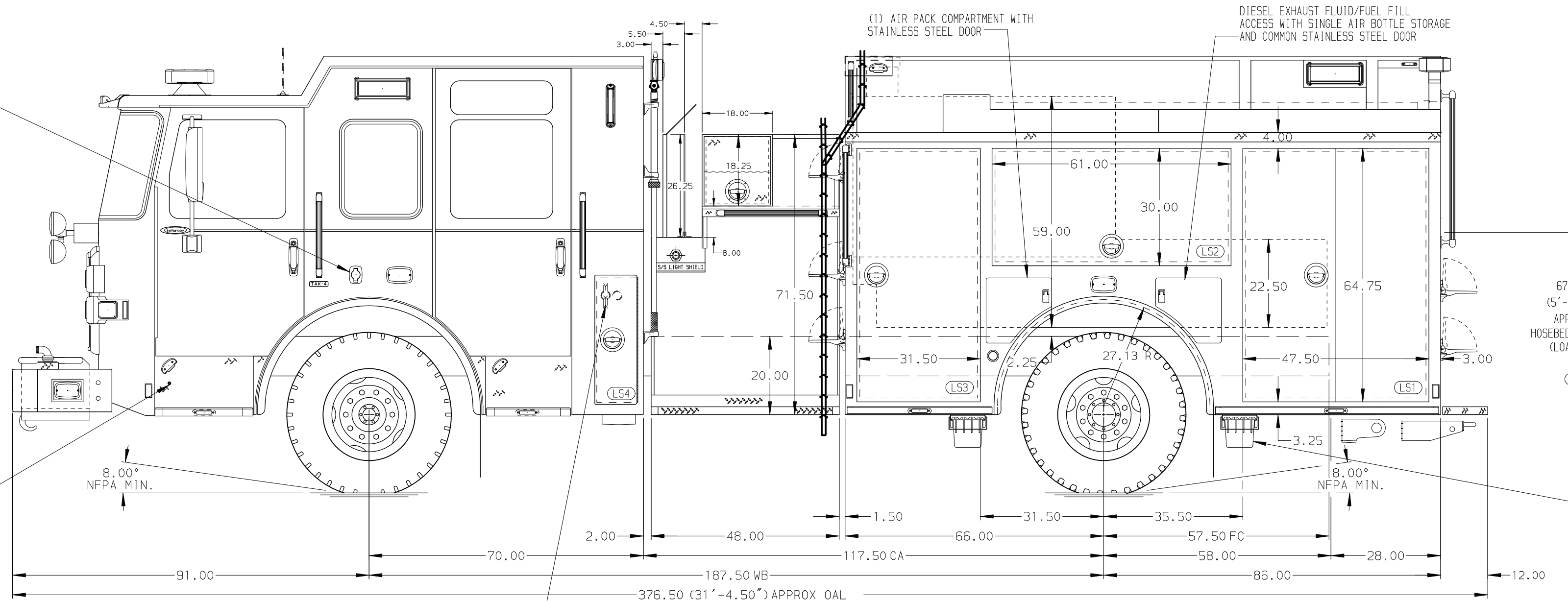
(2) AIR HORNS

(1) FEDERAL Q2B SIREN RECESSED IN NOTCH



- HOSEBED CAPACITIES
- ① 400' OF 1.75" D.J. HOSE
 - ② 300' OF 1.75" D.J. HOSE
 - ③ 1500' OF 5.00" MERCEDES MEGAFLOW HOSE
 - ④ 600' OF 3.00" D.J. HOSE
 - ⑤ 200' OF 2.50" D.J. HOSE

SHORELINE RECEPTACLE WITH KUSSMAUL SUPER AUTO-EJECT



AIR INLET WITH DISCONNECT COUPLING

(1) 6" PIKE POLE (1) ALUMINUM PIKE POLE TUBES EACH SIDE

(1) AIR PACK COMPARTMENT WITH STAINLESS STEEL DOOR

DIESEL EXHAUST FLUID/FUEL FILL ACCESS WITH SINGLE AIR BOTTLE STORAGE AND COMMON STAINLESS STEEL DOOR

(4) HOSEBED DIVIDERS 0.25" SINGLE SHEET WITH HAND HOLD CUTOUT

(2) 6" X 10" HARD SUCTION HOSE (CTF) WITH PAINTED ALUMINUM CAPPED TROUGH

(1) H1V1Z FT-GEM L.E.D. SCENE LIGHT EACH SIDE

(1) WHELEN PSTANK2 L.E.D. WATER LEVEL GAUGE

(3) 2.50" OUTLETS

(1) CUP SWITCH FOR HOSEBED LIGHTS

(1) CUP SWITCH FOR REAR SCENE LIGHTS

(2) WHELEN M6 L.E.D. WARNING LIGHTS

(2) WHELEN M6 L.E.D. STOP/TAIL LIGHTS

(2) WHELEN M6 L.E.D. DIRECTIONAL LIGHTS

(2) WHELEN M6 L.E.D. BACK-UP LIGHTS

(2) WHELEN W10N L.E.D. WARNING LIGHTS RECESSED

(2) WHELEN W10N L.E.D. WARNING LIGHTS RECESSED

(2) WHELEN W10N L.E.D. WARNING LIGHTS RECESSED

(2) WHELEN W10N L.E.D. WARNING LIGHTS RECESSED

(2) WHELEN W10N L.E.D. WARNING LIGHTS RECESSED

(2) WHELEN W10N L.E.D. WARNING LIGHTS RECESSED

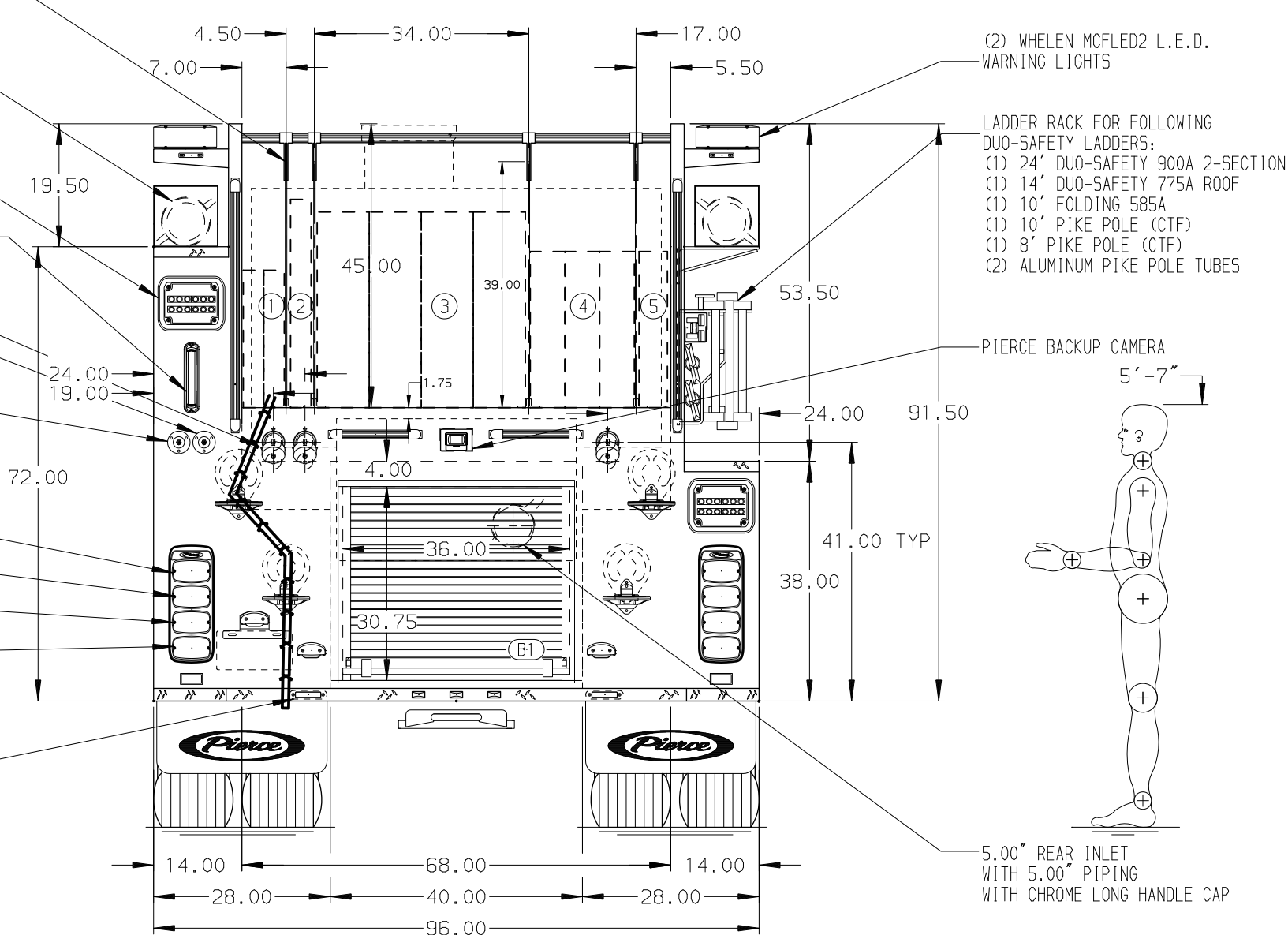
(2) WHELEN W10N L.E.D. WARNING LIGHTS RECESSED

(2) WHELEN W10N L.E.D. WARNING LIGHTS RECESSED

(2) WHELEN W10N L.E.D. WARNING LIGHTS RECESSED

(2) WHELEN W10N L.E.D. WARNING LIGHTS RECESSED

(2) WHELEN W10N L.E.D. WARNING LIGHTS RECESSED



(2) WHELEN MFLD2 L.E.D. WARNING LIGHTS

LADDER BACK FOR FOLLOWING DUO-SAFETY LADDERS:

- (1) 24" DUO-SAFETY 900A 2-SECTION
- (1) 14" DUO-SAFETY 775A ROOF
- (1) 10" FOLDING 585A
- (1) 10" PIKE POLE (CTF)
- (1) 8" PIKE POLE (CTF)
- (2) ALUMINUM PIKE POLE TUBES

PIERCE BACKUP CAMERA 5'-7"

5.00" REAR INLET WITH 5.00" PIPING WITH CHROME LONG HANDLE CAP

ALUMINUM BODY

SIDE ROLL AND FRONTAL IMPACT PROTECTION

NOTE
DIMENSIONS SHOWN ARE APPROXIMATE AND ARE SUBJECT TO MINOR DEVIATIONS AS MAY OCCUR OR BE NECESSARY IN CONSTRUCTION. MINOR DETAILS NOT SHOWN.

1. ONSPOT AUTOMATIC TIRE CHAINS TO BE PROVIDED AT REAR
2. ROSCO DV X44 DUAL FORWARD AND INTERIOR CAMERA MOUNTED INSIDE OF FRONT WINDSHIELD
3. BATTERY CHARGER LOCATED BEHIND DRIVER'S SEAT
4. BATTERY CHARGER INDICATOR LOCATED ON DRIVER'S SEAT RISER
5. DUAL L.E.D. LIGHT STRIPS LOCATED IN HOSE BED
6. L.E.D. LIGHT STRIP LOCATED ON THE FRONT OF THE HOSEBED
7. DRIP PAN GUARD FOR ROLL-UP DOOR LOCATED PER ORDER
8. REVERSED HINGED DOOR ON COMPARTMENTS PER ORDER

9. THREE FULL WIDTH/DEPTH ADJUSTABLE SHELF IN COMPARTMENTS PER ORDER
10. FOUR FULL WIDTH/DEPTH FLOOR MOUNTED SLIDE-OUT TRAY WITH SIDE SLIDES IN COMPARTMENTS PER ORDER
11. ONE VERTICAL PARTITION IN COMPARTMENTS PER ORDER
12. ONE ALUMINUM MOUNTING PLATE IN COMPARTMENTS PER ORDER
13. TOOL BOARD MOUNTED ON THE BACK WALL OF COMPARTMENTS PER ORDER
14. SIX 120V DUPLEX RECEPTACLE LOCATED PER ORDER

REV	DATE	BY	CH	ENFORCER
30JAN24	JAM	GKH		MAKE
13DEC23	JAM	GKH		PIERCE
29SEP23	CDU	NPE		MODEL

TITLE	FOR	DWG NO.
1500-D-1000P, 152" FH LS, LOW RH, FDLER (2) CROSSLAYS, DELUGE, LADDER BRACKETS	UNION FIRE & HOSE CO. #1 DOVER, PENNSYLVANIA	38731AD

JOB NO.	SCALE	DATE	DRAWN BY	CHECKED BY	SHEET SIZE	SHEET NO.
38731	1:24		JAM	CDU	D	1 OF 1