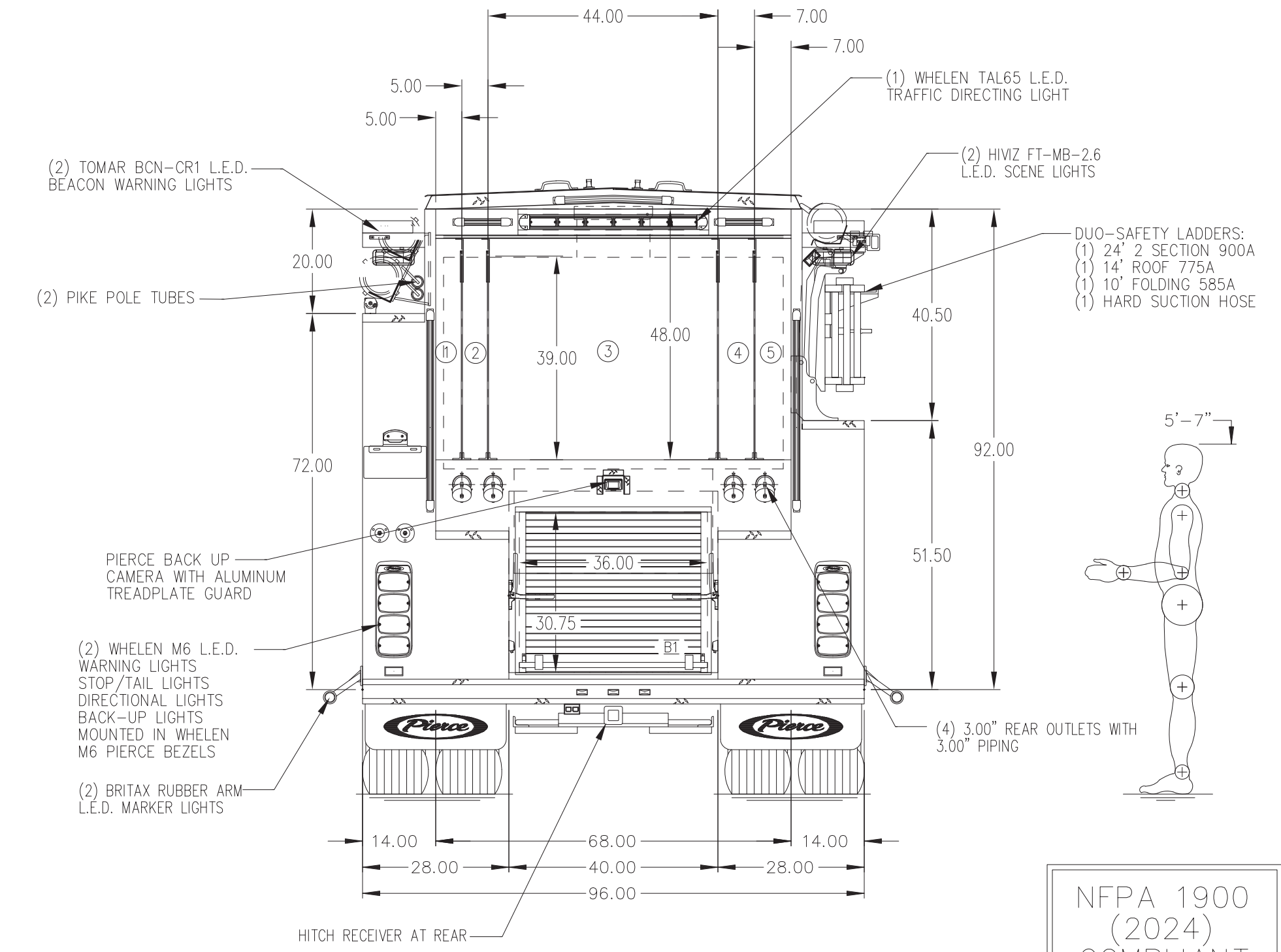
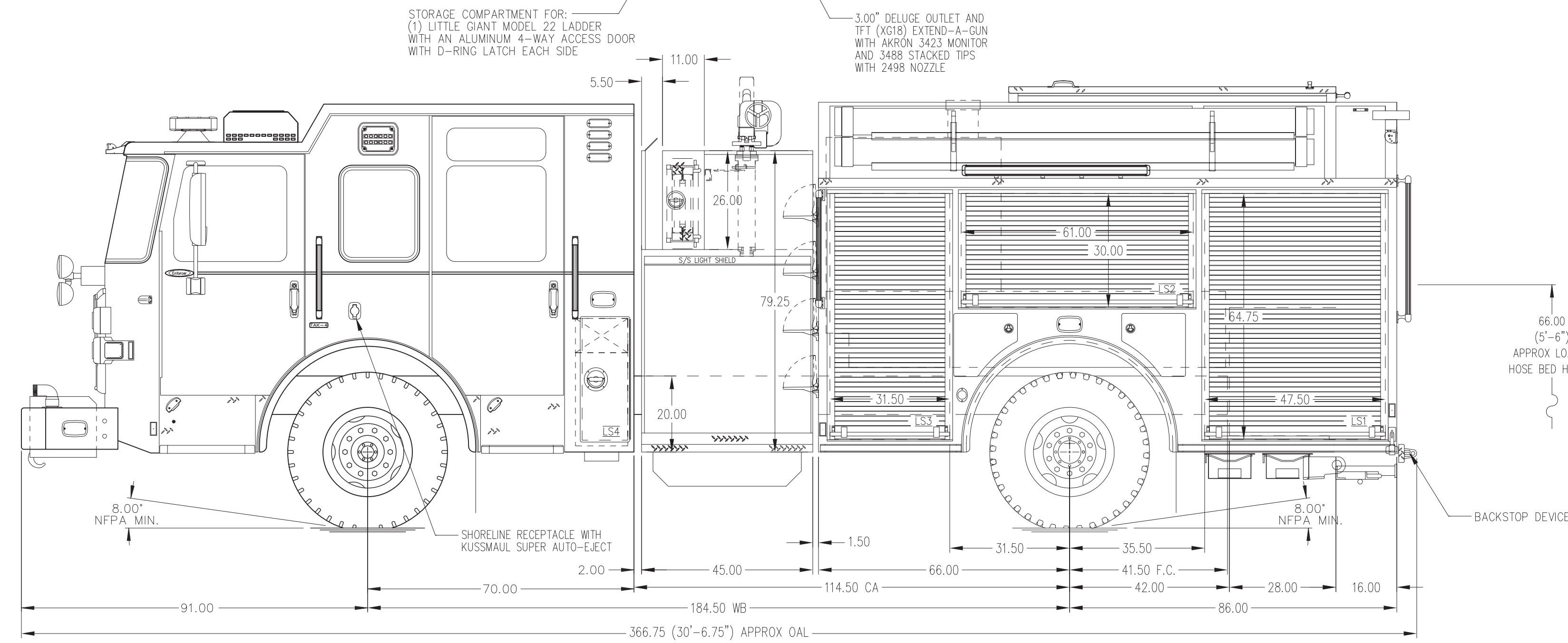


- HOSEBED CAPACITIES**
- ① 300' OF 2.00" COMBAT READY KEY HOSE - PRECONNECTED SINGLE STACK
 - ② 300' OF 2.00" COMBAT READY KEY HOSE - PRECONNECTED SINGLE STACK
 - ③ 1500' OF 5.00" BIG 10 KEY HOSE
 - ④ 500' OF 3.00" KEY HOSE - PRECONNECTED SINGLE STACK
 - ⑤ 500' OF 3.00" KEY HOSE - PRECONNECTED SINGLE STACK



ALUMINUM BODY

MAXIMUM O.A.L. 31'-0.00"

SIDE ROLL AND FRONTAL IMPACT PROTECTION



NFPA 1900 (2024) COMPLIANT

NOTE
DIMENSIONS SHOWN ARE APPROXIMATE AND ARE SUBJECT TO MINOR DEVIATIONS AS MAY OCCUR OR BE NECESSARY IN CONSTRUCTION. MINOR DETAILS NOT SHOWN.

REV	DATE	BY	CH	ENFORCER
11OCT24	KRG	-		PIERCE
22JUL24	KRG	-		MODEL

TITLE	2000-D-750P, 152" PUMPER BODY ZICO LADDER RACK, BOOSTER REEL
FOR	UPPER MAKEFIELD FIRE COMPANY WASHINGTON CROSSING, PA
DWG NO.	PRELIMINARY PRINT ONLY

PROPOSAL	851
SCALE	1:24
DATE	
DRAWN BY	KRG
CHECKED BY	N/A
SHEET SIZE	D
SHEET NO.	1 OF 1