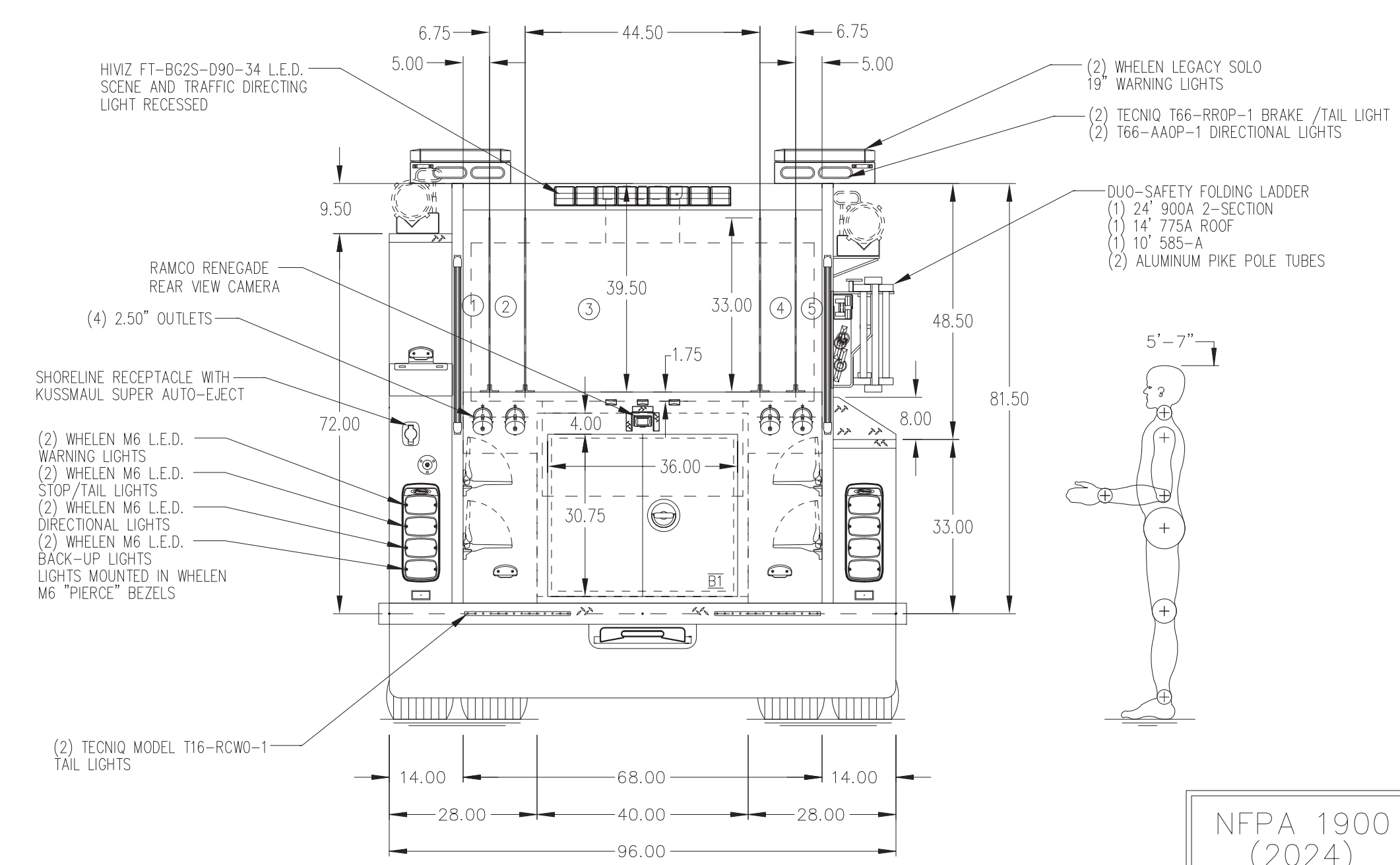
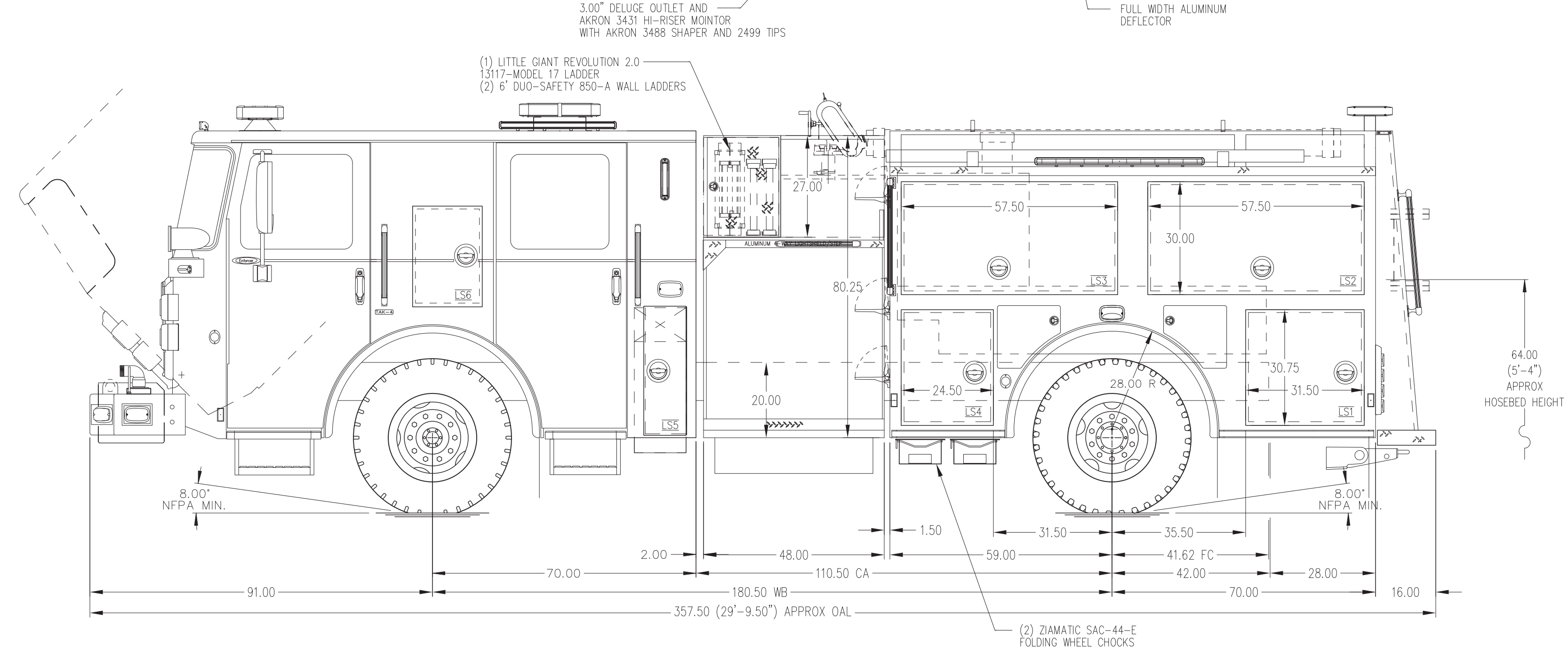


- HOSEBED CAPACITIES**
- ① 300' OF 1.75" COMBAT READY KEY HOSE
 - ② 300' OF 2.50" COMBAT READY KEY HOSE
 - ③ 1500' OF 5.00" ECO-10 KEY HOSE
 - ④ 300' OF 2.50" DJ HOSE
 - ⑤ 400' OF 1.75" KEY HOSE



ALUMINUM BODY

SIDE ROLL AND FRONTAL IMPACT PROTECTION

NOTE
DIMENSIONS SHOWN ARE APPROXIMATE AND ARE SUBJECT TO MINOR DEVIATIONS AS MAY OCCUR OR BE NECESSARY IN CONSTRUCTION. MINOR DETAILS NOT SHOWN.

- 1. AIR INLET WITH DISCONNECT COUPLING IN THE DRIVER SIDE STEPWELL
- 2. BATTERY CHARGER LOCATED BEHIND THE DRIVER'S SEAT

REV	DATE	BY	CH	ENFORCER
▽	16SEP24	KRG	-	CHASSIS DATA
▽	03SEP24	KRG	-	MAKE
▽	12JUL24	KRG	-	PIERCE
▽				MODEL

		PROPOSAL	945
		SCALE	DATE
TITLE	2000-D-500P, 129" FH DS / LOW PS LADDERS ON PS, BOOSTER REEL	DRAWN BY	KRG
FOR	THE NEWTOWN EMERGENCY SERVICES DEPARTMENT NEWTOWN, PA	CHECKED BY	N/A
DWG NO.	PRELIMINARY PRINT ONLY	SHEET SIZE	D
		SHEET NO.	1 OF 1