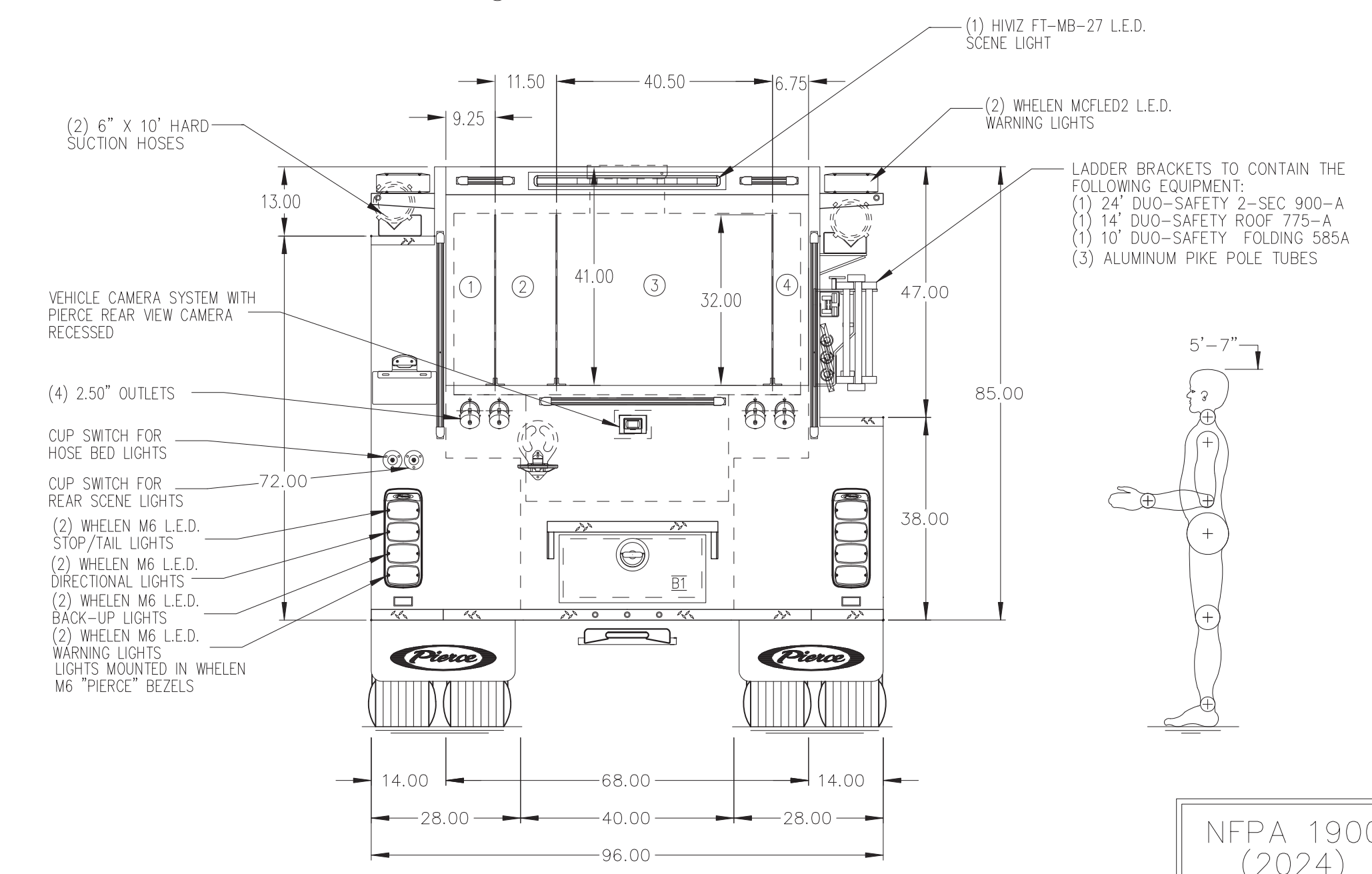


- HOSEBED CAPACITIES
- ① - 300' OF 2.50" D.J. POLY HOSE
 - ② - 300' OF 3.00" D.J. POLY HOSE
 - ③ - 1200' OF 5.00" LDH HOSE
 - ④ - 400' OF 1.75" D.J. POLY HOSE



ALUMINUM BODY

NOTE
 DIMENSIONS SHOWN ARE APPROXIMATE AND ARE SUBJECT TO MINOR DEVIATIONS AS MAY OCCUR OR BE NECESSARY IN CONSTRUCTION.
 MINOR DETAILS NOT SHOWN.

CHASSIS DATA	TITLE	1500-D-1000 GAL POLY, 152" FH FDLER LS, LOW FDLER RS LADDERS ON RS LADDER RACK, (2) XLAYS	PROPOSAL	917
MAKE	FOR	GLICK FIRE EQUIPMENT COMPANY, INC (JOB #42842)	SCALE	DATE
PIERCE	DWG NO.	BIRD-IN-HAND, PA	DRAWN BY	KRG
MODEL			CHECKED BY	N/A
SABER FR			SHEET SIZE	D
				SHEET NO.
				1 OF 1

Pierce MANUFACTURING INC.

NFPA 1900 (2024) COMPLIANT