

PUMPER BODY

Long Aluminum 2nd Gen Pumper

CHASSIS

Sober FR Chassis

CHASSIS AXLE, FRONT, CUSTOM

18,000 Lb Dana Axle

AXLE, REAR

24,000 Lb Dana Axle

ENGINE

450 HP Cummins L9 Engine

TRANSMISSION

Allison 5th Gen, 3000 EVS P

BUMPER

19" Extended Chicago Style

CAB

6010 Sober FR Cab

BODY WATER TANK

1000 Gallon New York Style Water Tank

COMPT, PUMPER, REAR

30.75" FF RollUp Rear Compt

COMPT, PUMPER, LEFT SIDE

161" RollUp Full Height Front & Rear FDLR

COMPT, PUMPER, RIGHT SIDE

161" RollUp Low FDLR

FIRE SUPPRESSION PUMPHOUSE

45" Control Zone Side Mount

PUMP

1500 GPM Waterous CXC20

CROSSLAYS, 1.50"

(2) 1.50" Standard Capacity, Overhead Piping

CROSSLAYS, 2.50"

2.50" Crosslay Not Required

SPEEDLAYS

Speedlays Not Required

GENERATOR

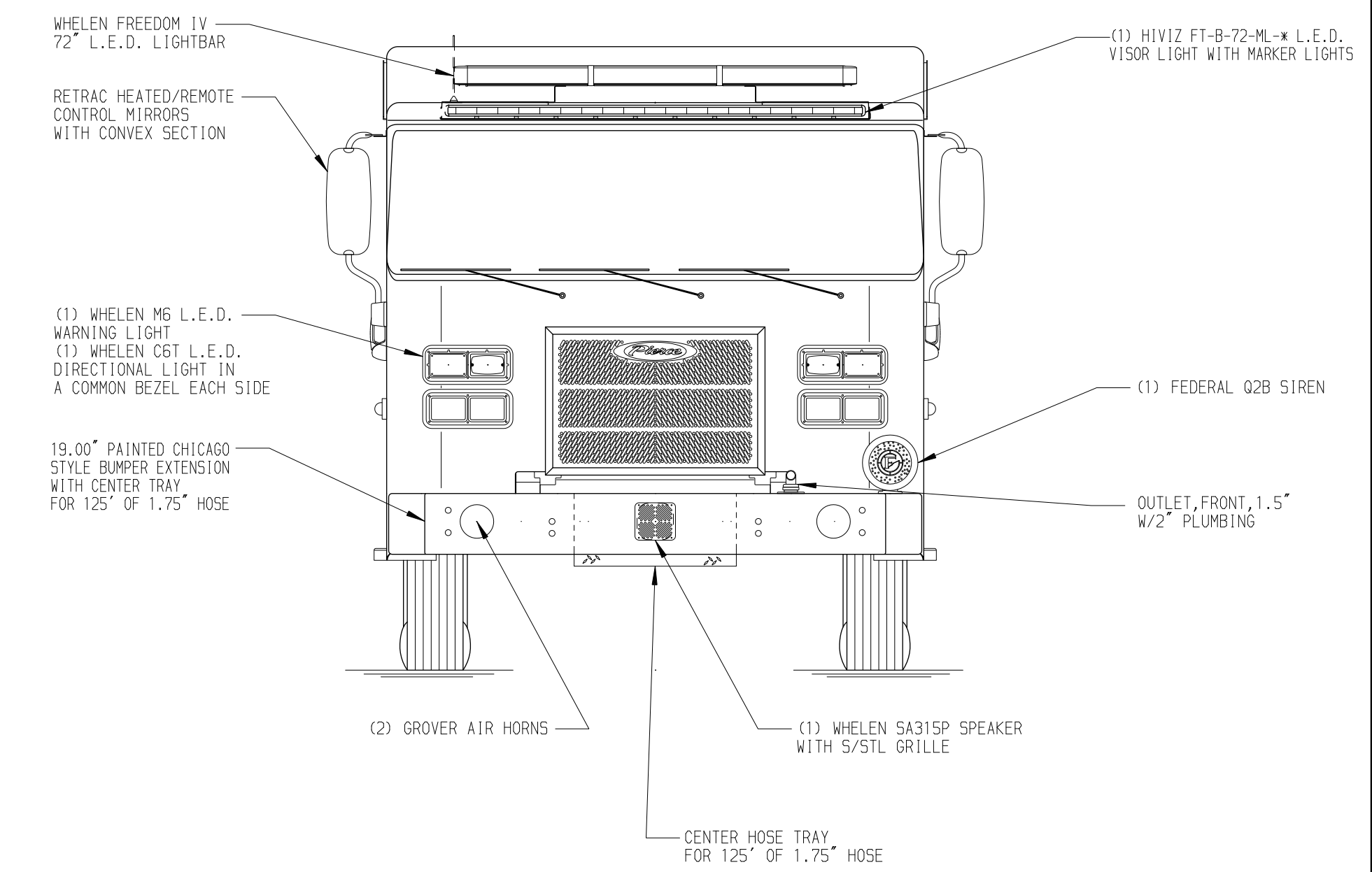
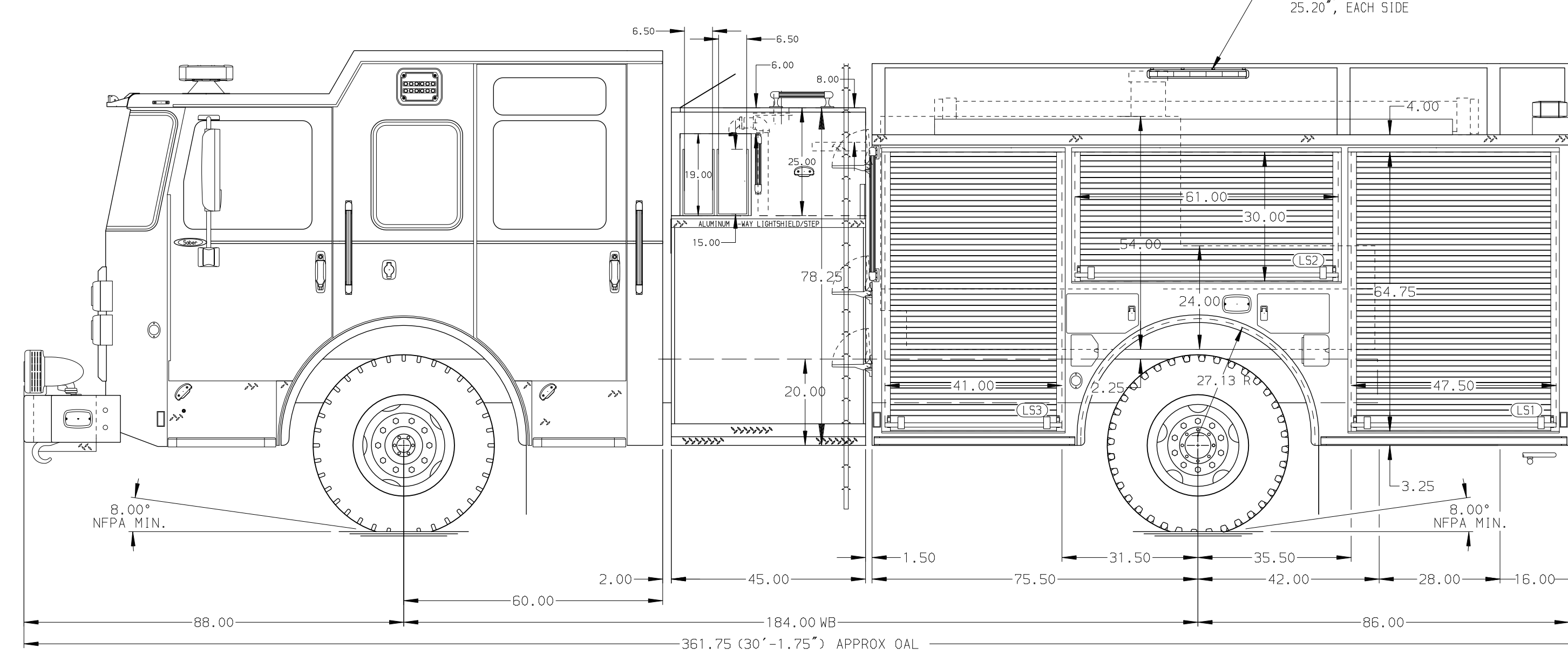
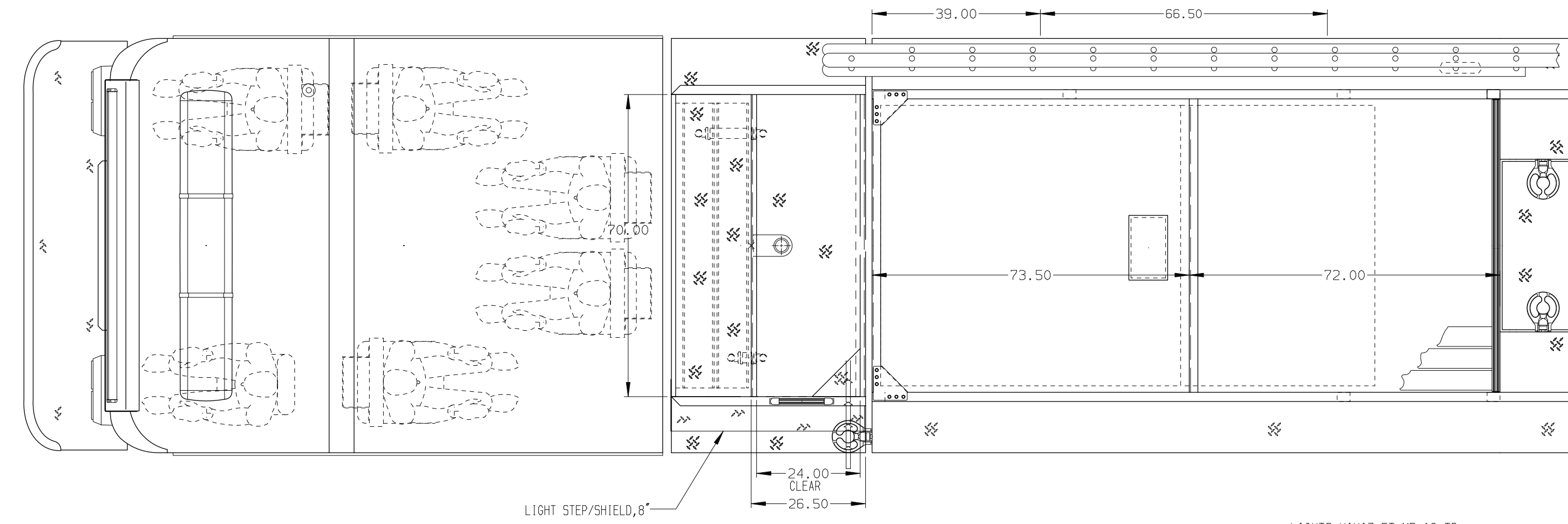
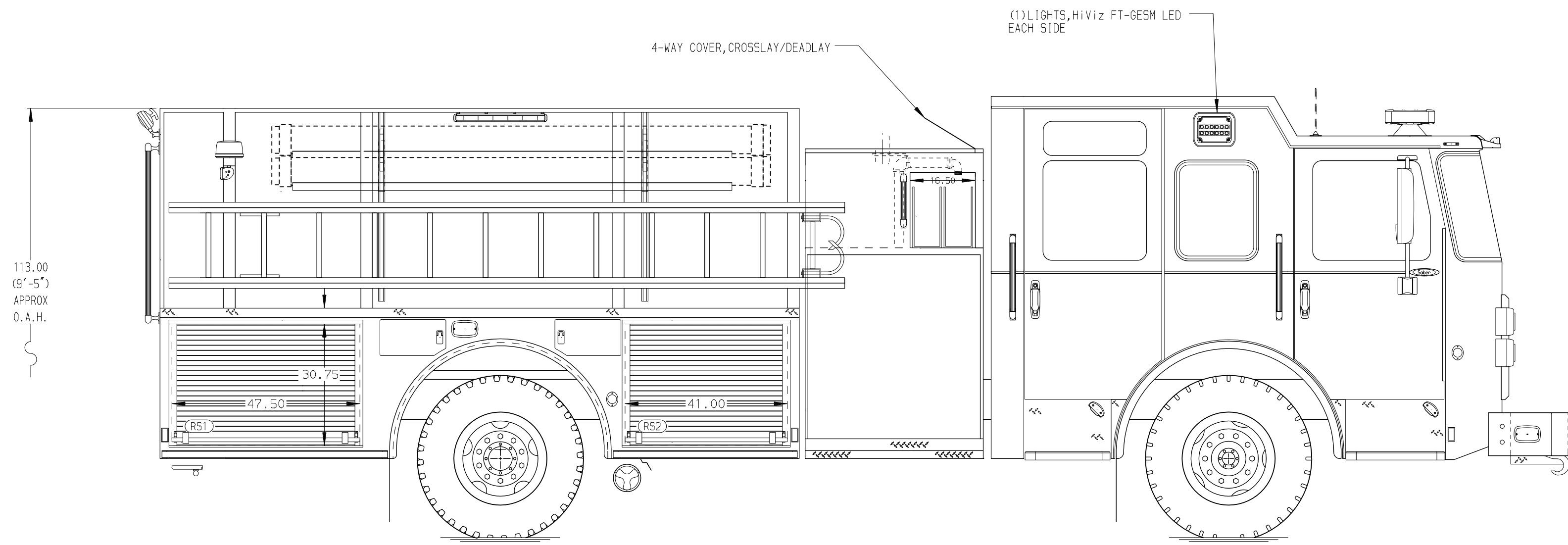
Generator Not Required

Foam System

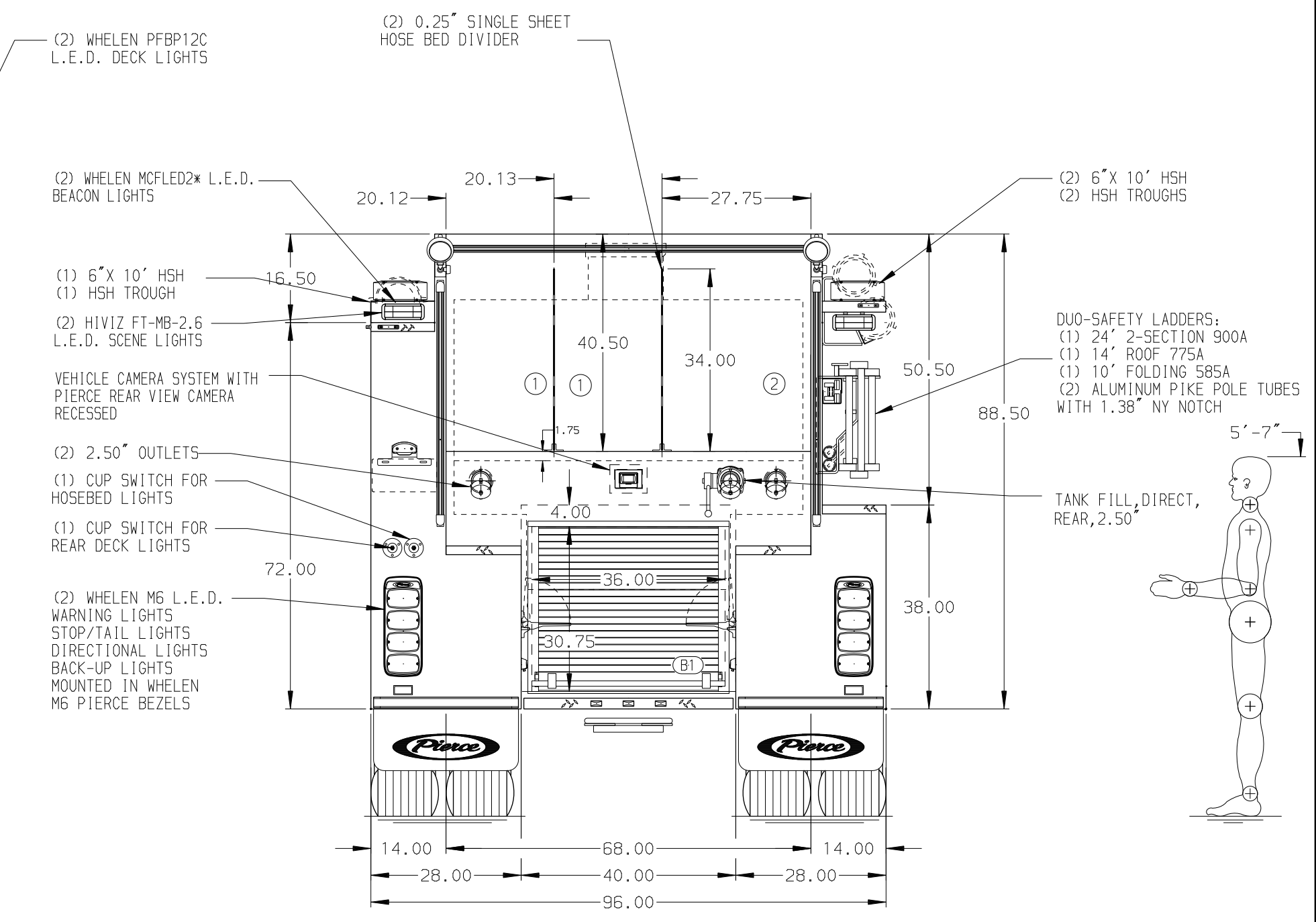
Foam System Not Required

Foam Cell

Foam Cell Not Required



HOSEBED CAPACITY	
BED 1	1000' OF 5.00" D.J. POLY HOSE
BED 2	1000' OF 3.00" D.J. POLY HOSE



NOTE
DIMENSIONS SHOWN ARE APPROXIMATE AND ARE SUBJECT TO MINOR DEVIATIONS AS MAY OCCUR OR BE NECESSARY IN CONSTRUCTION. MINOR DETAILS NOT SHOWN.

REV	DATE	BY	CH	SABER FR
05MAY22	JLA	CGA	DATA	CHASSIS DATA
26APR22	JLA	CGA	MAKE	MAKE
17MAR22	RHU	CGA	PIERCE	PIERCE
11MAR22	RHU	CGA	MODEL	MODEL

		JOB NO.	37761
		SCALE	DATE
TITLE Pierce Pumper Approval Drawing		DRAWN BY	MMF
FOR NEW CENTERVILLE & RURAL VOL. FIRE COMPANY ROCKWOOD, PENNSYLVANIA		CHECKED BY	COL
DWG NO. 37761AD		SHEET SIZE	D
		SHEET NO.	1 OF 1