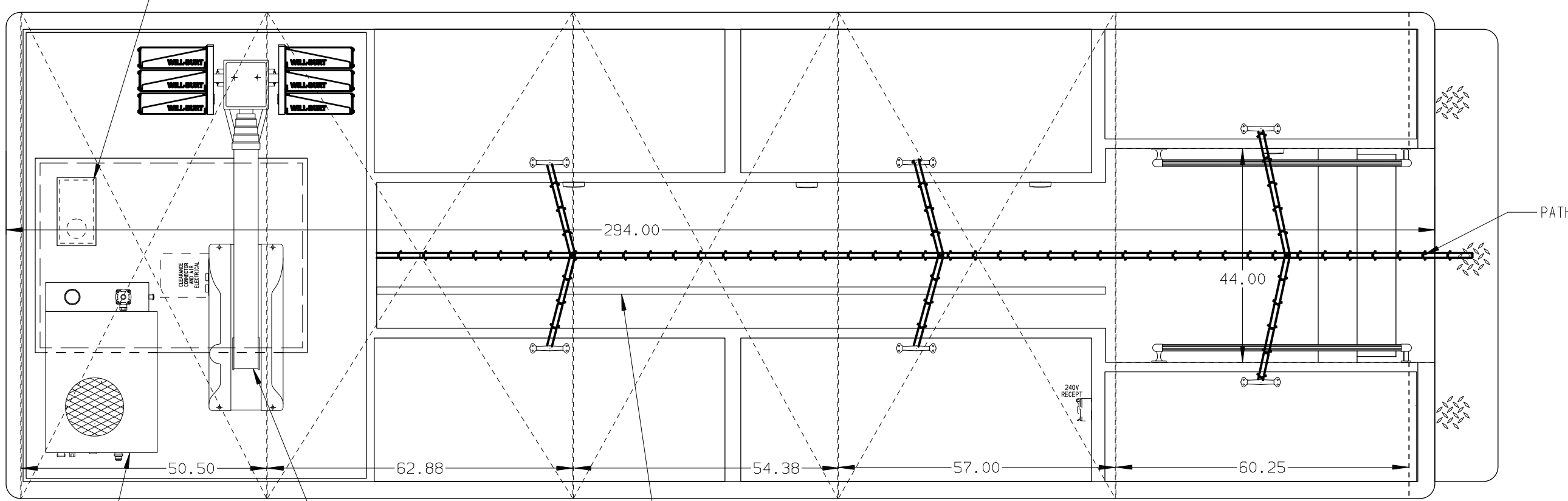
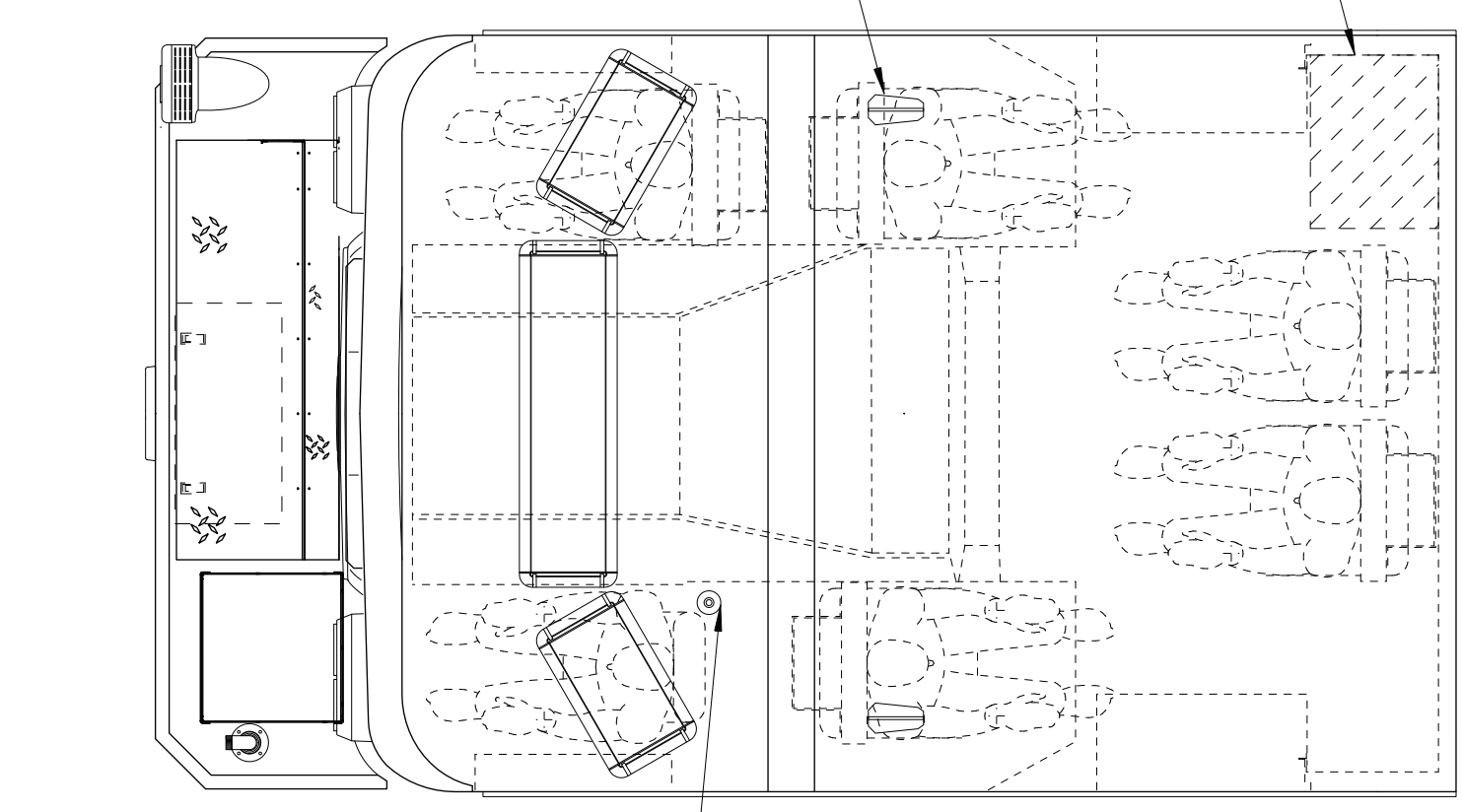
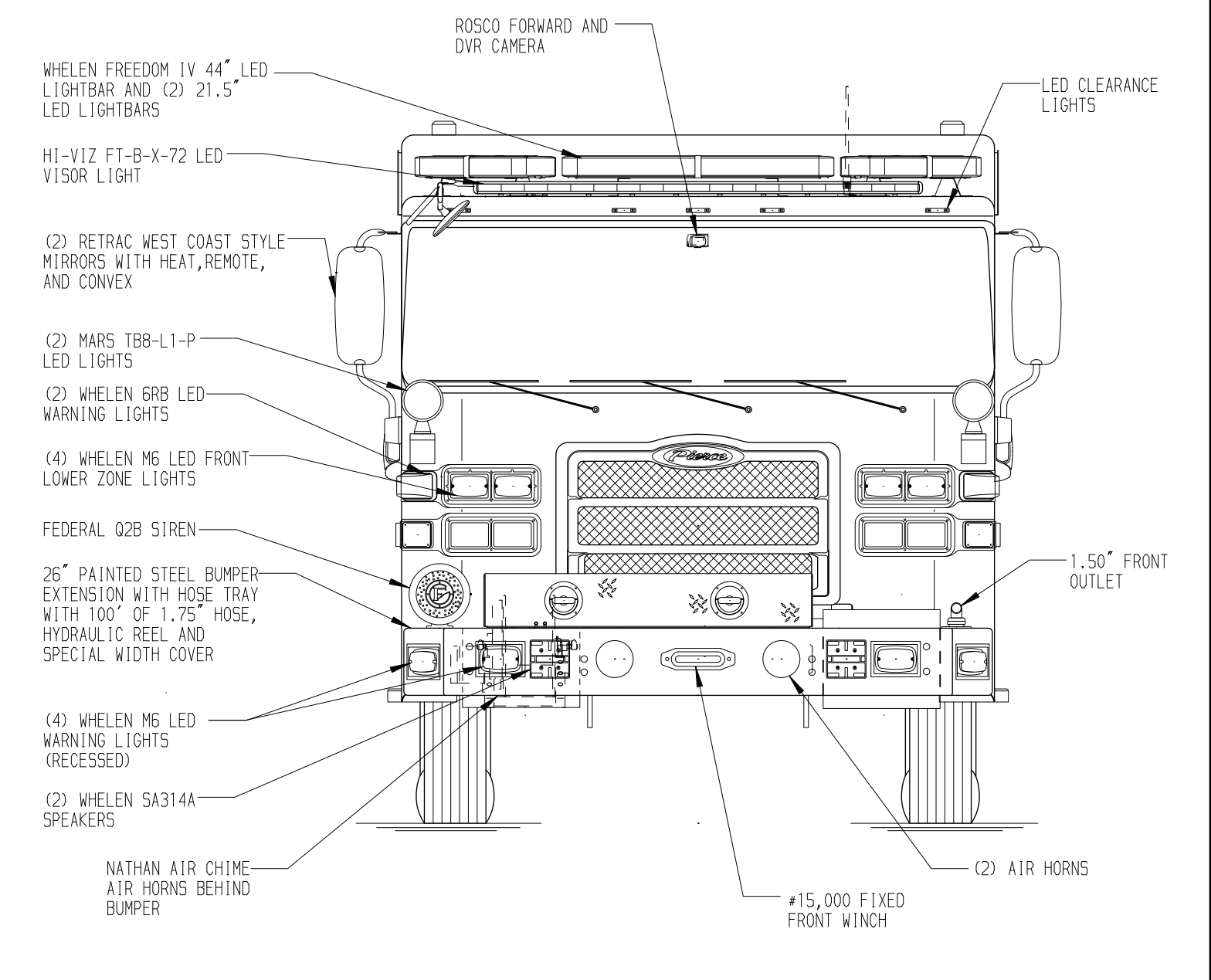
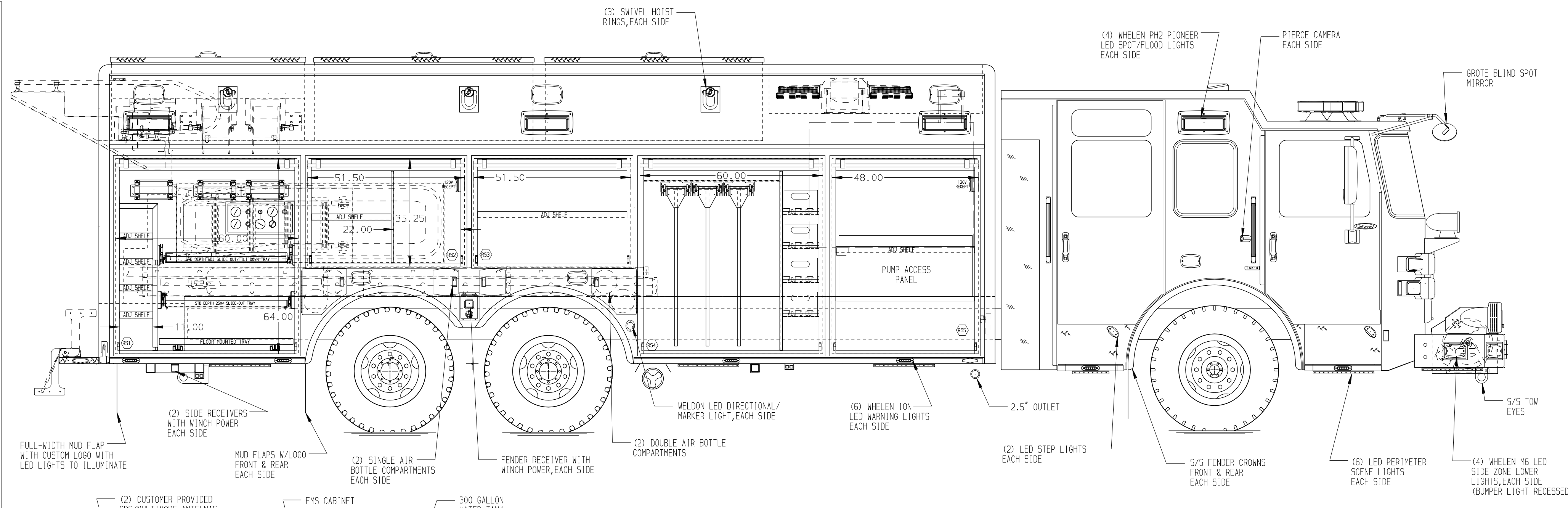


- RIGHT SIDE COMPARTMENTS CONTAIN THE FOLLOWING:**
- COMPARTMENT R51 CONTAINS:**
- (4) STD DEPTH ADJ SHELVES
 - (1) VERTICAL "L"-SHAPED DIVIDER
 - (1) ELECTRIC CORD REEL WITH 200' OF 10/3 YELLOW CORD
 - (1) LOW PRESSURE AIR REEL W/200' OF HOSE
 - (1) CHASSIS AIR REEL W/200' OF HOSE
 - (1) STD DEPTH ADJ SLIDE OUT TRAY
 - (1) STD DEPTH ADJ SLIDE OUT/TILT TRAY
 - (1) STD DEPTH FLOOR MOUNTED TRAY
 - (1) AIR CONTROL PANEL
 - (1) 20A, 120V DUPLEX RECEPTACLE
- COMPARTMENT R52 CONTAINS:**
- (1) VERTICAL COMPARTMENT DIVIDER
 - (1) 20A, 120V DUPLEX RECEPTACLE
 - (1) STD DEPTH ADJ SHELF
- COMPARTMENT R53 CONTAINS:**
- (1) TRANSVERSE ADJ SHELF
- COMPARTMENT R54 CONTAINS:**
- (4) STD DEPTH ADJ SHELVES (1 FRONT LIP)
 - (3) 1/2 DEPTH ADJ SLIDE OUT TOOLBOARDS WITH TOP MOUNTED SLIDES
 - (1) VERTICAL COMPARTMENT DIVIDER
 - (4) POLY TOOL BOXES
- COMPARTMENT R55 CONTAINS:**
- (1) CAB LIFT CONTROLLER
 - (1) HORIZONTAL FLOOR EXTENSION
 - (1) STD DEPTH ADJ SHELF
 - (1) 20A, 120V DUPLEX RECEPTACLE

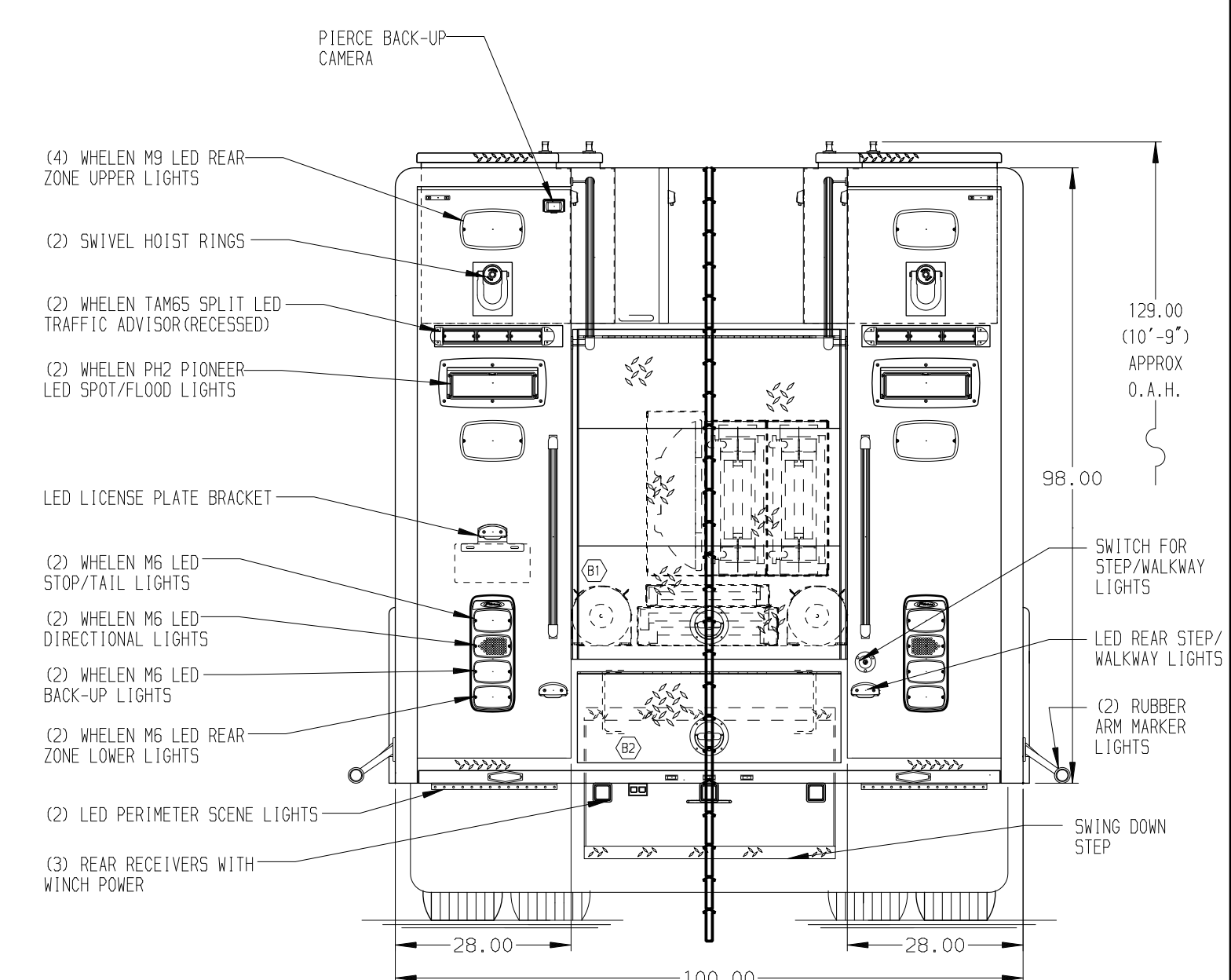
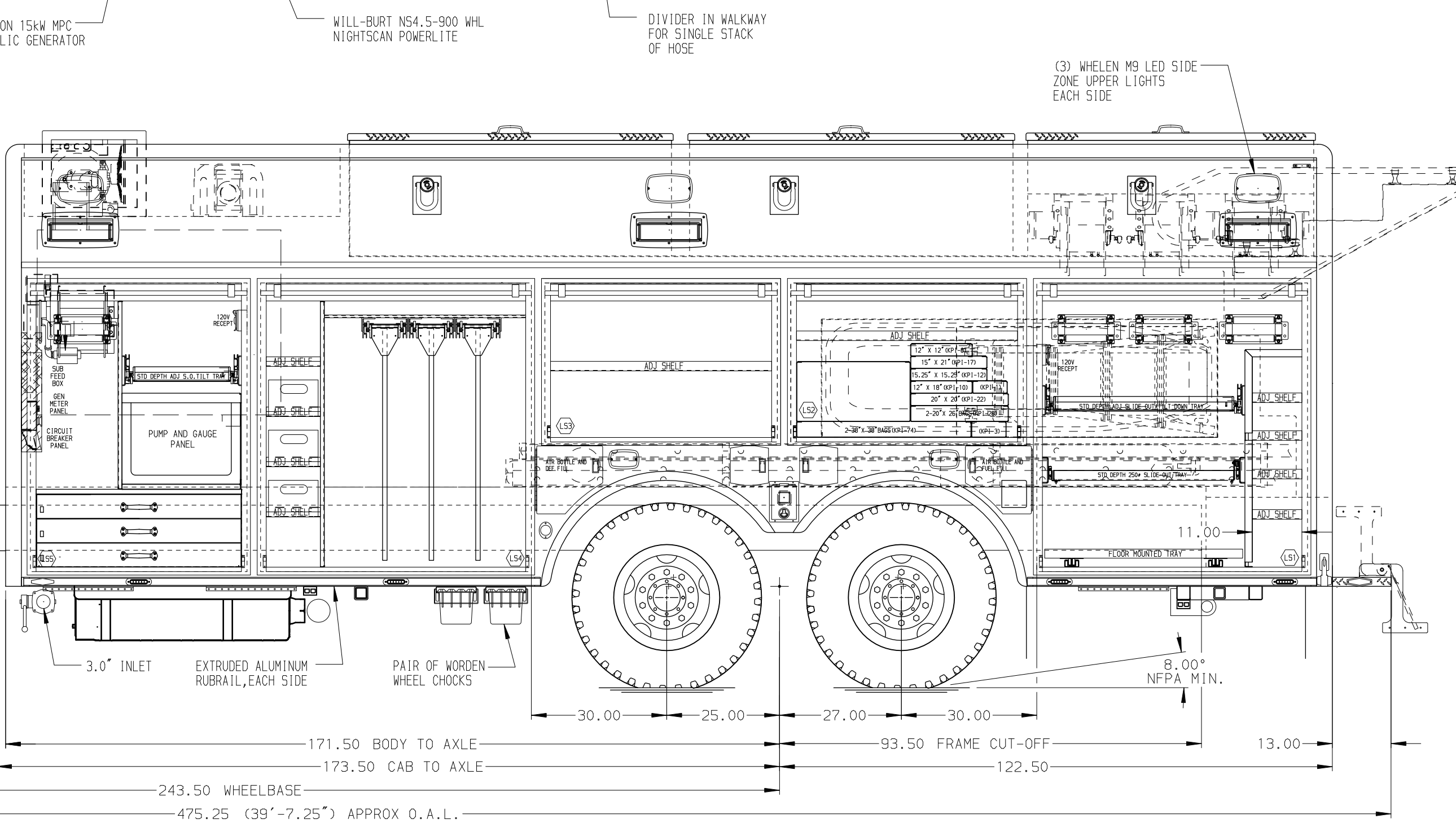
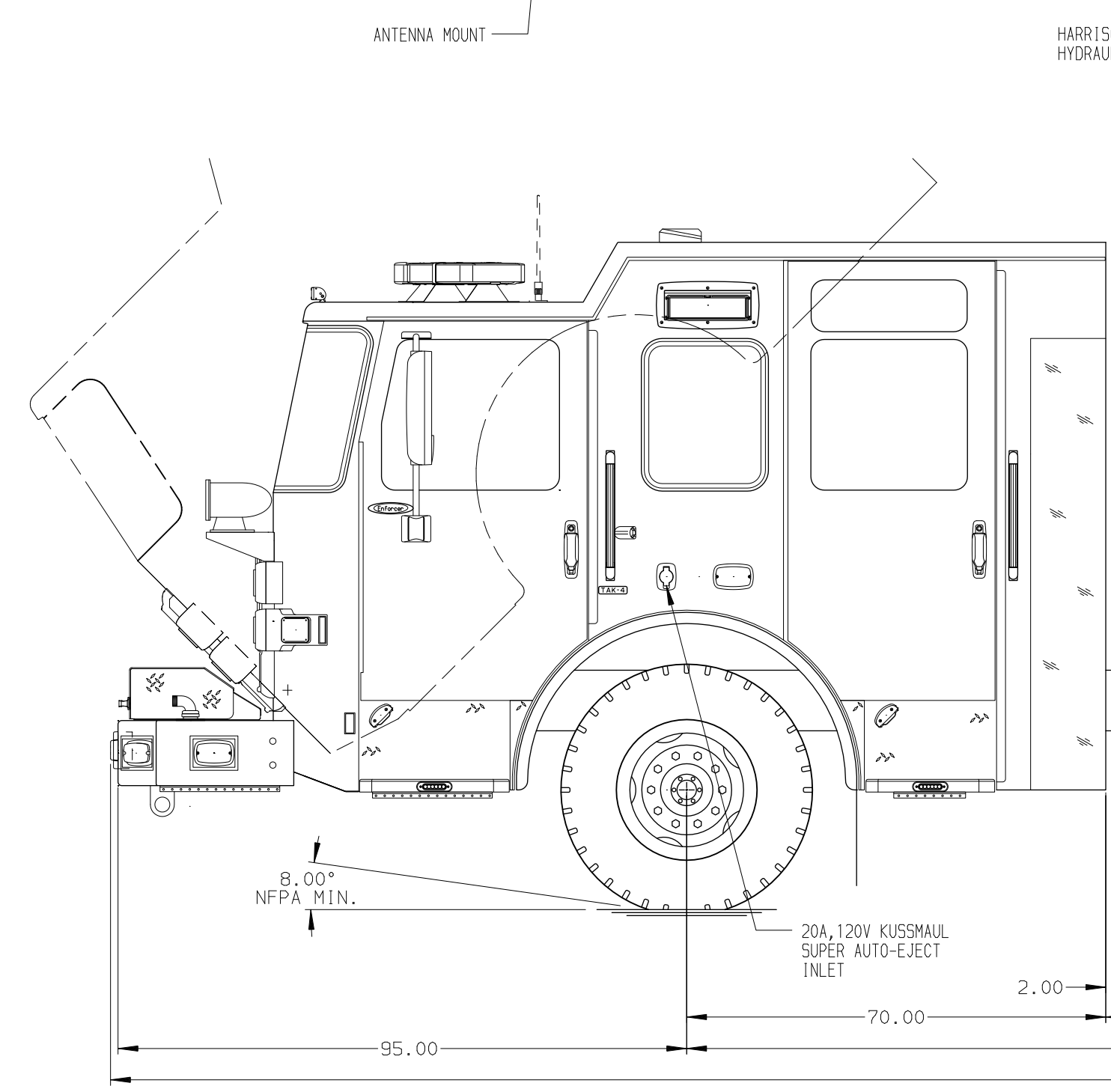


LEFT SIDE COMPARTMENTS CONTAIN THE FOLLOWING:

- COMPARTMENT L51 CONTAINS:**
- (4) STD DEPTH ADJ SHELVES
 - (1) STD DEPTH ADJ SLIDE OUT TRAY
 - (1) STD DEPTH FLOOR MOUNTED TRAY
 - (1) VERTICAL "L"-SHAPED DIVIDER
 - (1) 20A, 120V DUPLEX RECEPTACLE
 - (3) HYDRAULIC REELS W/100' OF HOSE, EACH
 - (1) STD DEPTH ADJ SLIDE OUT/TILT TRAY
- COMPARTMENT L52 CONTAINS:**
- (1) STD DEPTH ADJ SHELF
 - (1) RACK FOR 10 AIR BAGS
- COMPARTMENT L53 CONTAINS:**
- (1) TRANSVERSE ADJ SHELF
- COMPARTMENT L54 CONTAINS:**
- (4) STD DEPTH ADJ SHELVES (1 FRONT LIP)
 - (3) 1/2 DEPTH ADJ SLIDE OUT TOOLBOARDS WITH TOP MOUNTED SLIDES
 - (1) VERTICAL COMPARTMENT DIVIDER
 - (3) POLY TOOL BOXES
- COMPARTMENT L55 CONTAINS:**
- (1) 20A, 120V DUPLEX RECEPTACLE
 - (1) 3-DRAWER TOOL CABINET
 - (1) CIRCUIT BREAKER PANEL
 - (1) GENERATOR METER PANEL
 - (1) NIGHTSCAN CONTROLLER
 - (1) SUB FEED BOX
 - (1) ELECTRIC CORD REEL WITH 200' OF 10/3 YELLOW CORD
 - (1) VERTICAL COMPARTMENT DIVIDER
 - (1) STD DEPTH ADJ SLIDE OUT/TILT TRAY

REAR COMPARTMENT CONTAINS THE FOLLOWING:

- COMPARTMENT B1 CONTAINS:**
- (1) RACK FOR 24\"/>
- COMPARTMENT B2 CONTAINS:**
- (1) RACK FOR 2 LITTLE GIANT LADDERS
 - (1) STOKES BASKET RACK
 - (2) 6000 UN AIR STORAGE BOTTLE



NOTE
DIMENSIONS SHOWN ARE APPROXIMATE AND ARE SUBJECT TO MINOR DEVIATIONS AS MAY OCCUR OR BE NECESSARY IN CONSTRUCTION. MINOR DETAILS NOT SHOWN.

- NOTES:**
- HALE CBP 250 GPM WATER PUMP
 - ONSPOT AUTOMATIC TIRE CHAINS
 - S/S SCUFFPLATES ON CAB AND CREW CAB DOOR JAMBS
 - BRUSHED S/S SCUFFPLATES ON SIDES OF CAB BEHIND CREW CAB DOORS FOR PIKE POLES
 - FLOOR IN CAB AND CREW CAB TO HAVE LINE-X COATING
 - KUSSMAUL PUMP PLUS 1200 CHARGER LOCATED BEHIND THE DRIVER'S SEAT
 - BATTERY CHARGE INDICATOR LOCATED ON DRIVER'S SEAT RISER
 - PIERCE LED STRIP LIGHTS IN ALL BODY AND HATCH COMPARTMENTS
 - 30A, 240V T.L. RECEPTACLE LOCATED IN HATCH COMPARTMENT ABOVE L52

(SIDE ROLL AND FRONTAL IMPACT PROTECTION)

CLEAR DOOR WIDTH KEY		CHASSIS DATA	TITLE
AMDR ROLL UP DOORS:	-2 1/4"	24APR19	DHE CDK MAKE
CORTITE ROLL UP DOORS:	-2 1/2"	26JAN19	DHE CDK PIERCE
PIERCE DOUBLE LAP DOORS:	-4 1/4"	11JAN19	DHE CDK MODEL
PIERCE LIFT-UP LAP DOORS:	-1 1/2"		REV DATE BY CH EN7010

Pierce MANUFACTURING INC.

JOB NO. 33187

SCALE 1:24

DRAWN BY DHE

CHECKED BY CDK

SHEET SIZE D

DATE 18DEC18

DATE 21DEC18

SHEET NO. 1 OF 1

TITLE HEAVY DUTY RESCUE NON-WALKIN

FOR HARMONVILLE FIRE COMPANY HARMONVILLE, PA

DWG NO. 33187AD

RALPH REHRIG