

Pumper, PUC

Body
Pumper, PUC, Aluminum
Chassis
Enforcer Chassis, PUC

CHASSIS

AXLE, FRONT, CUSTOM
22,800 Lb TAK-4 Axle
AXLE, REAR
31,000 Lb Dana Axle

ENGINE
450 HP Cummins L9 Engine
TRANSMISSION
Allison 5th Gen, 3000 EVS P

BUMPER
22" Extended Painted Steel
CAB
7010 Enforcer Cab, PUC

BODY

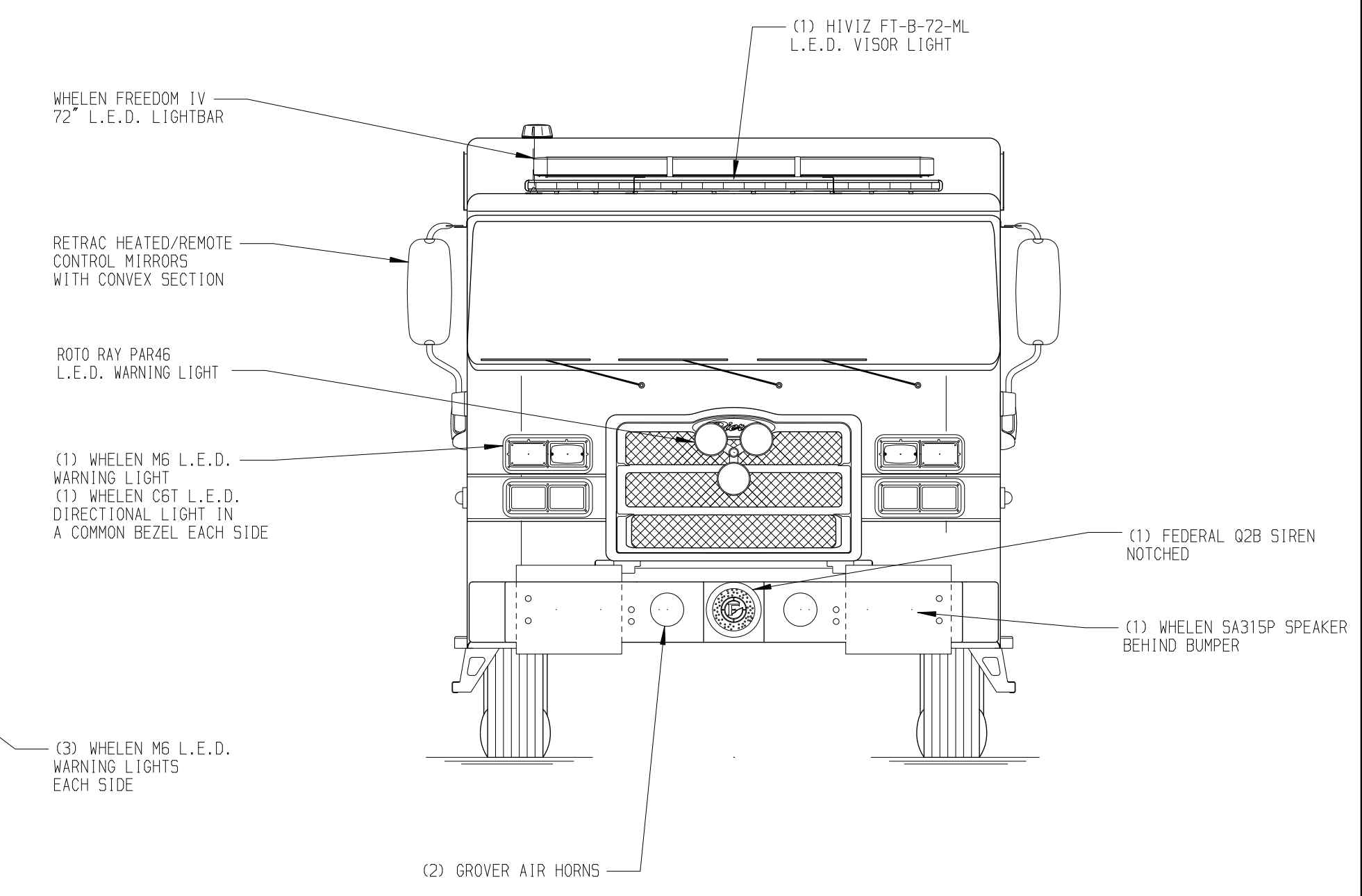
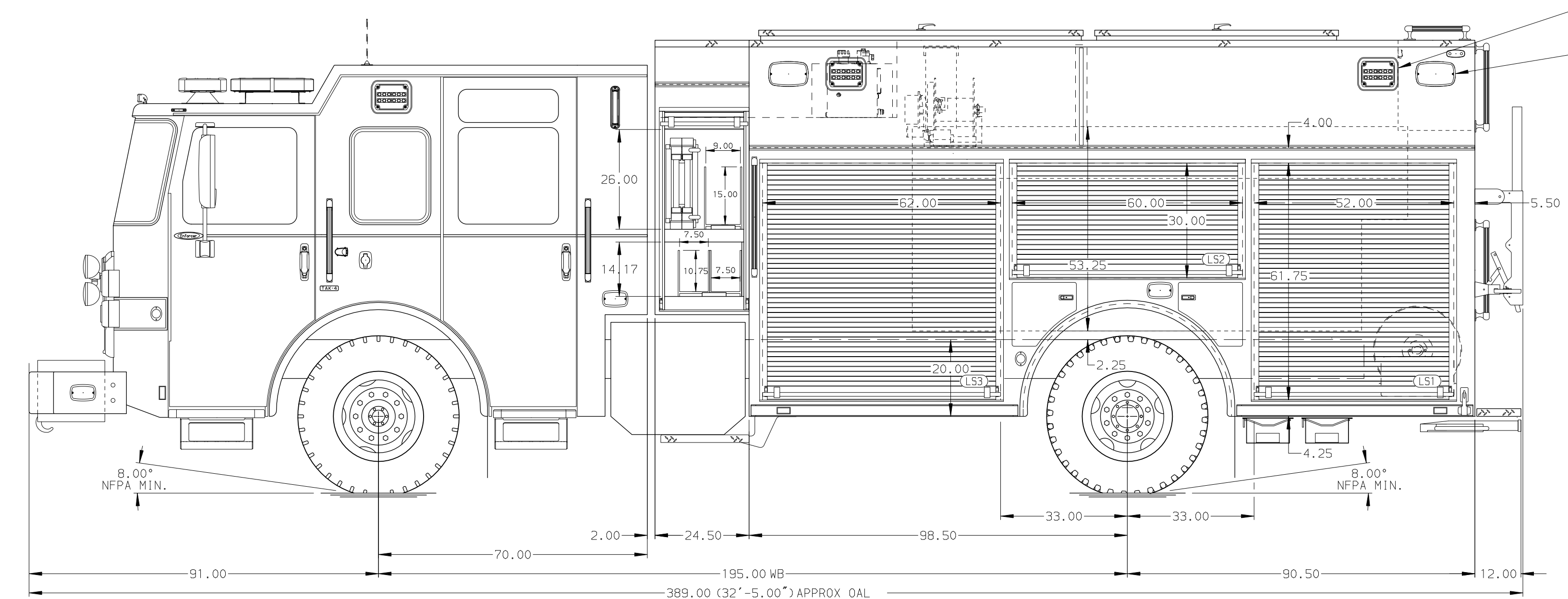
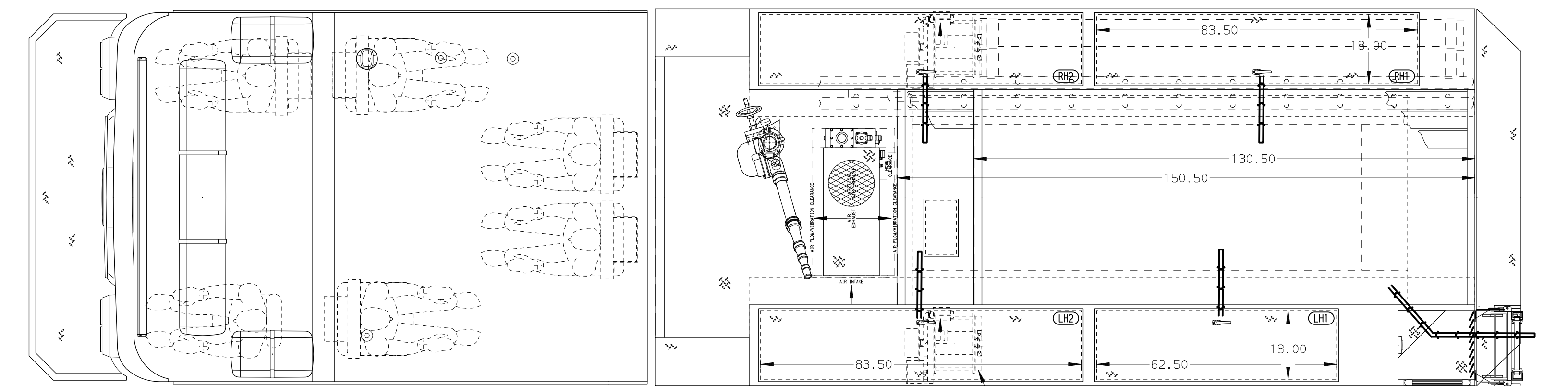
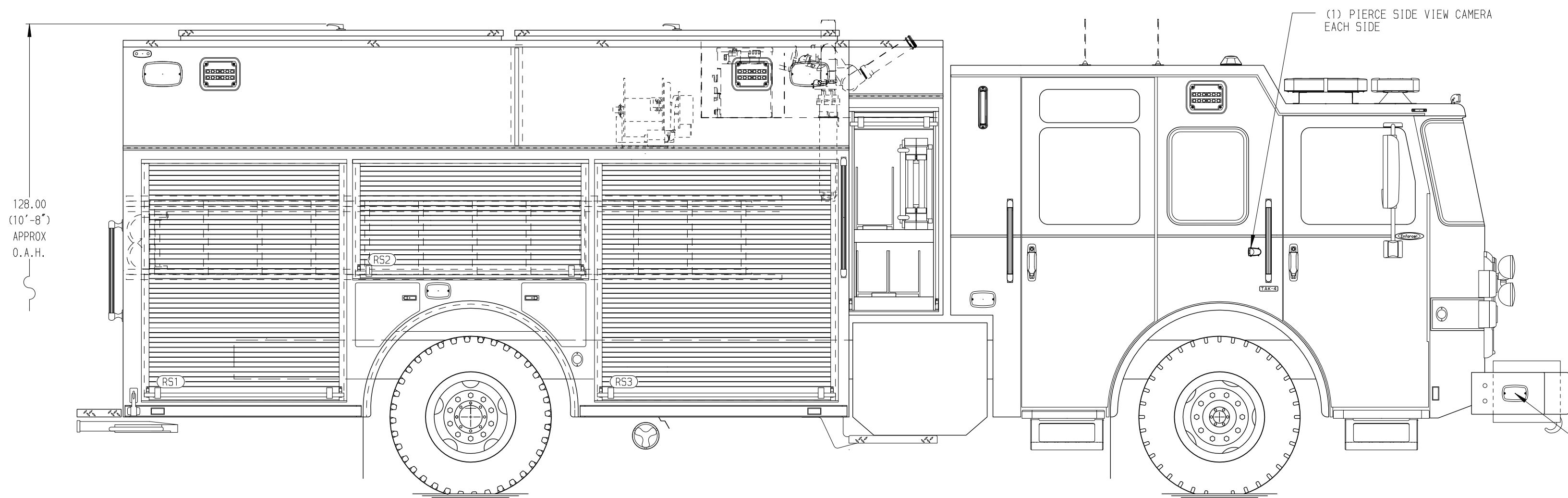
WATER TANK
1000 Gallon Poly Water Tank
COMPT, PUMPER, REAR
40.50" FF RollUp Rear Compt w/Tailboard, PUC
COMPT, PUMPER, LEFT SIDE
189" RollUp Full Height & Depth Front & Rear, PUC
COMPT, PUMPER, RIGHT SIDE
189" RollUp Full Height & Depth Front & Rear, PUC

FIRE SUPPRESSION

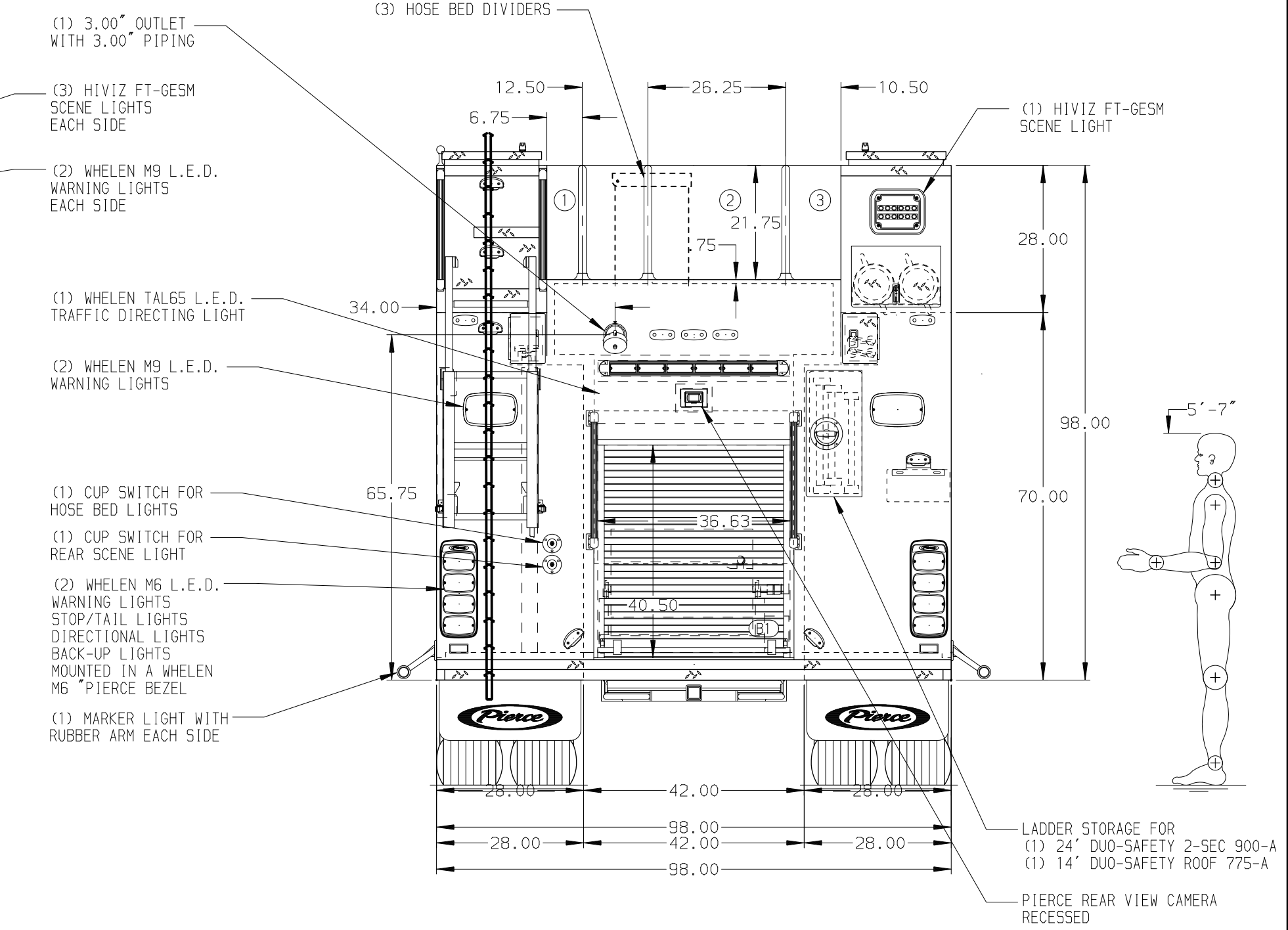
PUMPHOUSE
Control Zone, PUC
PUMP
1500 GPM Pierce PUC
CROSSLAYS, 1.50"
(1) 1.50", Poly Tray, 200' OF 1.75"
(1) 1.50", Poly Tray, 200' OF 2.00"
CROSSLAYS, 2.50"
(1) 2.50", Poly Tray, 200'
GENERATOR
6KW MCR
Foam System
Foam System Not Required
Foam Cell
Foam Cell Not Required

NOTE
DIMENSIONS SHOWN ARE APPROXIMATE AND ARE SUBJECT TO MINOR DEVIATIONS AS MAY OCCUR OR BE NECESSARY IN CONSTRUCTION. MINOR DETAILS NOT SHOWN.

- ONE 1.50" OUTLET WITH 2.00" PIPING AND SMIVEL LOCATED IN RIGHT BUMPER TRAY
- SHORELINE RECEPTACLE WITH KUSSMAUL SUPER AUTO-EJECT LOCATED ON DRIVER SIDE OF THE CAB
- AIR INLET WITH DISCONNECT COUPLING ON THE DRIVER STEP WELL RECESSED
- BATTERY CHARGER LOCATED IN COMPARTMENT PER SHOP ORDER
- BATTERY CHARGE INDICATOR LOCATED ON THE DRIVER SIDE SEAT RISER
- ADJUSTABLE SHELVES IN COMPARTMENTS PER SHOP ORDER
- ONE FLOOR MOUNTED SLIDE-OUT TRAY IN COMPARTMENT PER SHOP ORDER
- AUTOMATIC TIRE CHAINS
- ONE HANNAY EF34-23-24 ELECTRIC REWIND BOOSTER REEL WITH A CAPACITY FOR 200' OF 1.00" HOSE IN COMPARTMENT B1



HOSEBED CAPACITY	
BED 1	200' OF 3.00" MERCEDES HOSE
BED 2	400' OF 3.00" MERCEDES HOSE
BED 3	1500' OF 5.00" MERCEDES HOSE
BED 4	400' OF 2.00" MERCEDES HOSE



CUSTOMER APPROVAL			
APPROVED BY:			
DATE:			
REV	DATE	BY	CH

		JOB NO.	37814
		SCALE	DATE
TITLE	Pierce PUC Pumper Approval Drawing	DRAWN BY	MMF
FOR	Chalfont Fire Company	CHECKED BY	COL
DWG NO.	37814AD	SHEET SIZE	D
		SHEET NO.	1 OF 1