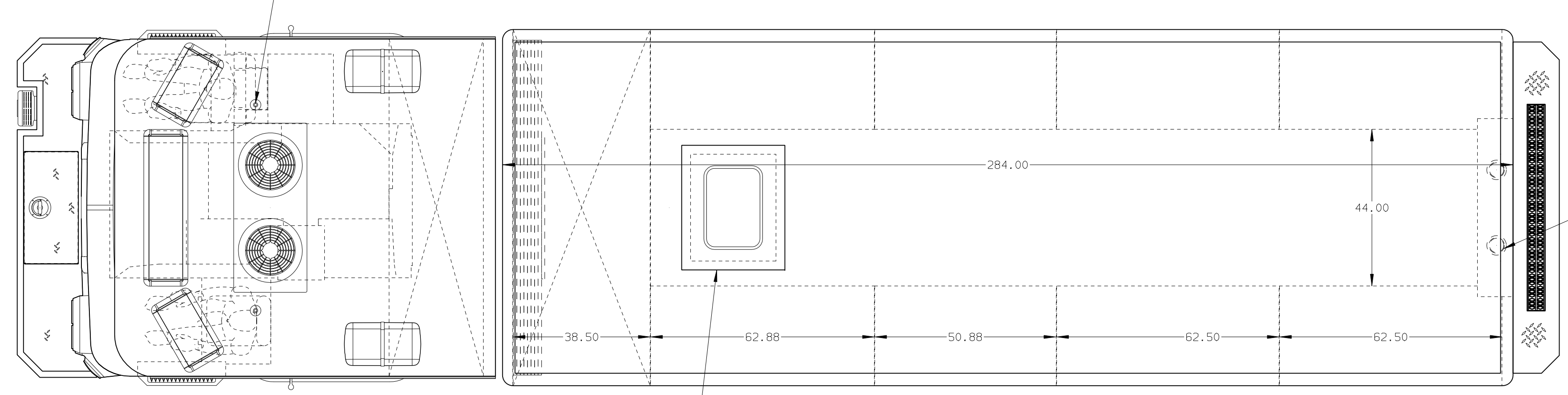
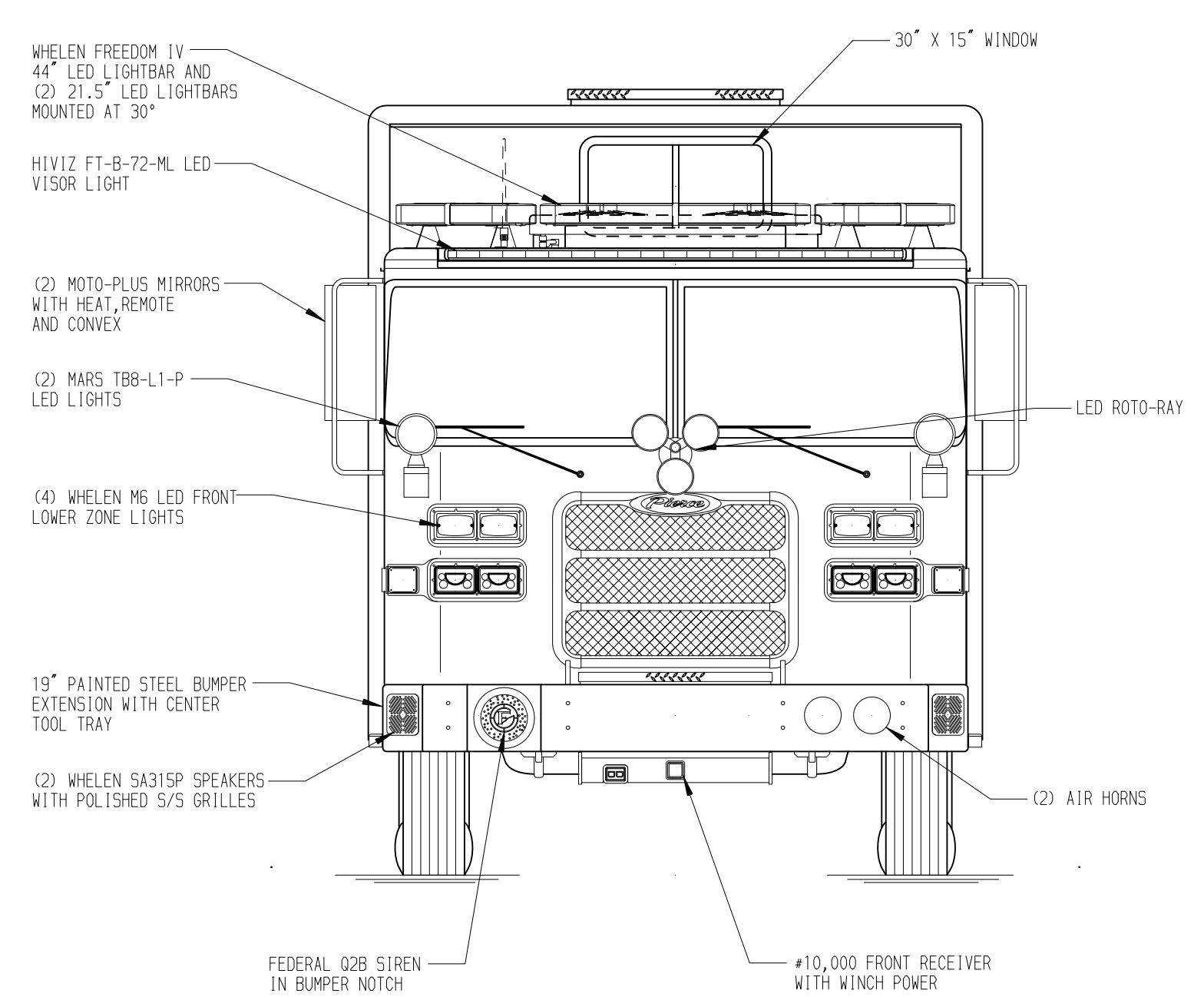
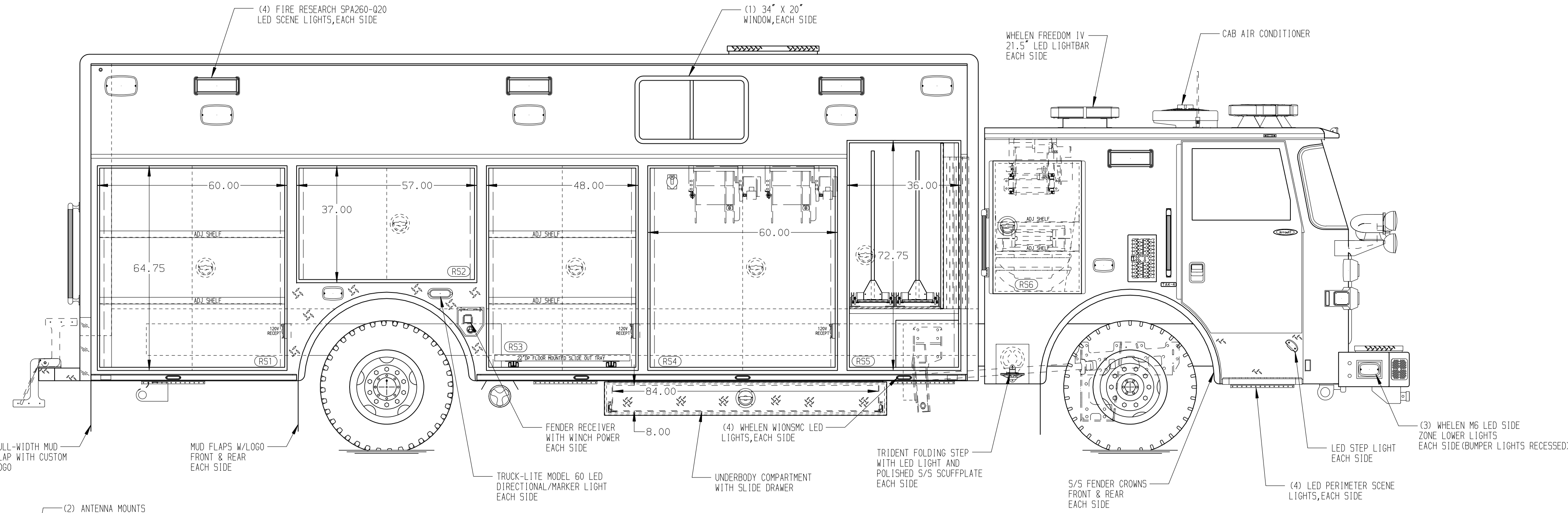
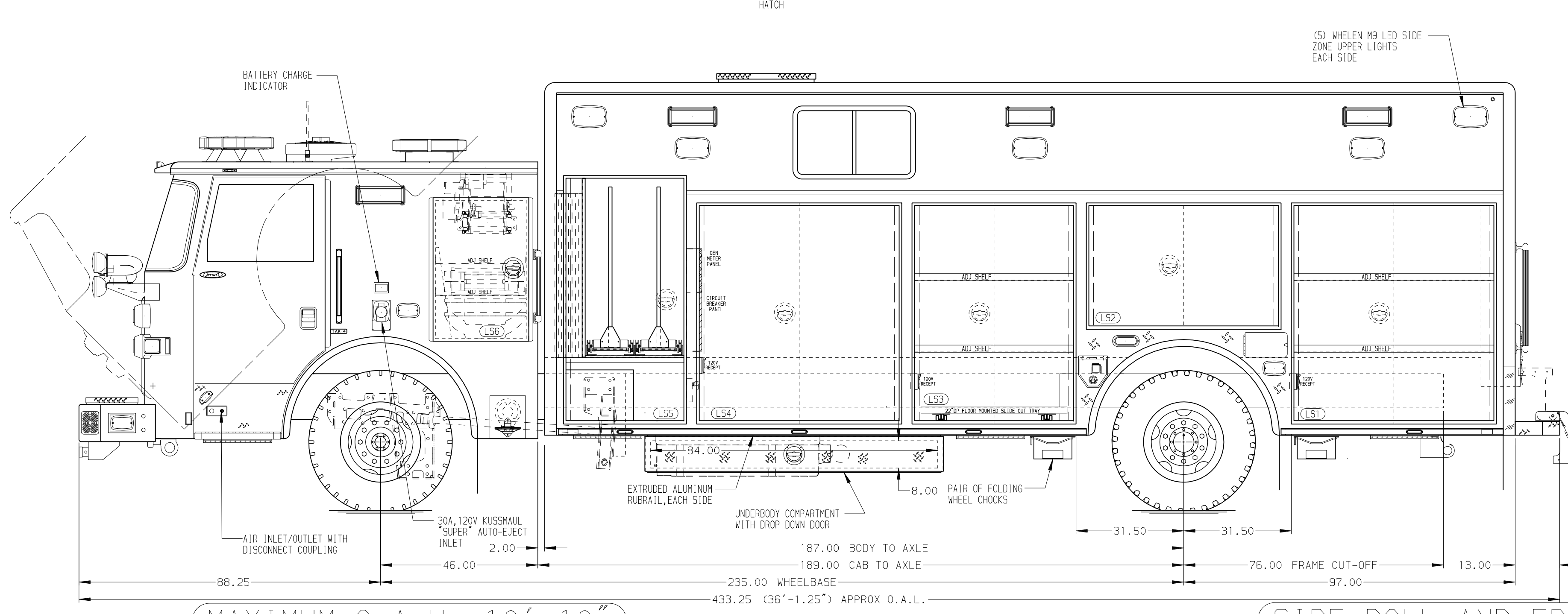


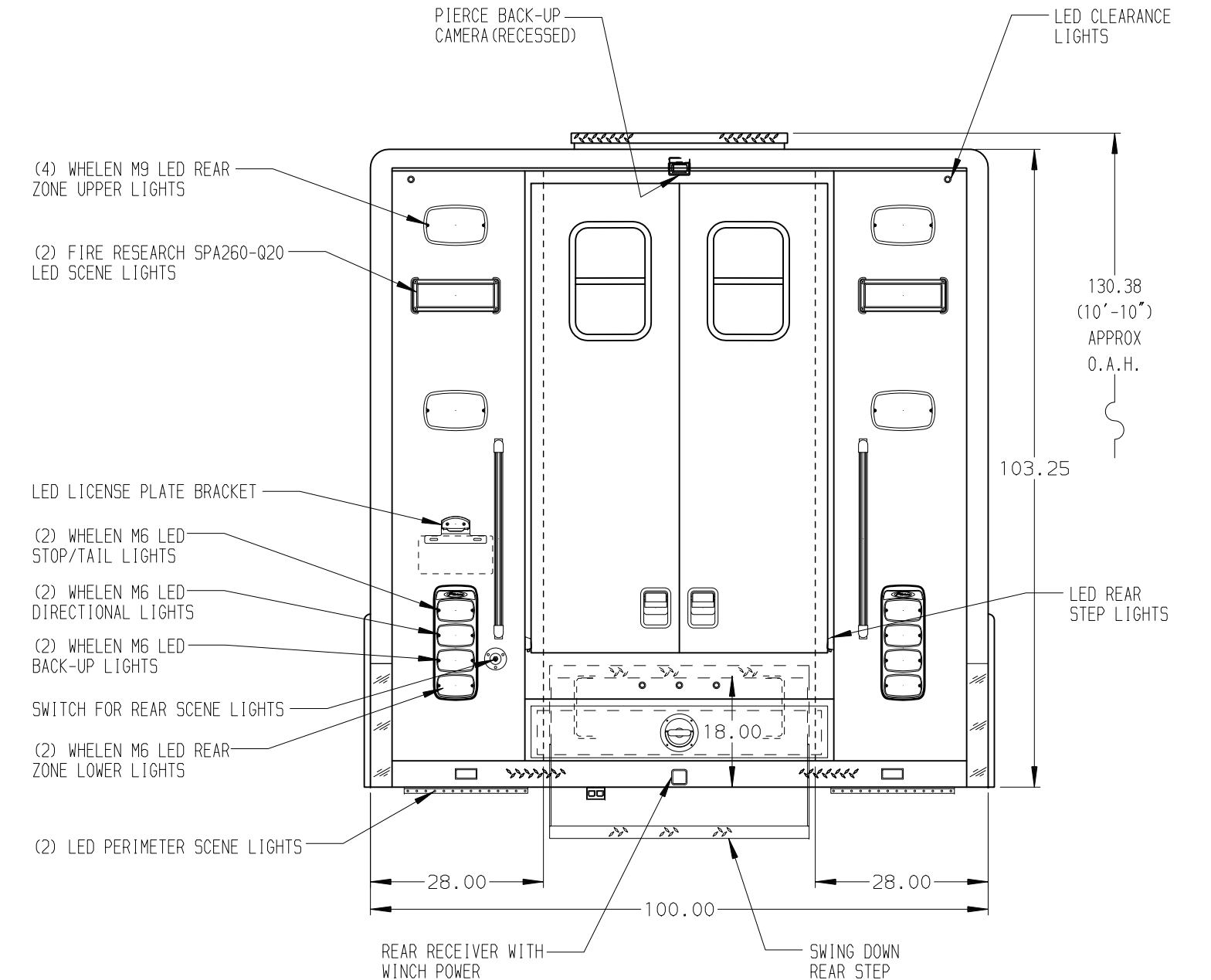
- RIGHT SIDE COMPARTMENTS CONTAIN THE FOLLOWING:**
- COMPARTMENT RS1 CONTAINS:
    - (1) 15/20A, 120V DUPLEX RECEPTACLE
    - (2) STD DEPTH ADJ SHELVES
  - COMPARTMENT RS2 CONTAINS:
    - 
    -
  - COMPARTMENT RS3 CONTAINS:
    - (1) 15/20A, 120V DUPLEX RECEPTACLE
    - (2) STD DEPTH ADJ SHELVES
    - (1) STD DEPTH FLOOR MOUNTED TRAY
  - COMPARTMENT RS4 CONTAINS:
    - (1) 15/20A, 120V DUPLEX RECEPTACLE
    - (1) 30A, 240V T.L. RECEPTACLE
    - MOUNTING PROVISIONS FOR 2 HYDRAULIC REELS
  - COMPARTMENT RS5 CONTAINS:
    - (1) VERTICAL COMPARTMENT DIVIDER
    - (1) REMOVABLE FLOOR EXTENSION
    - (2) 2-WAY FLOOR MOUNTED SLIDE OUT TRAYS WITH TOOLBOARDS
  - COMPARTMENT RS6 CONTAINS:
    - (2) TRANSVERSE ADJUSTABLE SHELVES
    - (1) ELECTRIC CORD REEL WITH 200' OF 10/3 BLACK CORD
    - (1) 17" LITTLE GIANT LADDER
    - 1/4" POLY LINING ON FLOOR AND LOWER SHELF



NOTE: LAP DOORS HAVE BEEN SHOWN IN HIDDEN LINES TO CLEARLY IDENTIFY THE EQUIPMENT IN EACH COMPARTMENT. DASHED LINES ON SIDES ARE DOORS IN OPEN POSITION



- LEFT SIDE COMPARTMENTS CONTAIN THE FOLLOWING:**
- COMPARTMENT LS1 CONTAINS:
    - (1) 15/20A, 120V DUPLEX RECEPTACLE
    - (2) STD DEPTH ADJ SHELVES
  - COMPARTMENT LS2 CONTAINS:
    - 
    -
  - COMPARTMENT LS3 CONTAINS:
    - (1) 15/20A, 120V DUPLEX RECEPTACLE
    - (2) STD DEPTH ADJ SHELVES
    - (1) STD DEPTH FLOOR MOUNTED TRAY
  - COMPARTMENT LS4 CONTAINS:
    - (1) CAB LIFT CONTROLLER
    - (1) CIRCUIT BREAKER PANEL
    - (1) GENERATOR METER PANEL
    - (1) 15/20A, 120V DUPLEX RECEPTACLE
  - COMPARTMENT LS5 CONTAINS:
    - (1) VERTICAL COMPARTMENT DIVIDER
    - (1) REMOVABLE FLOOR EXTENSION
    - (2) 2-WAY FLOOR MOUNTED SLIDE OUT TRAYS WITH TOOLBOARDS
  - COMPARTMENT LS6 CONTAINS:
    - (2) TRANSVERSE ADJUSTABLE SHELVES
    - (1) ELECTRIC CORD REEL WITH 200' OF 10/3 BLACK CORD
    - (1) 17" LITTLE GIANT LADDER
    - 1/4" POLY LINING ON FLOOR AND LOWER SHELF



**NOTE**  
DIMENSIONS SHOWN ARE APPROXIMATE AND ARE SUBJECT TO MINOR DEVIATIONS AS MAY OCCUR OR BE NECESSARY IN CONSTRUCTION. MINOR DETAILS NOT SHOWN.

- NOTES:**
- ONAN 25kW SINGLE PHASE PTO DRIVEN GENERATOR WITH SPLASH GUARD LOCATED BETWEEN THE FRAME RAILS
  - ONSPOT AUTOMATIC TIRE CHAINS
  - POLISHED S/S SCUFFPLATES ON CAB DOOR JAMBS
  - FLOOR IN CAB TO BE ALUMINUM TREADPLATE
  - KUSSMAUL PUMP PLUS 1200 CHARGER LOCATED BEHIND DRIVER'S SEAT
  - S/S ON REAR BODY CORNERS
  - ALUMINUM TREADPLATE ON REAR FENDER PANELS
  - 60 #9,000 RECEIVER STYLE POPE ANCHORS
  - BRUSHED S/S SCUFFPLATES ON BOTTOM OF BODY DOOR FRAMES
  - PIERCE DUAL LED LIGHTS IN ALL BODY COMPARTMENTS
  - (2) 15/20A, 120V DUPLEX RECEPTACLES LOCATED IN THE CAB

SIDE ROLL AND FRONTAL IMPACT PROTECTION

CLEAR DOOR WIDTH KEY		CHASSIS DATA	
AMOR ROLL UP DOORS:	-2 1/4"	25MAR22	DHE AZU
GORTITE ROLL UP DOORS:	-2 1/2"	05JAN22	DHE AZU
PIERCE DOUBLE LAP DOORS:	-4 1/4"	REV	DATE BY CH
PIERCE LIFT-UP LAP DOORS:	-1 1/2"		
(EX: 60" F-F = 2 1/4" = 57 3/4" CLEAR)			
(F-F) = FRAME TO FRAME			

		JOB NO.	36991
		SCALE	1:24
TITLE	HEAVY DUTY RESCUE WALKIN	DRAWN BY	DHE
FOR	WEST END FIRE & RESCUE COMPANY	CHECKED BY	CDK
	BID #747	CYCLE SHEAFFER	20DEC21
DWG NO.	36991AD-SH1	SHEET SIZE	D
		SHEET NO.	1 OF 2