

PUMPER BODY
Medium Aluminum 2nd Gen Pumper

CHASSIS
Enforcer Chassis

CHASSIS AXLE, FRONT, CUSTOM
19,500 Lb TAK-4 Axle

AXLE, REAR
24,000 Lb Dana Axle

ENGINE
450 HP Cummins L9 Engine

TRANSMISSION
Allison 6th Gen, 3000 EVS P

BUMPER
19" Extended Painted Steel

CAB
7010 Enforcer Cab

BODY WATER TANK
750 Gallon New York Style Water Tank

COMPT, PUMPER, REAR
30.75" FF RollUp Rear Compt

COMPT, PUMPER, LEFT SIDE
145" Lap Full Height Front & Rear FDLER

COMPT, PUMPER, RIGHT SIDE
145" Lap Low FDLER

FIRE SUPPRESSION PUMPHOUSE
45" Control Zone Side Mount

PUMP
1500 GPM Waterous CMU

CROSSLAYS, 1.50"
(2) 1.50" Standard Capacity

CROSSLAYS, 2.50"
2.50" Crosslay Not Required

SPEEDLAYS
Speedlays Not Required

GENERATOR
Generator Not Required

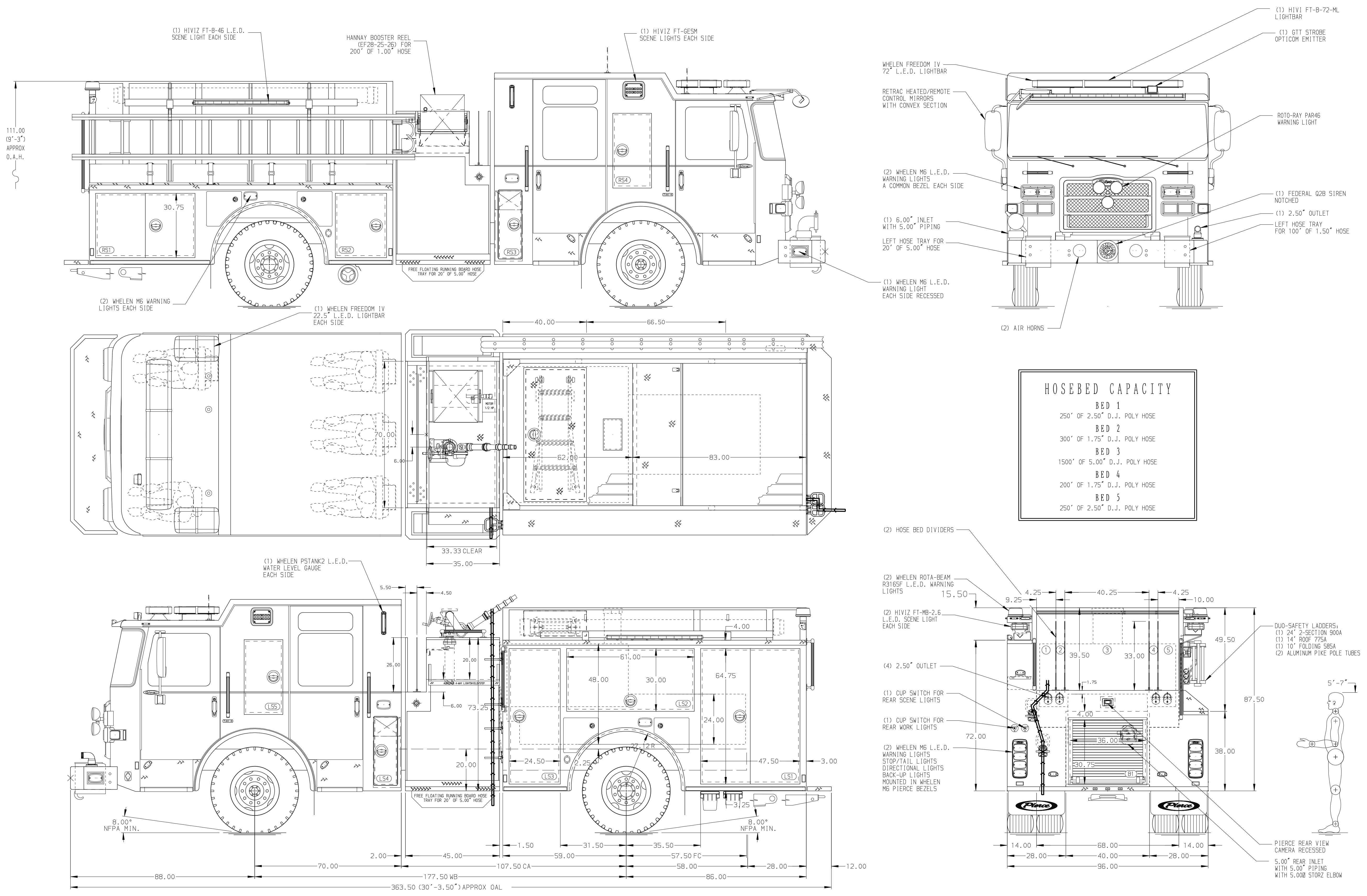
Foam System
Foam System Not Required

Foam Cell
Foam Cell Not Required

Side Roll and Frontal Impact Protection

NOTE
DIMENSIONS SHOWN ARE APPROXIMATE AND ARE SUBJECT TO MINOR DEVIATIONS AS MAY OCCUR OR BE NECESSARY IN CONSTRUCTION. MINOR DETAILS NOT SHOWN.

- ONE 1.50" OUTLET WITH 2.00" PIPING AND SMIVEL LOCATED ON TOP OF LEFT BUMPER
- SHORELINE RECEPTACLE WITH KUSSMAUL SUPER AUTO-EJECT LOCATED ON DRIVER SIDE CAB CORNER
- AIR INLET WITH DISCONNECT COUPLING ON DRIVER SIDE PUMP PANEL
- BATTERY CHARGER LOCATED PER ORDER
- KUSSMAUL AIR COMPRESSOR LOCATED PER ORDER
- AUTOMATIC TIRE CHAINS
- ONE WHELEN 5431SP SPEAKER WITH 5/STL GRILLE LOCATED BEHIND ENFORCER GRILL
- SILL PLATE SPACER LOCATED PER SHOP ORDER



HOSEBED CAPACITY	
BED 1	250' OF 2.50" D.J. POLY HOSE
BED 2	300' OF 1.75" D.J. POLY HOSE
BED 3	1500' OF 5.00" D.J. POLY HOSE
BED 4	200' OF 1.75" D.J. POLY HOSE
BED 5	250' OF 2.50" D.J. POLY HOSE

		JOB NO.	39363																				
		SCALE	DATE																				
Pierce MANUFACTURING INC.		TITLE	Pierce Pumper Approval Drawing																				
		FOR	Horsham Fire Company No.1																				
<table border="1"> <tr> <td>03JAN24</td> <td>MMF</td> <td>DTJ</td> <td>CHASSIS DATA</td> </tr> <tr> <td>22DEC23</td> <td>MMF</td> <td>DTJ</td> <td>MAKE</td> </tr> <tr> <td>30NOV23</td> <td>MMF</td> <td>DTJ</td> <td>PIERCE</td> </tr> <tr> <td>26OCT23</td> <td>MMF</td> <td>DTJ</td> <td>MODEL</td> </tr> <tr> <td>REV</td> <td>DATE</td> <td>BY</td> <td>CH</td> </tr> </table>		03JAN24	MMF	DTJ	CHASSIS DATA	22DEC23	MMF	DTJ	MAKE	30NOV23	MMF	DTJ	PIERCE	26OCT23	MMF	DTJ	MODEL	REV	DATE	BY	CH	DWG NO.	39363AD
		03JAN24	MMF	DTJ	CHASSIS DATA																		
22DEC23	MMF	DTJ	MAKE																				
30NOV23	MMF	DTJ	PIERCE																				
26OCT23	MMF	DTJ	MODEL																				
REV	DATE	BY	CH																				
Side Roll and Frontal Impact Protection		SHEET SIZE	SHEET NO.																				
		D	1 OF 1																				