

PUMPER BODY
Medium Aluminum 2nd Gen Pumper

CHASSIS
Enforcer Chassis

CHASSIS AXLE, FRONT, CUSTOM
19,500 Lb TAK-4 Axle

AXLE, REAR
24,000 Lb Dana Axle

ENGINE
605 HP Cummins X15 Engine

TRANSMISSION
Allison 6th Gen, 4000 EVS P

BUMPER
19" Extended Painted Steel

CAB
7010 Enforcer Cab

BODY WATER TANK
750 Gallon New York Style Water Tank

COMPT, PUMPER, REAR
30.75" FF RollUp Rear Compt

COMPT, PUMPER, LEFT SIDE
152" Lap Full Height Front & Rear FOLER

COMPT, PUMPER, RIGHT SIDE
152" Lap Full Height Front & Rear FOLER

FIRE SUPPRESSION PUMPHOUSE
45" Control Zone Side Mount

PUMP
2000 GPM Waterous CSU

CROSSLAYS, 1.50"
1.50" Crosslays Not Required

CROSSLAYS, 2.50"
2.50" Crosslay Not Required

SPEEDLAYS
(2) 1.50" W/Troy Std. Capacity

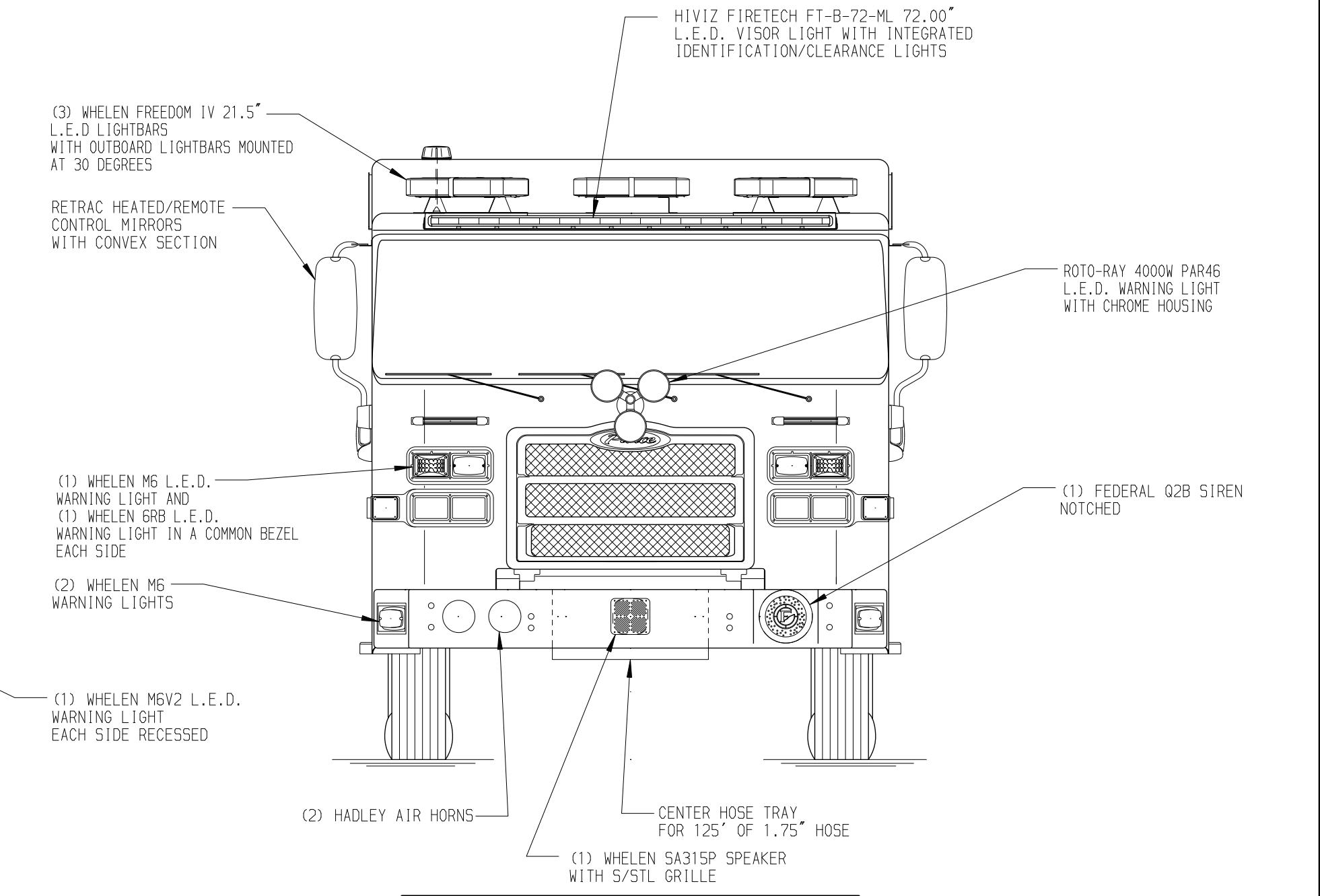
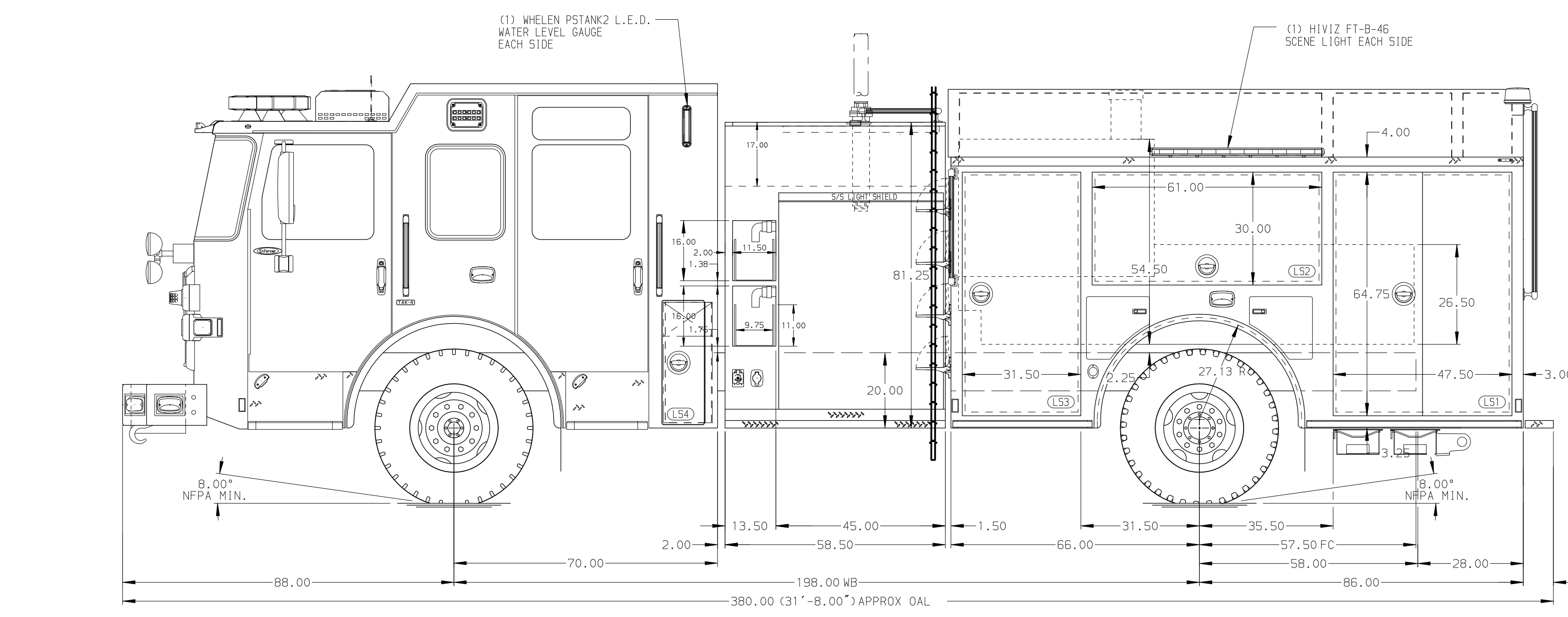
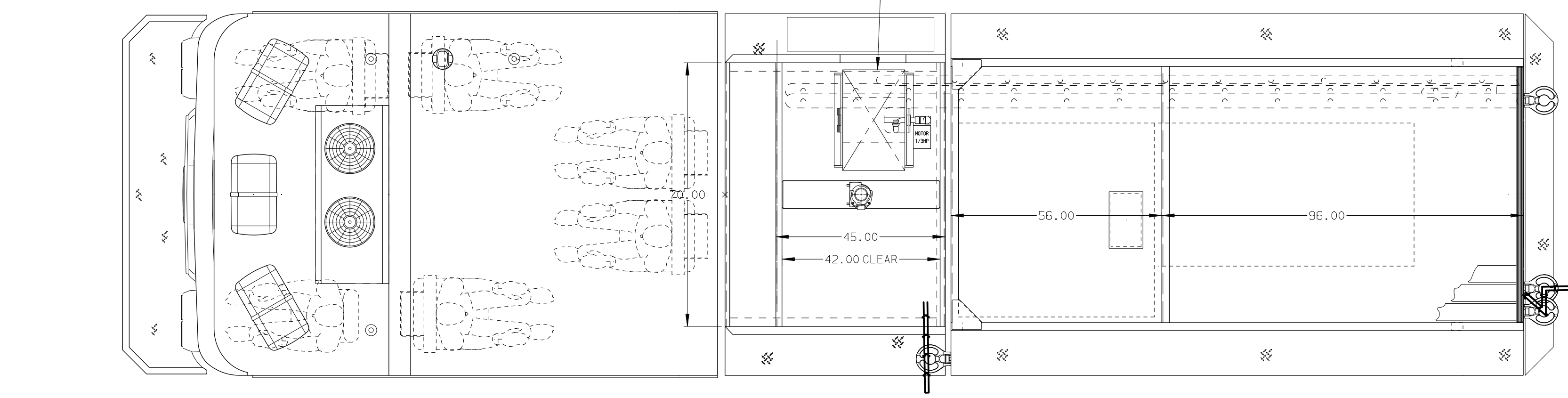
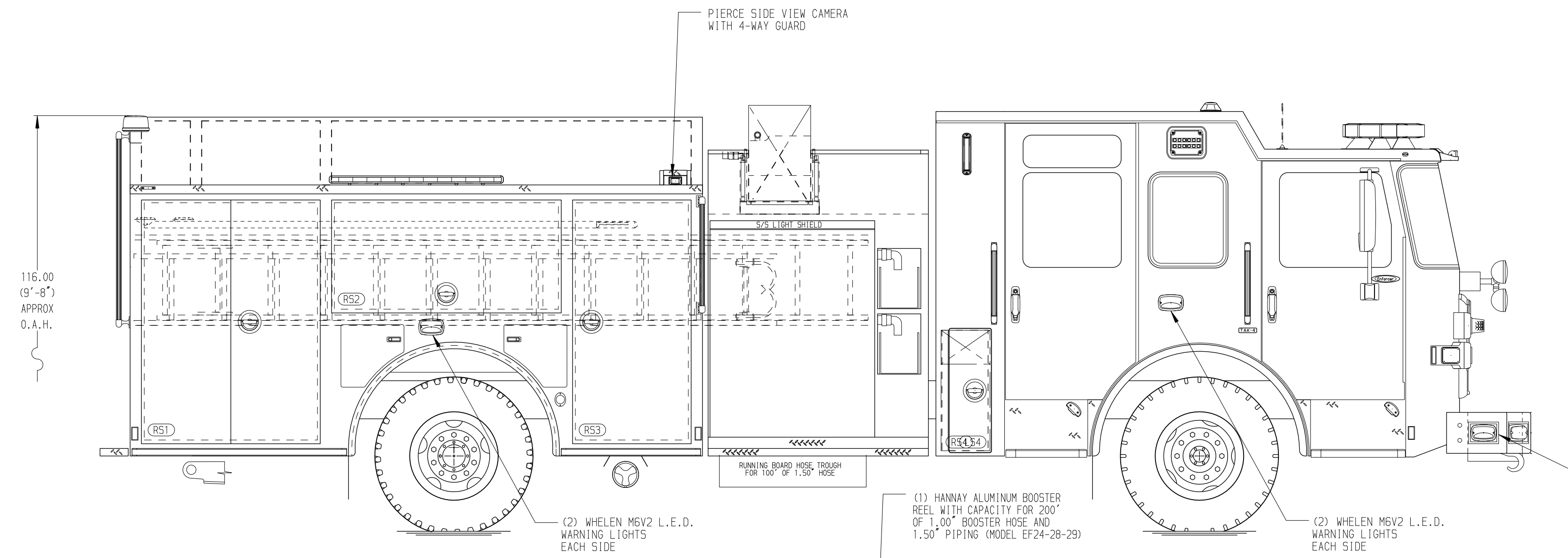
GENERATOR
Generator Not Required

Foam System
Foam System Not Required

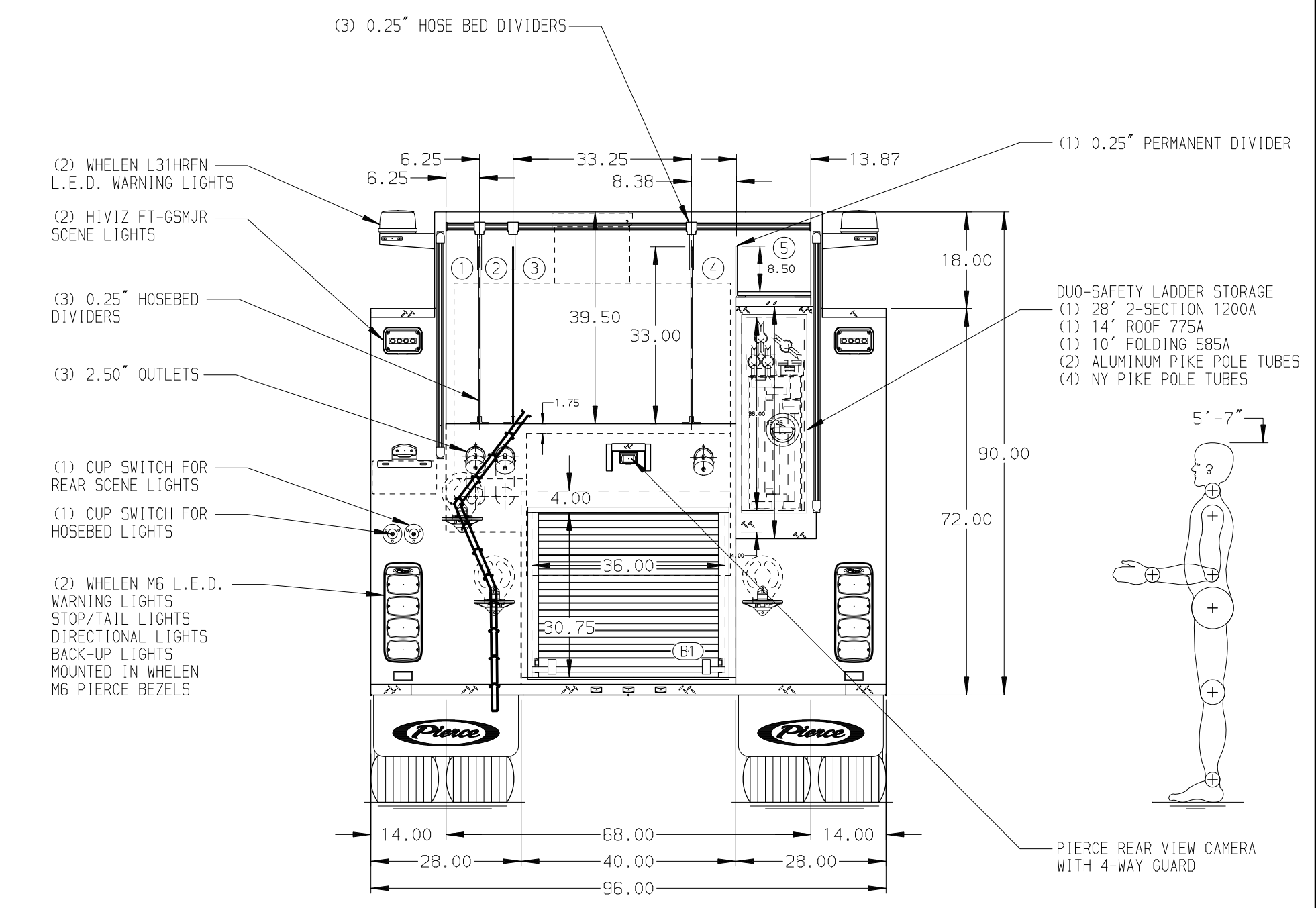
Foam Cell
Foam Cell Not Required

NOTE
DIMENSIONS SHOWN ARE APPROXIMATE AND ARE SUBJECT TO MINOR DEVIATIONS AS MAY OCCUR OR BE NECESSARY IN CONSTRUCTION. MINOR DETAILS NOT SHOWN.

- ONE 1.50 OUTLET WITH 2.00 PIPING AND SWIVEL LOCATED IN THE CENTER HOSE TRAY
- SHORELINE RECEPTACLE WITH KUSSMAUL SUPER AUTO-EJECT LOCATED ON DRIVER SIDE PUMP PANEL
- AIR INLET WITH DISCONNECT COUPLING ON THE DRIVER SIDE PUMP PANEL
- BATTERY CHARGER LOCATED PER ORDER
- BATTERY CHARGE INDICATOR LOCATED ON THE DRIVER SIDE SEAT RISER
- AUTOMATIC TIRE CHAINS



HOSEBED CAPACITY	
BED 1	150' OF 2.50" D.J. POLY HOSE
BED 2	200' OF 2.50" D.J. POLY HOSE
BED 3	1000' OF 5.00" D.J. POLY HOSE
BED 4	300' OF 1.75" D.J. POLY HOSE
BED 5	OPEN



Pierce MANUFACTURING INC.		JOB NO.	38839
		SCALE	1:24
		DATE	
TITLE		Pierce Pumper Approval Drawing	
FOR		Library Volunteer Fire Company	
DRAWN BY		MMF	24MAR23
CHECKED BY		COL	29MAR23
SHEET SIZE			SHEET NO.
D			1 OF 1

REV	DATE	BY	CH	ENFORCER
31JAN24	MMF	COS		CHASSIS DATA
08AUG23	WRE	COS		MAKE
18MAY23	MMF	COS		PIERCE
29MAR23	MMF	COL		MODEL

DWG NO. 38839AD