

**PUMPER
BODY**

Medium Aluminum 2nd Gen Pumper

CHASSIS

Sober FR Chassis

**CHASSIS
AXLE, FRONT, CUSTOM**

18,000 Lb Dana Axle

AXLE, REAR

24,000 Lb Dana Axle

ENGINE

450 HP Cummins L9 Engine

TRANSMISSION

Allison 5th Gen, 3000 EVS P

BUMPER

22" Extended Stainless Steel

CAB

7000 Sober FR Cab

**BODY
WATER TANK**

500 Gallon New York Style Water Tank

COMPT, PUMPER, REAR

30.75" FF RollUp Rear Compt

COMPT, PUMPER, LEFT SIDE

152" RollUp Full Height Front & Rear FDLER

COMPT, PUMPER, RIGHT SIDE

152" RollUp Low FDLER

**FIRE SUPPRESSION
PUMPHOUSE**

45" Control Zone Side Mount

PUMP

2000 GPM Hale QMAX

CROSSLAYS, 1.50"

(2) 1.50" Standard Capacity

CROSSLAYS, 2.50"

2.50" Crosslay Not Required

SPEEDLAYS

Speedlays Not Required

GENERATOR

Generator Not Required

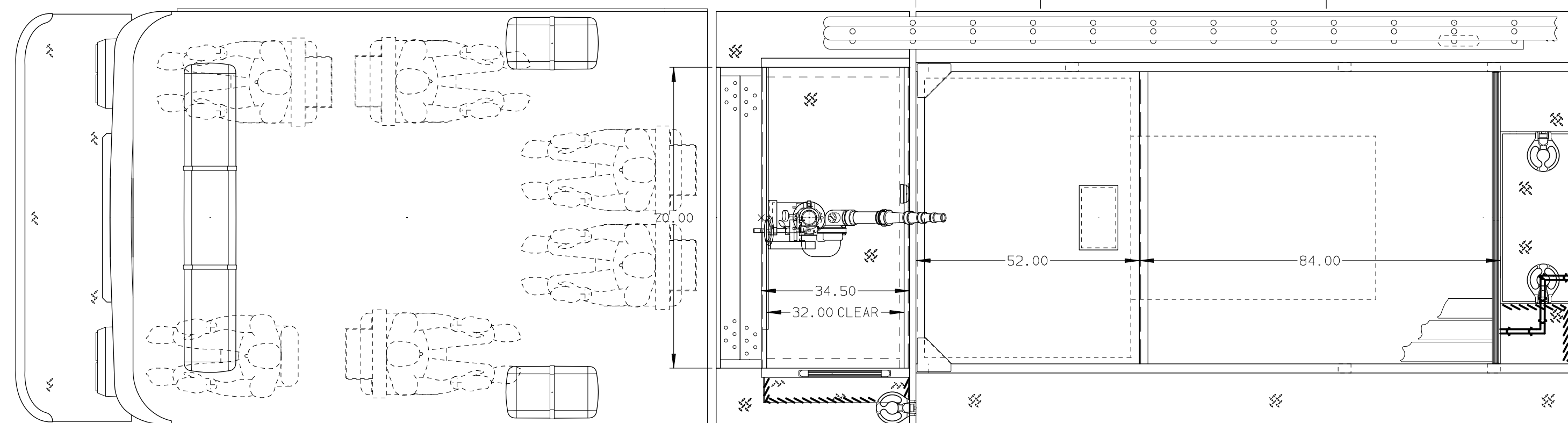
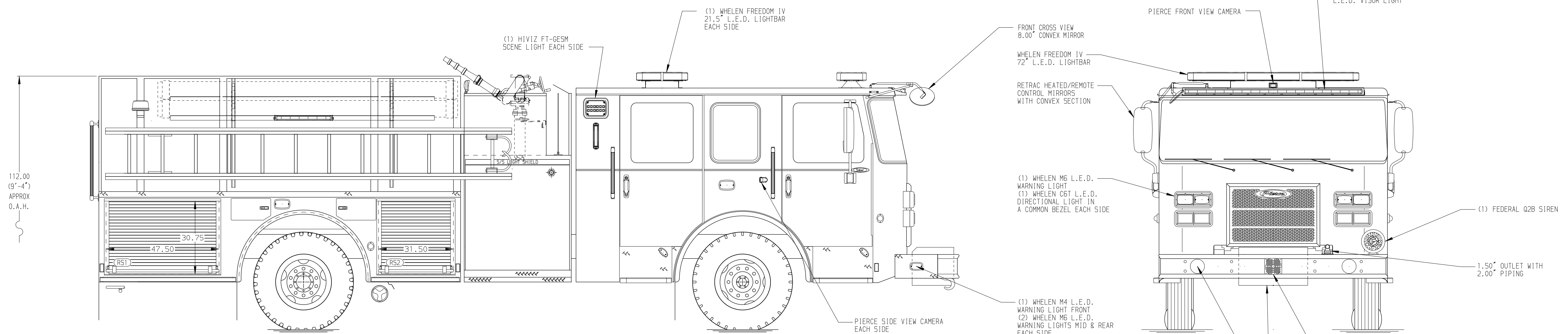
Foam System

Foam System Not Required

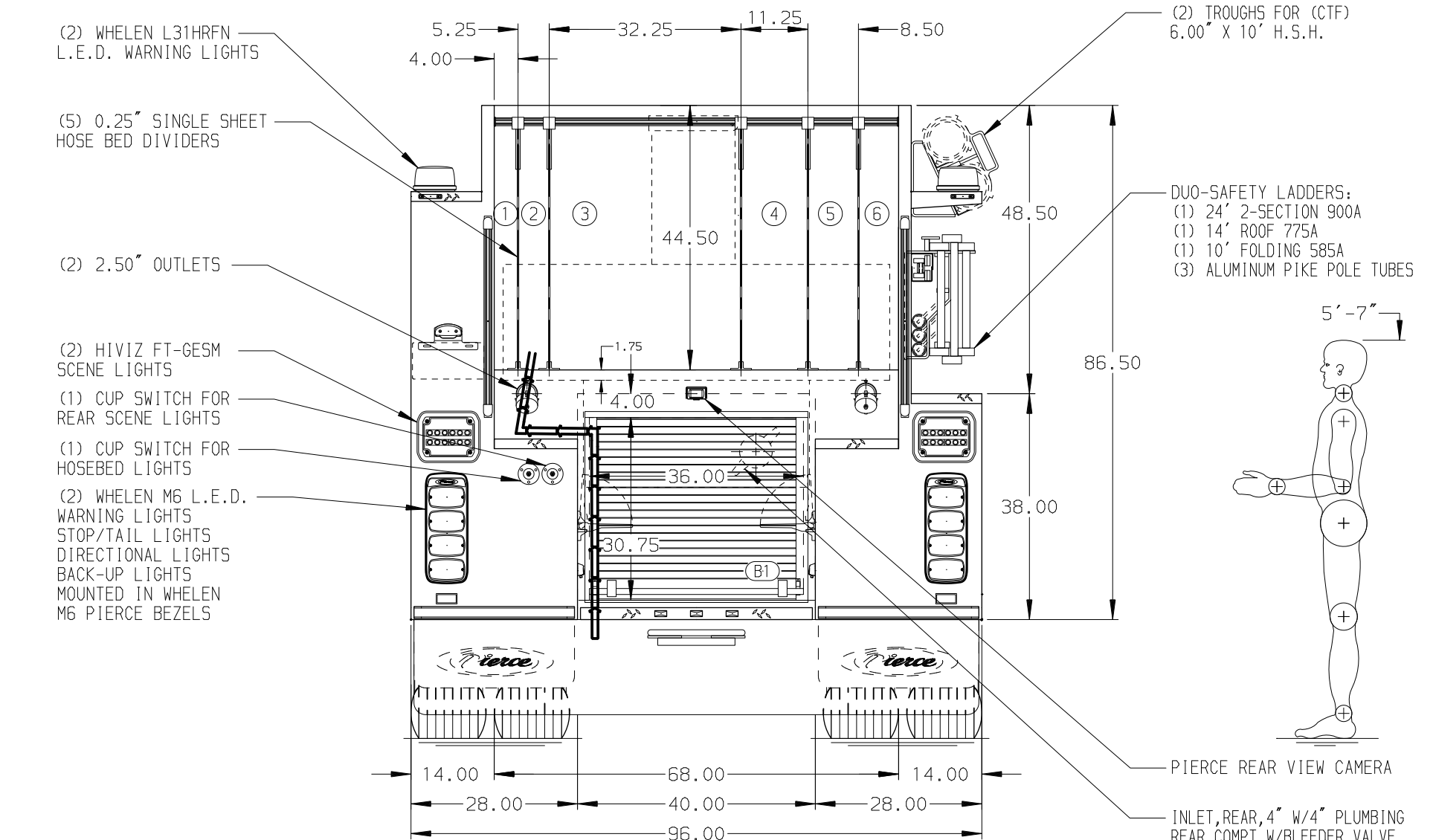
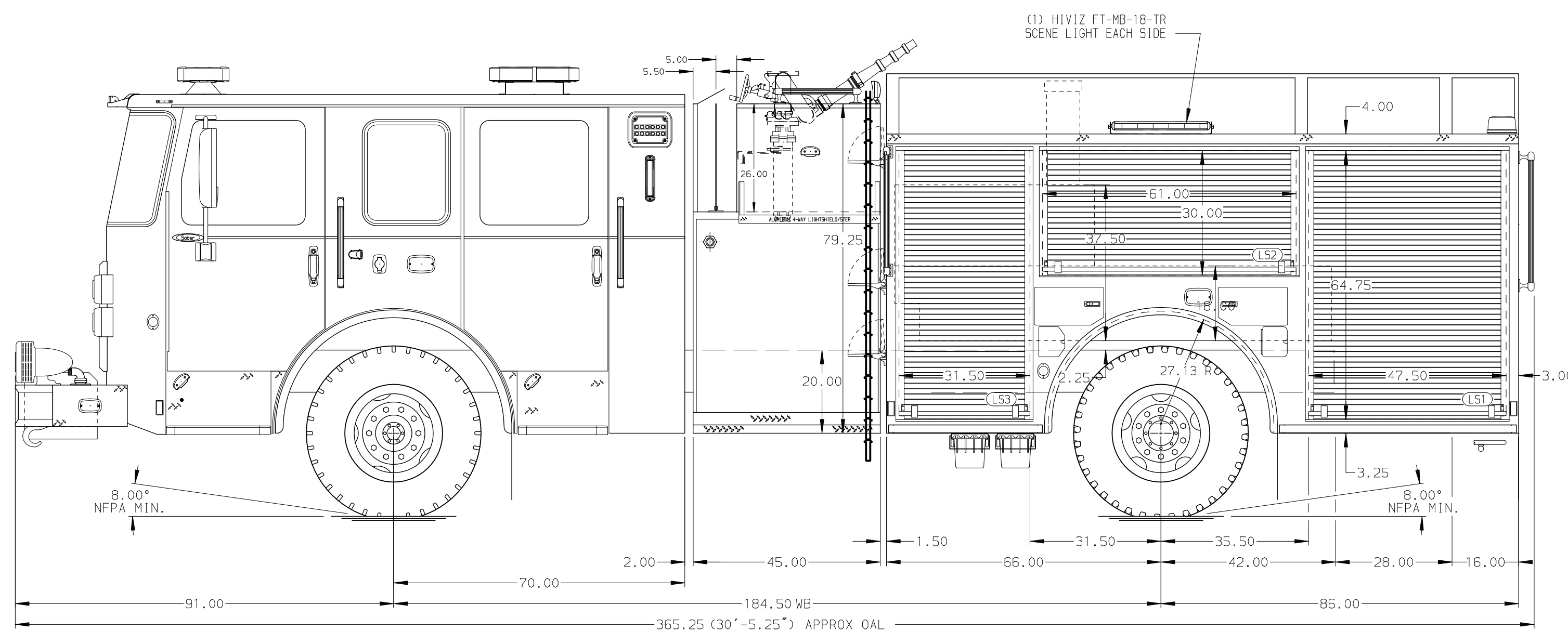
Foam Cell

Foam Cell Not Required

112.00
(9'-4")
APPROX
O.A.H.



HOSEBED CAPACITY	
BED 1	300' OF 1.75" D.J. POLY HOSE
BED 2	300' OF 2.50" D.J. POLY HOSE
BED 3	1000' OF 5.00" D.J. POLY HOSE
BED 4	500' OF 3.00" D.J. POLY HOSE
BED 5	OPEN
BED 6	OPEN



MAXIMUM O.A.H. 138.00" MAXIMUM O.A.L. 384.00"

NOTE
DIMENSIONS SHOWN ARE APPROXIMATE AND ARE SUBJECT TO MINOR DEVIATIONS AS MAY OCCUR OR BE NECESSARY IN CONSTRUCTION. MINOR DETAILS NOT SHOWN.

CUSTOMER APPROVAL				Pierce MANUFACTURING INC.		JOB NO.	37949
APPROVED BY: _____						SCALE	DATE
DATE: _____						1:24	
CHASSIS DATA				TITLE	Pierce Pumper Approval Drawing		
MAKE				FOR	Scottsdale Volunteer Fire Department		
PIERCE				DWG NO.	37949AD		
MODEL				SHEET NO.	1 OF 1		
REV	DATE	BY	CH				