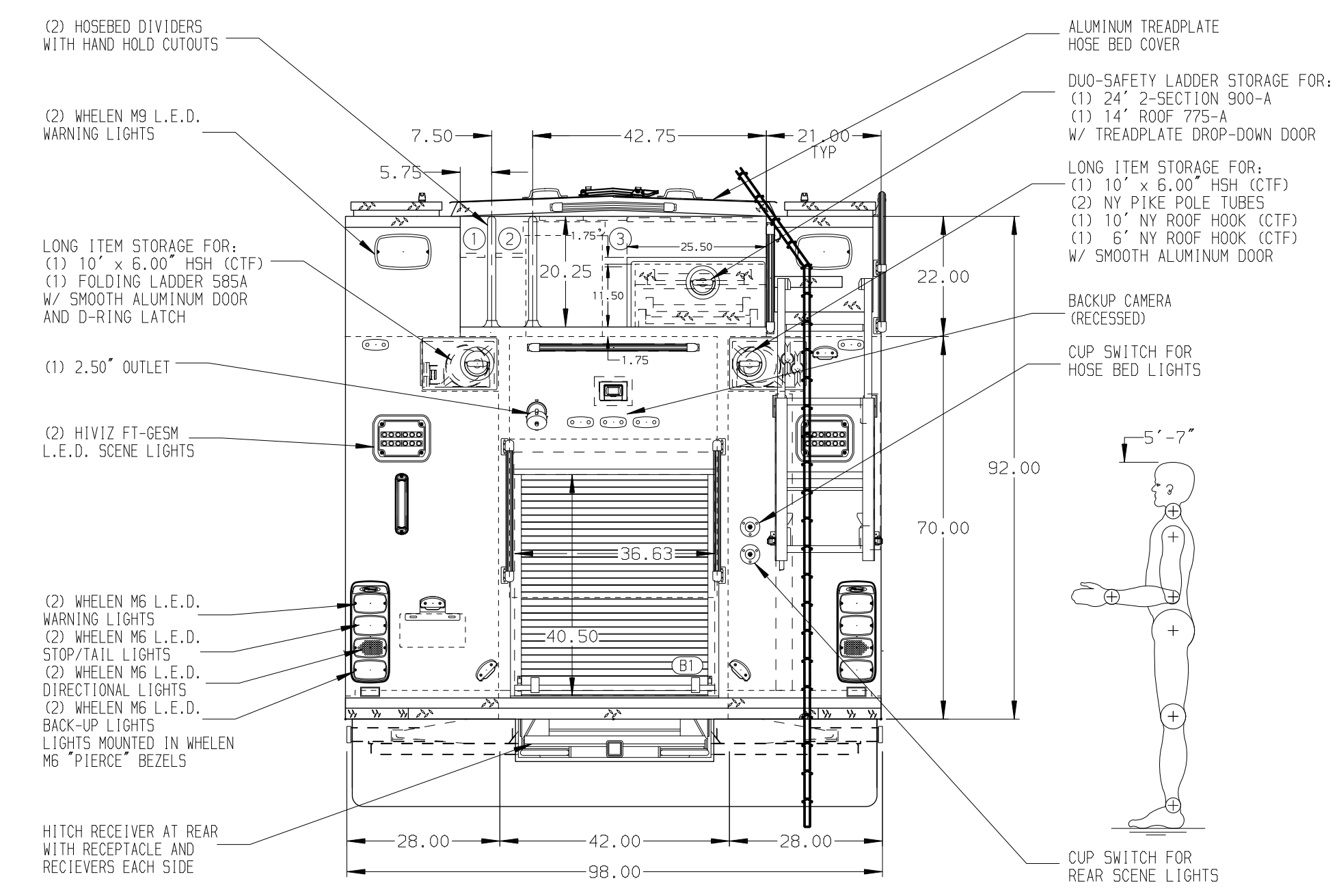
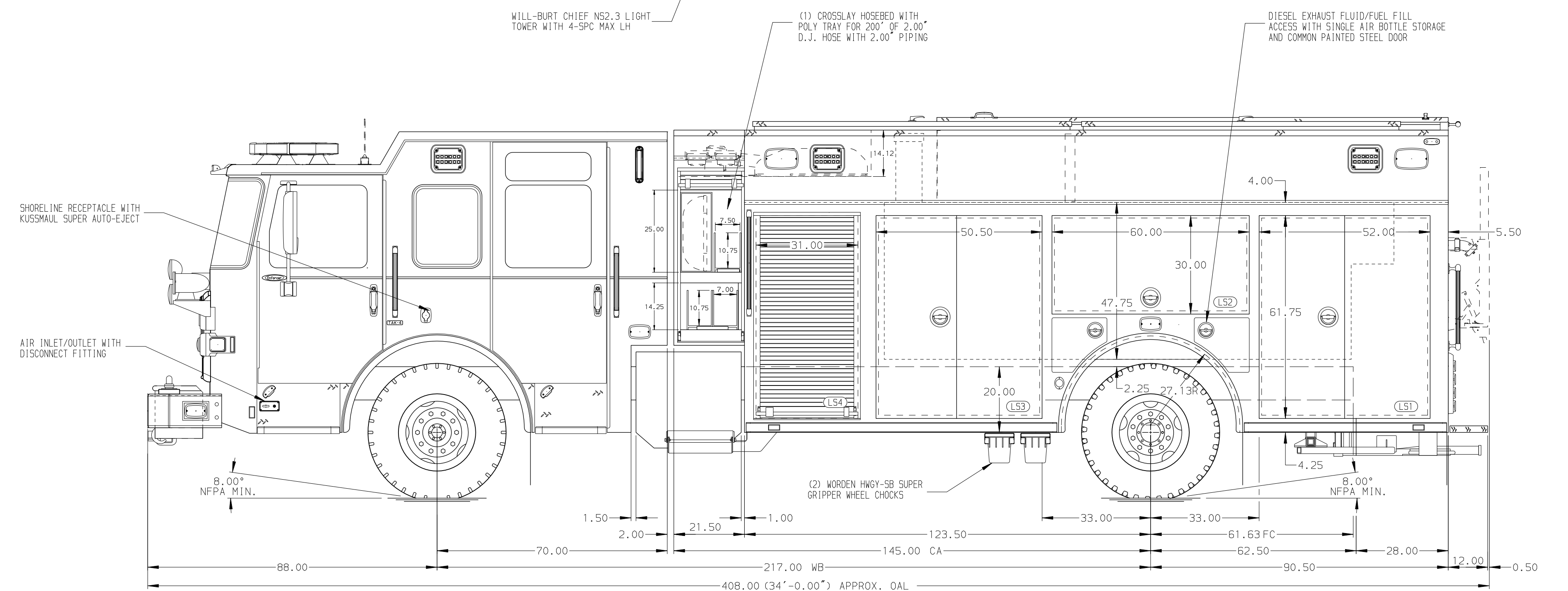


- HOSEBED CAPACITIES
- ① - 200' OF 2.50" D.J. POLY HOSE
  - ② - 200' OF 3.00" D.J. POLY HOSE
  - ③ - 1000' OF 5.00" D.J. POLY HOSE



ALUMINUM BODY      MAXIMUM O.A.L. 408.00"      MAXIMUM O.A.H. 125.00"      SIDE ROLL & FRONTAL IMPACT PROTECTION

**NOTE**  
DIMENSIONS SHOWN ARE APPROXIMATE AND ARE SUBJECT TO MINOR DEVIATIONS AS MAY OCCUR OR BE NECESSARY IN CONSTRUCTION. MINOR DETAILS NOT SHOWN.

- 1. ONE SPOT AUTOMATIC TIRE CHAINS TO BE PROVIDED AT REAR
- 2. ONE 9000# WARN PORTABLE RECEIVER TYPE WINCH
- 3. BATTERY CHARGER LOCATED BEHIND DRIVER'S SEAT
- 4. BATTERY CHARGER INDICATOR LOCATED ON DRIVER'S SEAT RISER
- 5. DUAL L.E.D. LIGHT STRIPS LOCATED IN HOSE BED
- 6. CIRCUIT BREAKER PANEL IN COMPARTMENT L53

REV	DATE	BY	CH	ENFORCER	CHASSIS DATA	TITLE
08AUG24	JJB	COS			1500 GPM, 1000G WATER TANK	
17JUN24	JJB	COS			214" PUC PUMPER, MUX	
13JUN24	JJB	TDC			FANNETT METAL FIRE & AMBULANCE	
26APR24	JJB	KLH			DRY RUN, PENNSYLVANIA	
					PIERCE	
					MODEL	
						DWG NO. 38862AD-SH1

**Pierce MANUFACTURING INC.**

JOB NO. 38862

SCALE 1:24 DATE

DRAWN BY JJB 23APR24

CHECKED BY KLH 23APR24

SHEET SIZE D SHEET NO. 1 OF 2