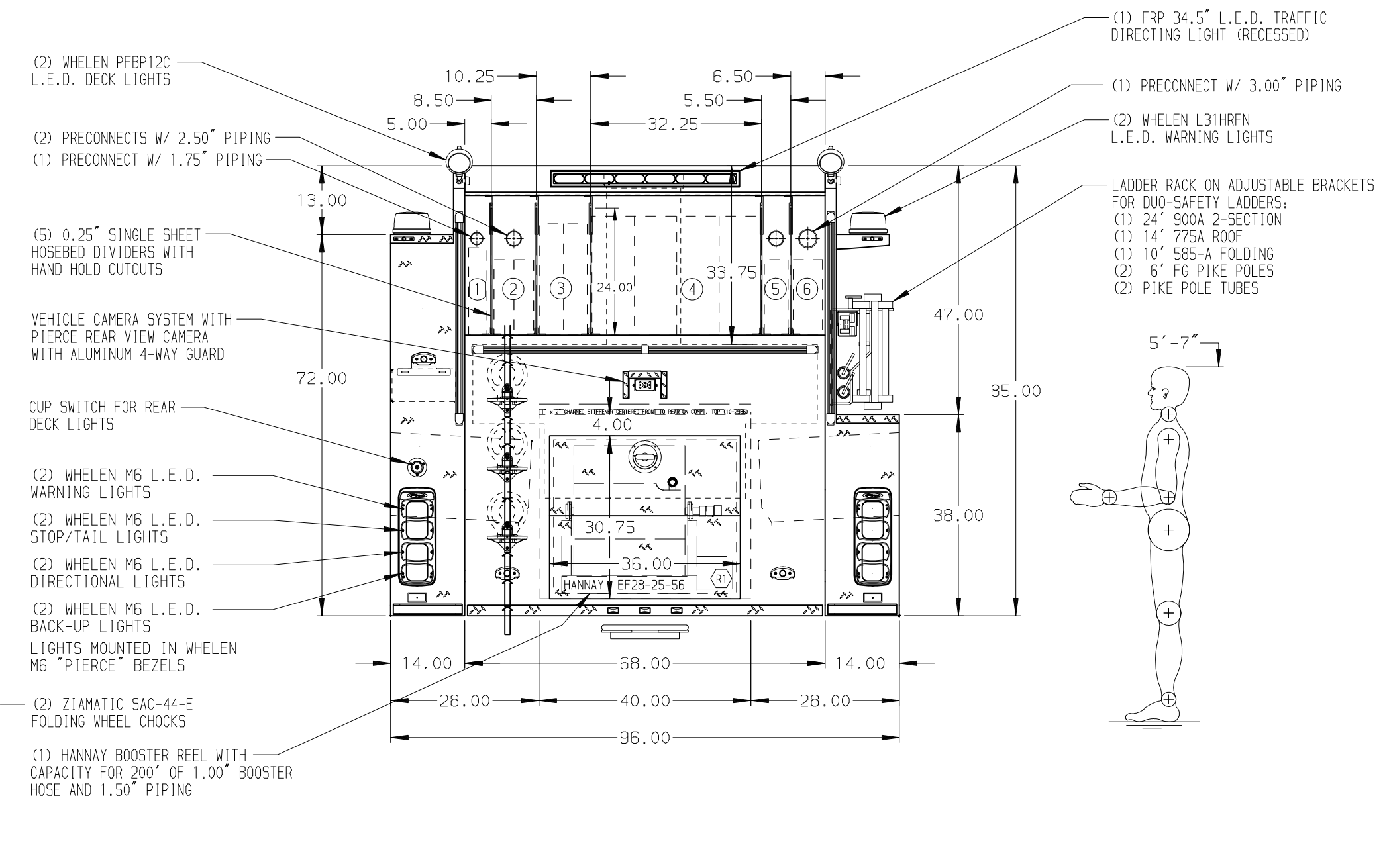
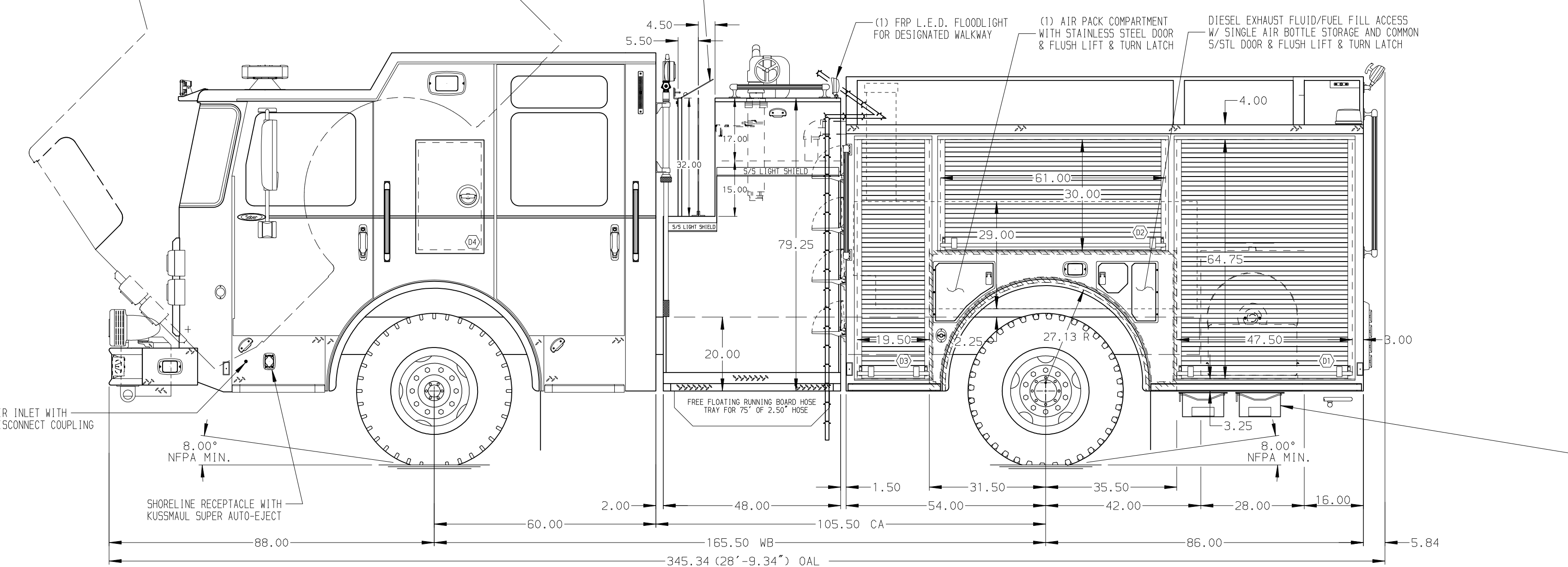


- HOSEBED CAPACITIES**
- ① - 200' OF 1.75\"/>



ALUMINUM BODY

MAXIMUM O.A.L. 348.00"

NOTE
DIMENSIONS SHOWN ARE APPROXIMATE AND ARE SUBJECT TO MINOR DEVIATIONS AS MAY OCCUR OR BE NECESSARY IN CONSTRUCTION. MINOR DETAILS NOT SHOWN.

25JUN18	JLA	-	PIERCE	CHASSIS DATA
01MAY18	GVH	NPA	MODEL	MAKE
REV	DATE	BY	CH	SABER FR

TITLE	1500-D-500 GAL WATER, 140" FH DS / LOW PS 45" SIDE CONTROL, (2) 1.5" CROSSLAYS, DELUGE, BOOSTER REEL
FOR	NANTICOKE CITY FIRE DEPARTMENT NANTICOKE, PENNSYLVANIA
DWG NO.	32275AD

JOB NO.	32275
SCALE	1:24
DATE	
DRAWN BY	GVH
CHECKED BY	NPA
SHEET SIZE	D
SHEET NO.	1 OF 1