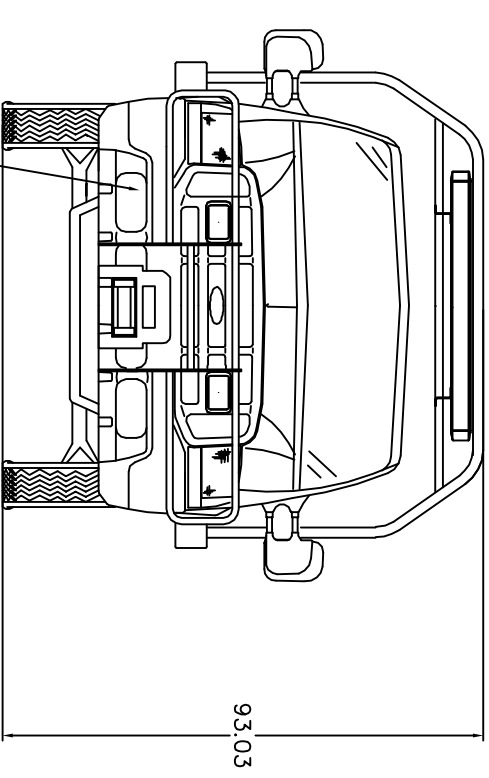
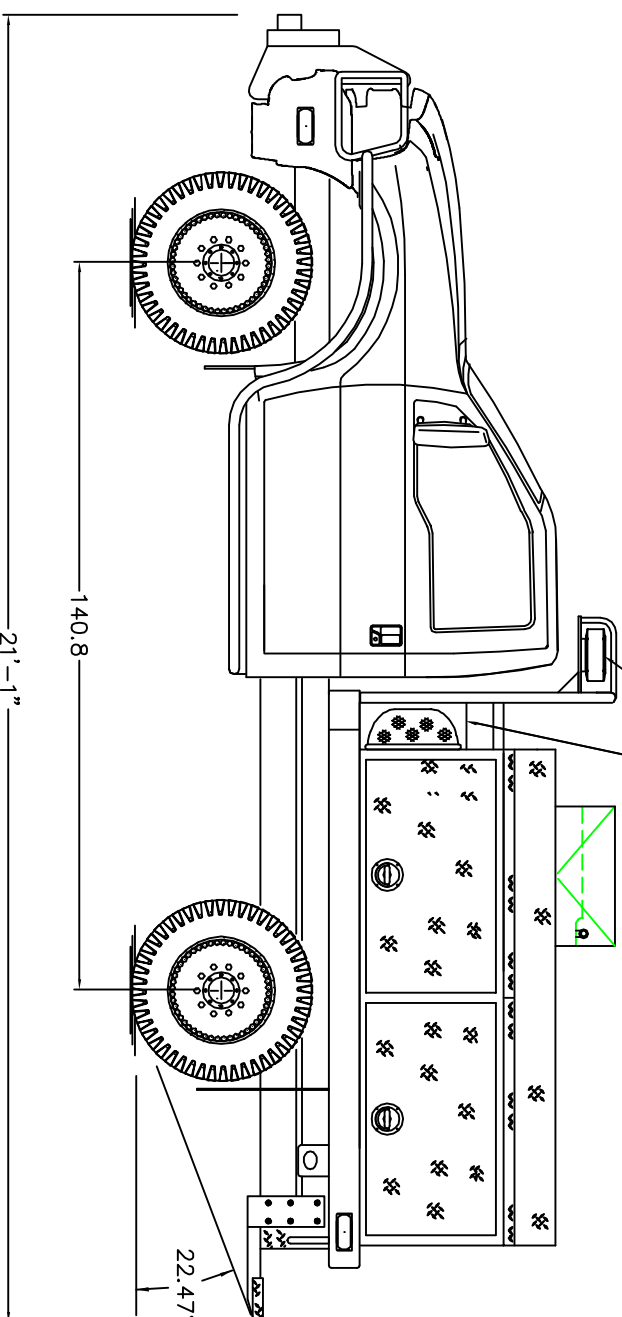


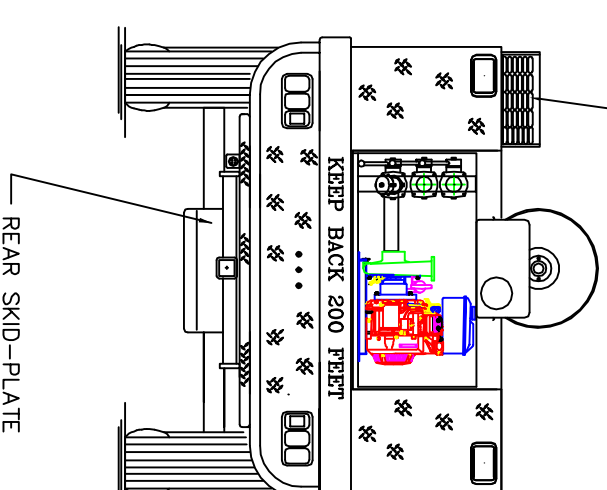
WHEEL L.E.D. LIGHT BAR WITH PROTECTIVE CAGE

TRANSVERSE STOKES BASKET (LONG TOOL) STORAGE



12 VOLT JUMPER CABLE RECEPTACLE

PRE-CONNECT HOSE BED



REAR SKID-PLATE

Firematic MANUFACTURING

JOB NO. 1999

DATE MAR. 2008

DRAWN BY E. ROSINI

APPROVED BY :

D. HORTON

250 GALLON POLY-TANK

HALE HPX-200-B-18 PUMP WITH STAINLESS STEEL PRO-KIT

AVAILABLE IN 2 DOOR, SUPER CAB & FOUR DOOR

NOTE

THIS DRAWING IS CONCEPTUAL AND IS NOT AN EXACT REPRESENTATION OF THE TRUCK DRAWN. DIMENSIONS SHOWN ARE APPROXIMATE AND ARE SUBJECT TO DEVIATION AS MAY OCCUR OR BE NECESSARY IN CONSTRUCTION.

SOME DETAILS NOT SHOWN.

CHASSIS DATA	
CHASSIS	FORD
MODEL	F-SERIES

BRAT 350 WILDLAND PUMPER
PENNSYLVANIA STATE CONTRACT
FORD F-350 CHASSIS